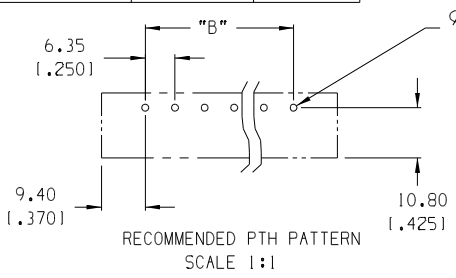
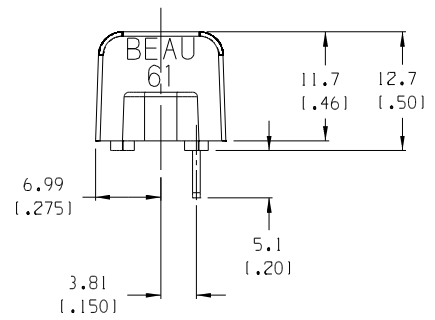
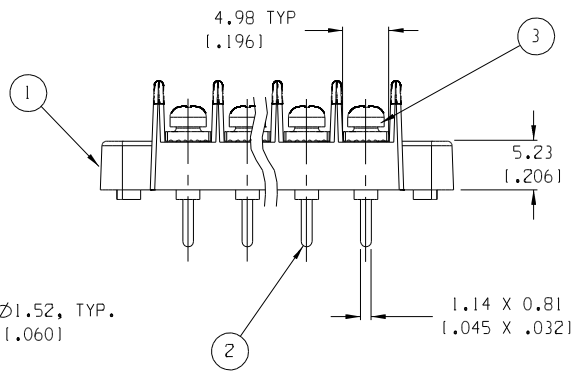
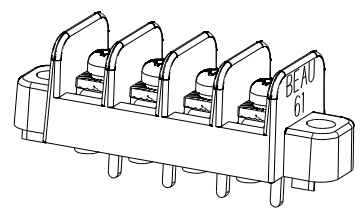
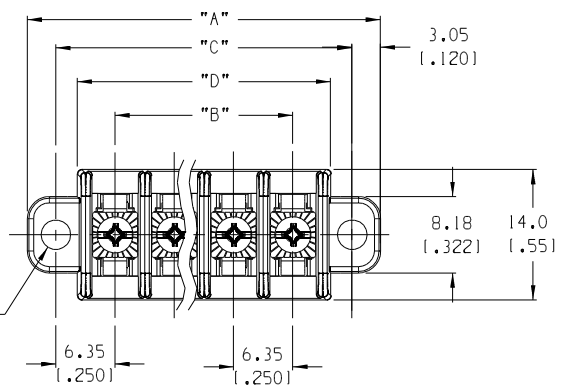


| | 10 | 9 | | 8 | | 7 | | 6 | 5 | 4 | 3 | 2 | 1 |
|---|--------------------|----------|--------|----------|---------|----------|---------|----------|--------|-----------------------|---|---|---|
| | QTY. OF CIRC. "XX" | DIM. "A" | | DIM. "B" | | DIM. "C" | | DIM. "D" | | MATERIAL # (-50 OPT.) | | | |
| F | 02 | 25.1 | 1.991 | 6.35 | 1.2501 | 19.05 | 1.7501 | 14.4 | 1.571 | 38610-7602 | | | |
| | 03 | 31.5 | 11.241 | 12.70 | 1.5001 | 25.40 | 11.0001 | 20.8 | 1.821 | 38610-7603 | | | |
| | 04 | 37.8 | 11.491 | 19.05 | 1.7501 | 31.75 | 11.2501 | 27.1 | 11.071 | 38610-7604 | | | |
| | 05 | 44.2 | 11.741 | 25.40 | 11.0001 | 38.10 | 11.5001 | 33.5 | 11.321 | 38610-7605 | | | |
| | 06 | 50.5 | 11.991 | 31.75 | 11.2501 | 44.45 | 11.7501 | 39.8 | 11.571 | 38610-7606 | | | |
| | 07 | 56.9 | 12.241 | 38.10 | 11.5001 | 50.80 | 12.0001 | 46.2 | 11.821 | 38610-7607 | | | |
| | 08 | 63.2 | 12.491 | 44.45 | 11.7501 | 57.15 | 12.2501 | 52.5 | 12.071 | 38610-7608 | | | |
| | 09 | 69.6 | 12.741 | 50.80 | 12.0001 | 63.50 | 12.5001 | 58.9 | 12.321 | 38610-7609 | | | |
| | 10 | 75.9 | 12.991 | 57.15 | 12.2501 | 69.85 | 12.7501 | 65.2 | 12.571 | 38610-7610 | | | |
| E | 11 | 82.3 | 13.241 | 63.50 | 12.5001 | 76.20 | 13.0001 | 71.6 | 12.821 | 38610-7611 | | | |
| | 12 | 88.6 | 13.491 | 69.85 | 12.7501 | 82.55 | 13.2501 | 77.9 | 13.071 | 38610-7612 | | | |
| | 13 | 95.0 | 13.741 | 76.20 | 13.0001 | 88.90 | 13.5001 | 84.3 | 13.321 | 38610-7613 | | | |
| | 14 | 101.3 | 13.991 | 82.55 | 13.2501 | 95.25 | 13.7501 | 90.6 | 13.571 | 38610-7614 | | | |
| | 15 | 107.7 | 14.241 | 88.90 | 13.5001 | 101.60 | 14.0001 | 97.0 | 13.821 | 38610-7615 | | | |
| | 16 | 114.0 | 14.491 | 95.25 | 13.7501 | 107.95 | 14.2501 | 103.3 | 14.071 | 38610-7616 | | | |
| | 17 | 120.4 | 14.741 | 101.60 | 14.0001 | 114.30 | 14.5001 | 109.7 | 14.321 | 38610-7617 | | | |
| | 18 | 126.7 | 14.991 | 107.95 | 14.2501 | 120.65 | 14.7501 | 116.0 | 14.571 | 38610-7618 | | | |
| | 19 | 133.1 | 15.241 | 114.30 | 14.5001 | 127.00 | 15.0001 | 122.4 | 14.821 | 38610-7619 | | | |
| D | 20 | 139.4 | 15.491 | 120.65 | 14.7501 | 133.35 | 15.2501 | 128.7 | 15.071 | 38610-7620 | | | |
| | 21 | 145.8 | 15.741 | 127.00 | 15.0001 | 139.70 | 15.5001 | 135.1 | 15.321 | 38610-7621 | | | |
| | 22 | 152.1 | 15.991 | 133.35 | 15.2501 | 146.05 | 15.7501 | 141.4 | 15.571 | 38610-7622 | | | |
| | 23 | 158.5 | 16.241 | 139.70 | 15.5001 | 152.40 | 16.0001 | 147.8 | 15.821 | 38610-7623 | | | |
| | 24 | 164.8 | 16.491 | 146.05 | 15.7501 | 158.75 | 16.2501 | 154.1 | 16.071 | 38610-7624 | | | |
| | 25 | 171.2 | 16.741 | 152.40 | 16.0001 | 165.10 | 16.5001 | 160.5 | 16.321 | 38610-7625 | | | |
| | 26 | 177.5 | 16.991 | 158.75 | 16.2501 | 171.45 | 16.7501 | 166.8 | 16.571 | 38610-7626 | | | |
| | 27 | 183.9 | 17.241 | 165.10 | 16.5001 | 177.80 | 17.0001 | 173.2 | 16.821 | 38610-7627 | | | |
| C | 28 | 190.2 | 17.491 | 171.45 | 16.7501 | 184.15 | 17.2501 | 179.5 | 17.071 | 38610-7628 | | | |
| | 29 | 196.6 | 17.741 | 177.80 | 17.0001 | 190.50 | 17.5001 | 185.9 | 17.321 | 38610-7629 | | | |
| | 30 | 202.9 | 17.991 | 184.15 | 17.2501 | 196.85 | 17.7501 | 192.2 | 17.571 | 38610-7630 | | | |
| | 31 | 209.3 | 18.241 | 190.50 | 17.5001 | 203.20 | 18.0001 | 198.6 | 17.821 | 38610-7631 | | | |
| | 32 | 215.6 | 18.491 | 196.85 | 17.7501 | 209.55 | 18.2501 | 204.9 | 18.071 | 38610-7632 | | | |



- NOTES:
1. MATERIAL: SEE TABLE
 2. FINISHES: SEE TABLE
 3. PRODUCT SPECIFICATION: NOT REQUIRED
 4. PACKAGING: NOT REQUIRED
 5. MATES WITH: NONE
 6. "XX" REFERS TO NUMBER OF CIRCUITS

| ITEM | QTY. | DESCRIPTION | MATERIAL | FINISH |
|------|------|---------------------------------|---------------|--------------------|
| 3 | XX | SCREW & WASHER, #3-48 (-50 OPT) | STEEL | ZN, CLEAR CHROMATE |
| 2 | XX | TERMINAL, PC, STYLE 5 | BRASS | TIN PLATE |
| 1 | 1 | BARRIER TERMINAL STRIP | THERMOPLASTIC | BLACK |

| | | | | | | | | |
|---|---|---|-------------------------------------|---|------------------------|---|--|---------------------------|
| EC NO. RELEASED DRW: CLY CH/K: APPR: | QUALITY SYMBOLS MAJOR CRITICAL SPC | GENERAL TOLERANCES: (UNLESS SPECIFIED) | SCALE 2:1 | DESIGN UNITS <input type="checkbox"/> mm <input checked="" type="checkbox"/> INCH | THIRD ANGLE PROJECTION | PROJECT NO. - - - | DIMENSIONS: <input checked="" type="checkbox"/> mm <input type="checkbox"/> INCH <input type="checkbox"/> mm ONLY | SHEET REV 1 OF 1 |
| | | 4 PLACES ±.0015 3 PLACES ±.005 2 PLACES ±.01 1 PLACE ±.3 ANGULAR: ±2° | DRAWN BY & DATE C. YORK 11-22-04 | CHECKED BY & DATE | APPROVED BY & DATE | TITLE: 6.35mm (.250") SR BTS ASSY, CLAMP WASHER SCREW | MOLEX INCORPORATED | MATERIAL NO. SEE CHART |
| REV A | DESCRIPTION | DRAFT WHERE APPLICABLE MUST REMAIN WITHIN DIMENSIONS | CAD FILENAME 615XX | THIS DRAWING CONTAINS INFORMATION THAT IS PROPRIETARY TO MOLEX INCORPORATED AND SHOULD NOT BE USED WITHOUT WRITTEN PERMISSION. | SIZE B | | | |