

4

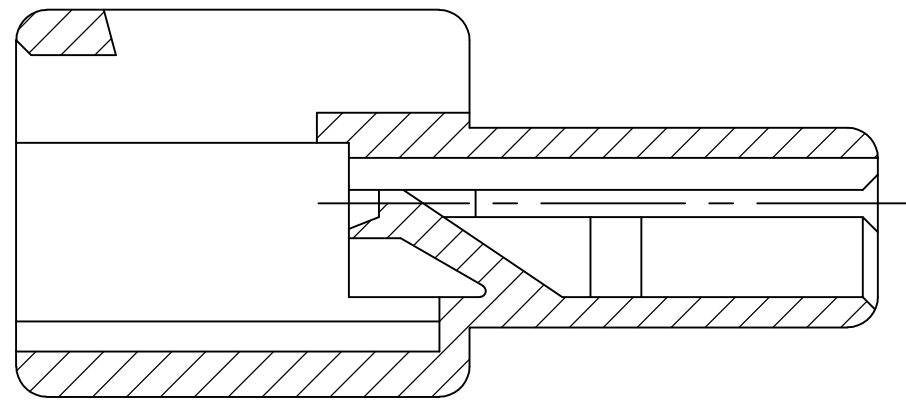
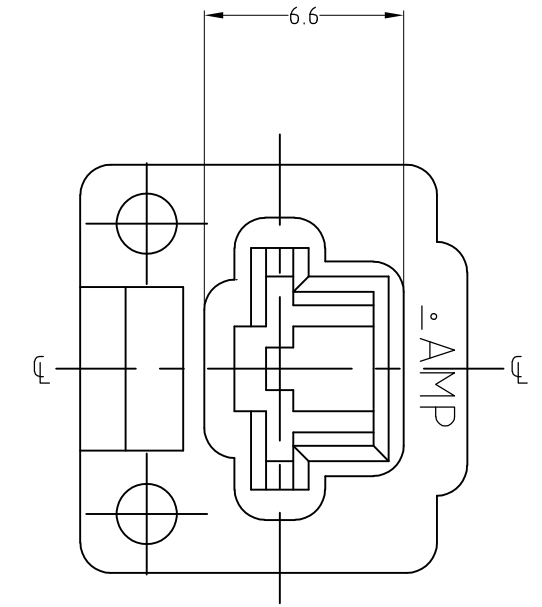
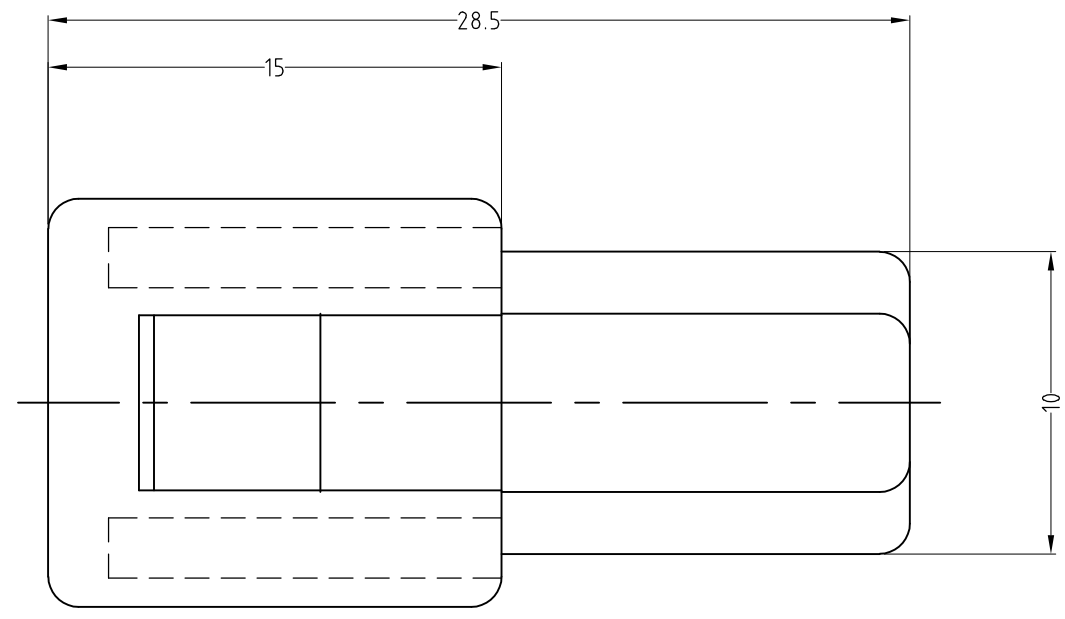
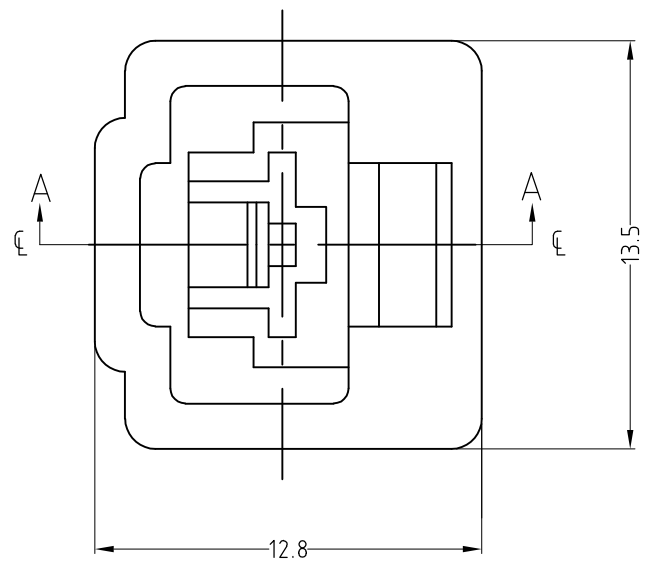
3

2

1

THIS DRAWING IS UNPUBLISHED. RELEASED FOR PUBLICATION
 © COPYRIGHT BY TYCO ELECTRONICS CORPORATION. ALL RIGHTS RESERVED.

LOC	DIST	REVISIONS			
P	LTR	DESCRIPTION	DATE	DWN	APVD
	0	RELEASED FJD0-0013-03	22FEB2003	T.H	M.S
	01	REVISED PER ECO-09-024717	02DEC09	KK	AEG



SECTION A-A

RED	174195-9
ORANGE	174195-8
YELLOW	174195-7
GRAY	174195-6
3 OBSOLETE	BLUE 174195-5
GREEN	174195-4
BROWN	174195-3
BLACK	174195-2
NATURAL	174195-1
COLOR	PARTS NUMBER

- NOTES.
 1. THE MATING PLUG HOUSING PART NUMBER : 174196
 2. APPLICABLE CONTACT PART NUMBER : 170349 , 170340, 170341
 3. OBSOLETE PARTS: OBSOLETE CIS STREAMLINING PER D.RENAUD/D.SINISI

THIS DRAWING IS A CONTROLLED DOCUMENT.		DWN : BH CHO 09JAN2003	tyco Electronics	Tyco Electronics AMP K.K. Kawasaki, Japan	
DIMENSIONS: MM	TOLERANCES UNLESS OTHERWISE SPECIFIED: ±0.3	CHK : BW KANG 09JAN2003		NAME 1 P CAP HOUSING 250 SERIES HOUSING LANCE CONNECTOR	
		APVD : CS LEE 09JAN2003	PRODUCT SPEC -	SIZE	CAGE CODE
MATERIAL 66 NYLON	FINISH -	WEIGHT -	APPLICATION SPEC -	A3	00779
CUSTOMER DRAWING			DRAWING NO 174195		RESTRICTED TO -
			SCALE 4:1	SHEET 1 OF 1	REV 01