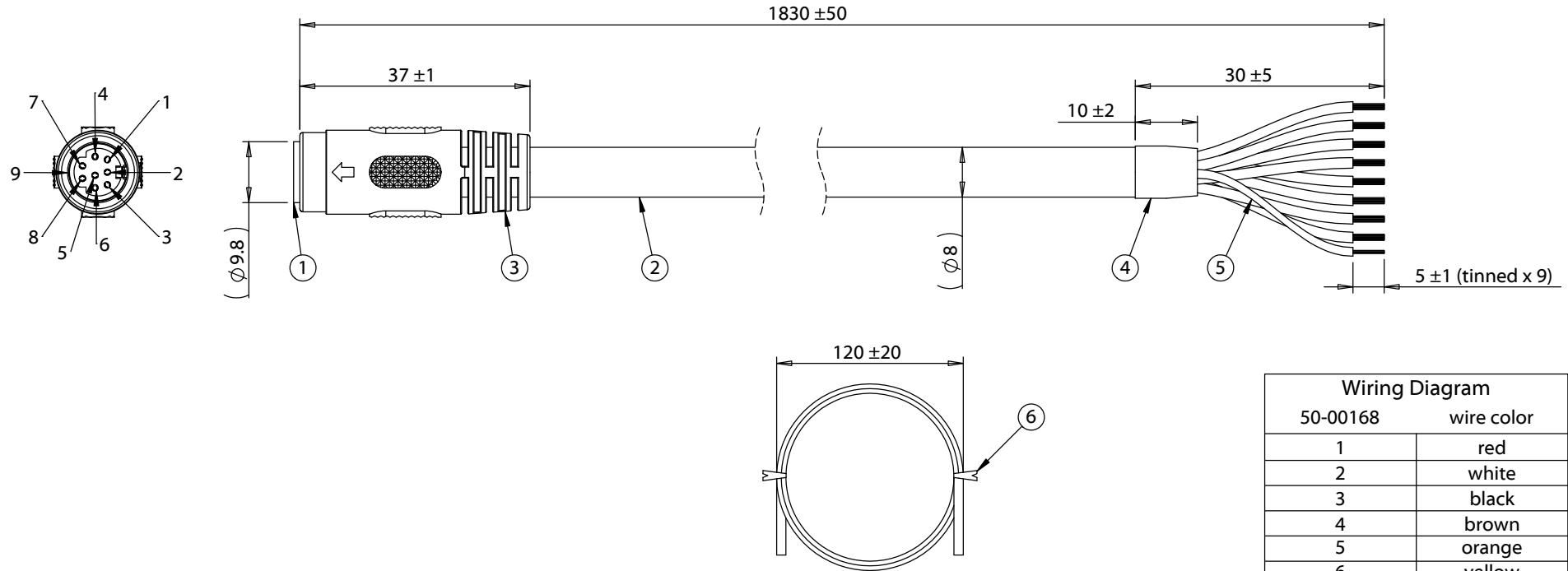


ITEM NO.	PART NUMBER	DESCRIPTION	QTY.	COMPONENT NOTES
1	50-00168	Connector, 8P mini DIN female, molding style, brass, nickel plating	1	
2	30-00028	Wire, 8C, 20 AWG, UL2464, 300 V, 80 C, 8.0 mm, shielded, VW-1, PVC, 79A	1	
3	24-00070	Overmold, jack, mini-DIN	1	black
4	Heat Shrink	Heat shrink tube, Ø 8.0, 105° C, L=10 ±2 mm	1	black
5	Heat Shrink	Heat shrink tube, Ø 1.0, 105° C, L=30 ±5 mm	1	black, covers drain wire
6	Tie	Twist tie	2	black



Wiring Diagram	
50-00168	wire color
1	red
2	white
3	black
4	brown
5	orange
6	yellow
7	green
8	blue
9	drain/black

Notes:
Functionally equivalent components may be substituted

Electrical requirement: 2 A, 12 Vdc

Revision:	Date:	Description:	Prepared: GL <small>Digitally signed by GL Date: 2017.06.08 17:17:41 -07'00'</small>	Notes:	<h1>TENSILITY</h1> <p>tel 1.541.323.3228 800 877.670.7118 fax 1.541.323.4202 web tensility.com</p>
A	3/08/2011	Initial release	Verified: AW <small>Digitally signed by AW Date: 2020.09.21 11:29:02 -07'00'</small>	RoHS and REACH compliant	
			Dimensions are in millimeters. Tolerances: X: ± 0.5 mm X.X: ± 0.3 mm X.XX: ± 0.05 mm	Function test: no open, no short circuit, no intermittent	
				Description:	Size: Part number:
				Cable, 1830 mm, 8P mini-DIN female 50-00168, to stripped tinned, 20 AWG, UL2464 30-00028, shielded	A 10-00431
					Scale: 1:1 Sheet 1 of 1