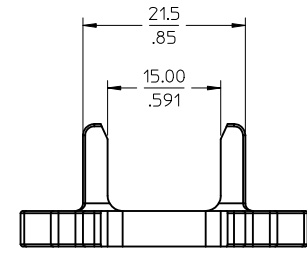
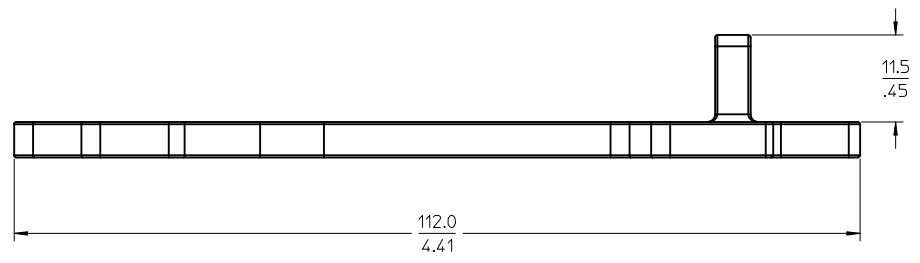
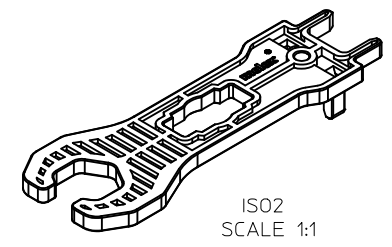
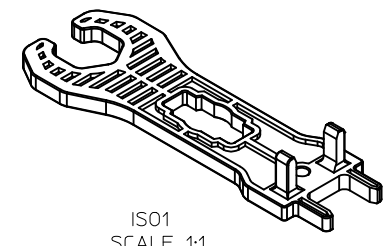
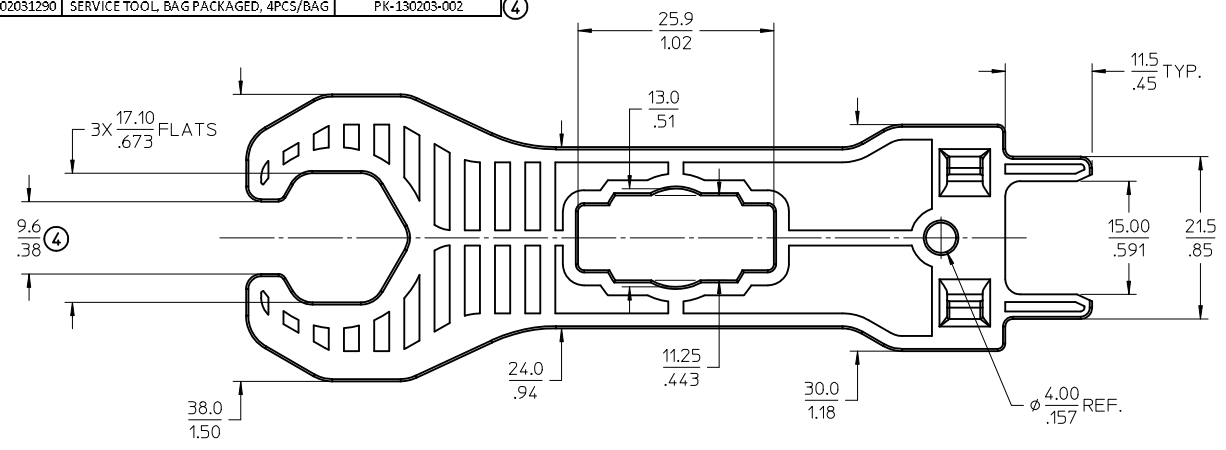


MATERIAL NUMBER	DESCRIPTION	PACKAGING SPECIFICATION
1302031250	SERVICE TOOL, BULK PACKAGED	PK-130203-001
1302031290	SERVICE TOOL, BAG PACKAGED, 4PCS/BAG	PK-130203-002

④



NOTES:

1. MATERIAL: POLYAMIDE 66 (PA66)
2. FINISH: BLACK
3. PRODUCT SPECIFICATION: PS-130244-001
- ④ 4. PACKAGING SPECIFICATION: SEE CHART
5. APPLICATION SPECIFICATION: AS-130244-001
6. USE WITH: 130244 SERIES HOUSING ASSEMBLIES

UPDATE PER FPR/ADD MATL#	QUALITY SYMBOLS
EC NO: WNA2011-0358	▽=0
DRWN:CLYORK 2011/01/05	▽=0
CHKD:	
APPR:DTITUS 2011/01/18	
REV	DESCRIPTION
4	

GENERAL TOLERANCES (UNLESS SPECIFIED)	
	MM/IN
4 PLACES ±	--- ±---
3 PLACES ±	--- ±.010
2 PLACES ±	0.25 ±.02
1 PLACE ±	0.5 ±---
ANGULAR ± 3°	
DRAFT WHERE APPLICABLE MUST REMAIN WITHIN DIMENSIONS	

DIMENSION STYLE	
MM/IN	
DRAWN BY	DATE
CLYORK	2010/04/15
CHECKED BY	DATE
DTITUS	2010/04/15
APPROVED BY	DATE
DTITUS	2010/05/07
MATERIAL NO.	
SEE CHART	
SIZE	
THIS DRAWING CONTAINS INFORMATION THAT IS PROPRIETARY TO MOLEX INCORPORATED AND SHOULD NOT BE USED WITHOUT WRITTEN PERMISSION	

SCALE	DESIGN UNITS	THIRD ANGLE PROJECTION
2:1	METRIC	
TITLE		
UNLOCK TOOL, PV SOLAR DC CONNECTOR		
MOLEX MOLEX INCORPORATED		SHEET NO.
DOCUMENT NO.		1 OF 1
SD-130203-001		