

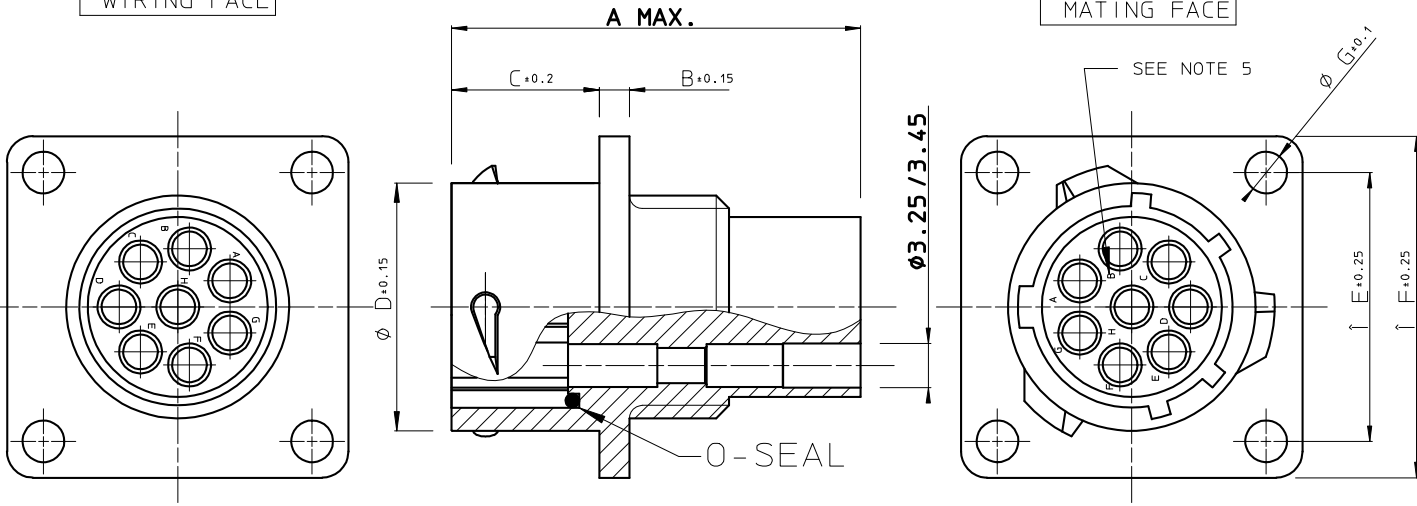
DIT IS ONZE EIGENDOM EN MAG NOCH NAGEMAAKT, HERDRUKT, OVERGEMAAKT AAN DERDEN, NOCH VOOR FABRIKATIE GEBRUIKT WORDEN, ZONDER ONZE SCHRIFTELIJKE TOELATING. BIJ NIET GEBRUIK IS DE TERUGZENDING VERPLICHT.

THIS IS OUR EXCLUSIVE PROPERTY. IT IS NOT TO BE COPIED, REPRINTED OR DISCLOSED TO A THIRD PARTY, NOR USED FOR MANUFACTURING WITHOUT OUR WRITTEN CONSENT, AND HAS TO BE RETURNED TO US IN CASE OF NO USAGE

REV.	DATE	DESCRIPTION	BY	C'K'D'
00	25.10.96	SIZE UTP0103PHVDE AND UTP0187PHVDEU ADDED	S.V.D.	
01	18.04.97	NOTE 5 ADDED	S.V.D.	
02	27.11.07	DELETE 'VDE' AT THE END OF PART NUMBER	R Ch	

WIRING FACE

MATING FACE



CAT. NUMBER	A MAX.	B+0.15	C+0.2	Ø D+0.15	E+0.25	F+0.25	Ø G+0.1	Ø H+0.1	Ø J+0.1
UTP0103PH	31.7	2.3	11.3	15.0	18.3	23.8	3.2	17.3	15.1
UTP0104PH	31.7	2.3	11.3	15.0	18.3	23.8	3.2	17.3	15.1
UTP0125PH	31.7	2.3	11.3	19.0	20.6	26.2	3.2	21.8	18.2
UTP0128PH	31.7	2.3	11.3	19.0	20.6	26.2	3.2	21.8	18.2
UTP01412PH	31.7	2.3	11.3	22.2	23.0	28.6	3.2	25.0	21.4
UTP01619PH	31.7	2.3	11.3	25.3	24.6	31.0	3.2	28.1	24.6
UTP0187PH	34.0	2.5	17.9	28.5	26.9	33.3	3.2	31.3	27.8
UTP01823PH	31.7	2.5	11.3	28.5	26.9	33.3	3.2	31.3	27.8
UTP02028PH	33.3	2.5	14.5	31.7	29.4	36.5	3.2	34.5	30.9
UTP02235PH	33.3	3.5	14.5	34.9	31.6	39.7	3.2	37.7	34.1
UTP02448PH	33.3	3.5	15.3	38.0	34.9	42.9	3.9	40.9	37.3

UTP0128PH AS SHOWN

## MATERIAL

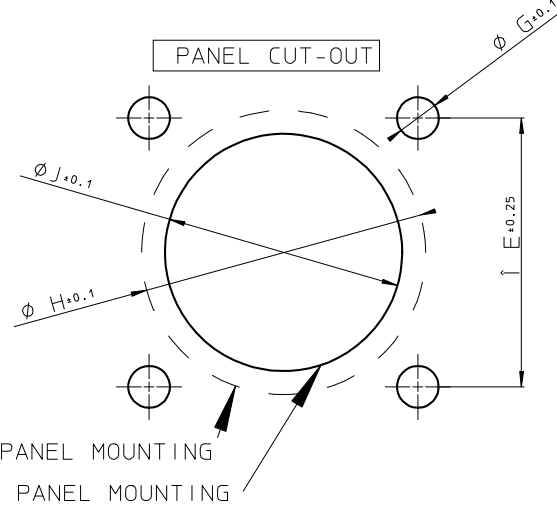
- BODY : GLASS-FILLED POLYESTER UL94-V0. COLOUR : BLACK
- O-SEAL : NEOPRENE

## PERFORMANCE CHARACTERISTICS


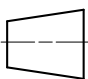
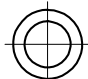
- OPERATING TEMPERATURE : -25 °C TO +125 °C.
- INSULATION RESISTANCE : 5000 MOhm MIN.
- TEST POTENTIAL : 2000 V EFF.
- DEGREE OF PROTECTION PER DIN 40050 : IP65

## NOTES

- CONNECTOR ACCEPTS Nr 16 STRIP FORMED PIN, MACHINED PIN AND SUBMINATURE PIN AND SOCKET CONTACTS
- CONTACTS TO BE ORDERED SEPARATELY : REFER TO TRIM - TRIO CATALOG.
- FOR OTHER INSERT ARRANGEMENTS SEE BS.C .201458,000
- MATING PART : UTP6----S
- THE CAVITY MARKING OF ALL SIZES IS WITH LETTERS, EXCEPT FOR THE ITEMS UTP0103PH AND UTP0187PH. THEY HAVE A NUMBERING.



GEN. ST.	01	02	03	04	05	06	07	08	0D	50	60	70	80	90																	
INT. ST.	10	11	12	13	14	18	20	31	32	33	34	38	39	40	42	43	44	45	46	48	56	70	72	73	75	76	81	82	83	84	88

1DEC ±0,2 1DEC 2DEC ±0,1 2DEC ANGLES ±1° HOEKEN	<b>APPR.</b>	<b>DATE</b>	<b>SIGN.</b>	MALE RECEPTACLE WATERPROTECTED
	DRAFT	21-12-95	S.Van Dessel	
WE RESERVE THE RIGHT TO CHANGE DIMENSIONS OR REQUIREMENTS WITHOUT PRIOR NOTICE.	<b>PROD. MGR.</b>			 <b>SOURIAU</b> Route Nationale 23 72470 CHAMPAGNE
	<b>PR.ENG.MGR.</b>			
	<b>PR.MGT.MGR.</b>			
ALL DIMENSIONS IN MM  	<b>REFERENCES / REFERENTIES</b>			BS, A , 201766 , 007 , 02 DRAWING NR. CUSTOMER DRAWING
ALLE AFMETINGEN IN MM				

BS, A , 201766 , 007 , 02