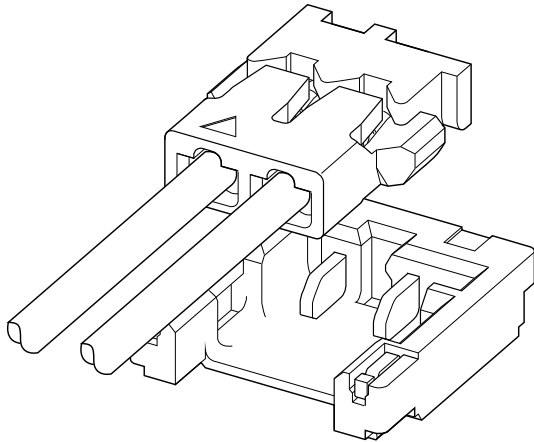




# ACHL CONNECTOR

1.2mm pitch/Disconnectable Crimp style connectors



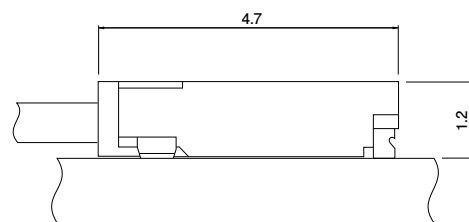
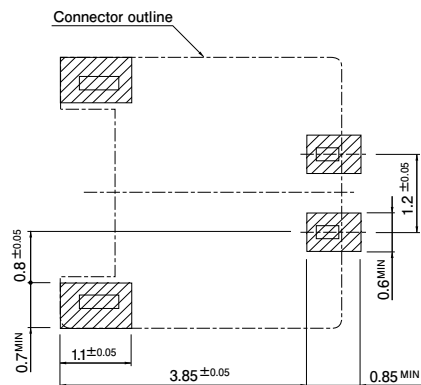
This connector is stacking height 1.2mm and 1.2mm pitch. In addition, in spite of it, rated current is 2A with wire size AWG#28. And about the crimping tool such as the applicator, it is possible to use that of ACH connector.

- Top entry but side feed type
- Connector for power supply
- Corresponding to sucking nozzle of pick and place machine

## Specifications

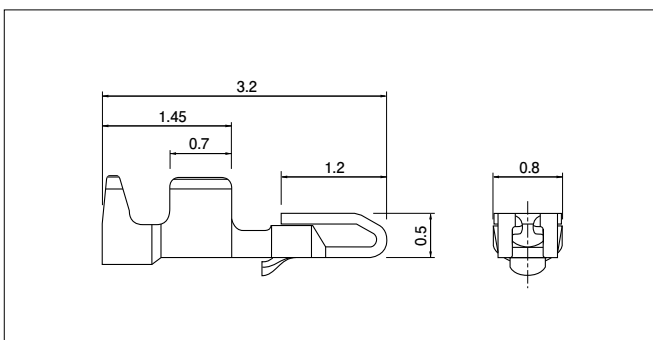
- Current rating: 2.0A AC, DC (AWG #28)
  - Voltage rating: 50V AC, DC
  - Temperature range: -25°C to +85°C  
(including temperature rise in applying electrical current)
  - Contact resistance: Initial value/10mΩ max.  
After environmental testing/20mΩ max.
  - Insulation resistance: 100MΩ min.
  - Withstanding voltage: 500V AC/minute
  - Applicable wire: Conductor size/AWG #30 to #28  
Insulation O.D./0.50 to 0.63mm
- \* Compliant with RoHS.  
\* Refer to "General Instruction and Notice when using Terminals and Connectors" at the end of this catalog.  
\* Contact JST for details.

## PC board layout and Assembly layout



- Note: 1. Tolerances are non-cumulative:  $\pm 0.05$ mm for all centers.  
2. The dimensions above should serve as a guideline. Contact JST for details.

## Contact



Model No.	Applicable wire		Insulation O.D. (mm)	Q'ty / reel
	mm <sup>2</sup>	AWG#		
SACHL-003G-P0.2	0.05 to 0.08	30 to 28	0.50 to 0.63	30,000

### Material and Finish

Copper alloy, nickel-undercoated, gold-plated

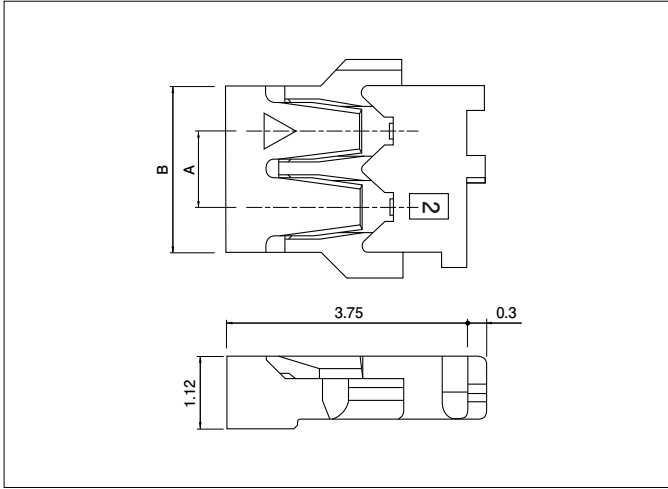
### RoHS compliance

Contact	Crimping machine	Applicator		
		Crimp applicator	Dies	Crimp applicator with dies
SACHL-003G-P0.2	AP-K2N	MKS-L-10-3	MK/SACH-003-02	APLMK SACH003-02

Note: Contact JST for fully automatic crimping applicator.

# ACHL CONNECTOR

## Housing



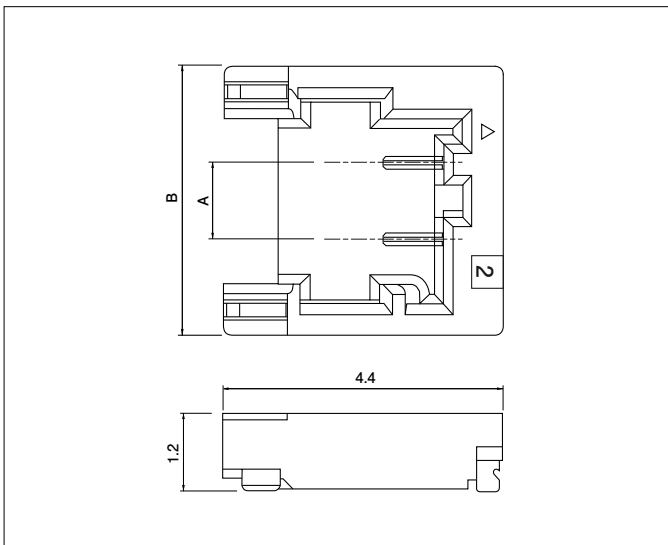
No. of circuits	Model No.	Dimensions (mm)		Q'ty / bag
		A	B	
2	ACHLR-02V-S	1.2	2.6	1,000

### Material

PBT, UL94V-0, natural

RoHS compliance

## Header



No. of circuits	Model No.	Dimensions (mm)		Q'ty / reel
		A	B	
2	BM02B-ACHLKS-GAN-ETF	1.2	4.2	5,000

### Material and Finish

Contact: Copper alloy, nickel-undercoated, gold-plated (nickel-stripe)

Housing: Heat resisting resin, UL94V-0, black

Reinforcement: Copper alloy, copper-undercoated, tin-plated (reflow treatment)

RoHS compliance This product displays (LF)(SN) on a label.

## Model number allocation

### Contact

**S ACHL - 003 G - P 0.2**

Form: S...Strip form

Series name

Applicable wire range: 003...AWG #30 to AWG #28

Surface finish: G...Nickel-undercoated gold-plated

Material: Copper alloy

Terminal size

### Housing

**ACHL R - 02 V - S**

Series name

Part name: Receptacle

No. of circuits: 2

Flammability: V...UL94V-0

Color: S...Natural

### Header

**BM 02 B - ACHLKS - GAN - ETF**

Shape of assembled product:  
BM...SMT top entry type

No. of circuits: 2

Part name: Header

Series name

Color: K...Black

Indication of clinch: S...Straight pin

Surface finish: GAN...Nickel-undercoated gold-plated (nickel stripe)

Packaging style: ETF...Embossed-taping