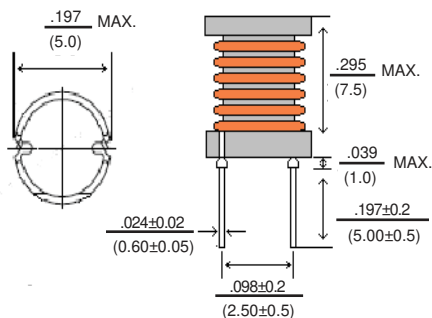


# RB05 Radial Bobbin Inductors



Dimensions: Inches  
(mm)



## Features

- Radial Ledded
- Small foot print
- Available in AMMO Pack
- Cross to Tokin SBPCP-47HY Series
- Optional UL Shrink Tube

## Electrical

**Inductance Range:** 1.2 $\mu$ h to 1000 $\mu$ h

**Tolerance:** 10% over entire range

**Test Frequency:** 10KHz/1mA

**Operating Temp:** -20°C ~ +105°C

**Isat:** Current at which the Inductance drops by 10% @ 85°C

## Test Equipment

**Inductance:** HP 4284A 10KHZ-1mA

**DCR:** HP4263B

**Current:** 11021 Current Source

## Physical

**Packaging:** 1000 / Ammo Pack

**Marking:** EIA Inductance Code

Allied Part Number	Inductance ( $\mu$ h) 10KHz-1mA	Tolerance (%)	DCR Max. ( $\Omega$ )	Isat (Amp)	Rated Current (Amp)	Rated Current (Reference Value)	
						$\Delta T=20^{\circ}\text{C}$	$\Delta T=40^{\circ}\text{C}$
RB05-1R2K-RC	1.2	10	0.021	4.16	3.00	3.02	4.26
RB05-1R5K-RC	1.5	10	0.024	3.67	2.85	2.85	4.01
RB05-2R2K-RC	2.2	10	0.029	3.20	2.60	2.59	3.66
RB05-2R7K-RC	2.7	10	0.032	2.92	2.45	2.47	3.48
RB05-3R3K-RC	3.3	10	0.037	2.70	2.30	2.28	3.21
RB05-3R9K-RC	3.9	10	0.040	2.51	2.15	2.18	3.08
RB05-4R7K-RC	4.7	10	0.043	2.30	2.10	2.10	2.96
RB05-5R6K-RC	5.6	10	0.049	2.04	1.95	1.99	2.80
RB05-6R8K-RC	6.8	10	0.052	1.93	1.90	1.92	2.71
RB05-8R2K-RC	8.2	10	0.059	1.74	1.70	1.81	2.55
RB05-100K-RC	10	10	0.067	1.60	1.60	1.69	2.38
RB05-120K-RC	12	10	0.076	1.41	1.40	1.59	2.24
RB05-150K-RC	15	10	0.087	1.26	1.25	1.48	2.09
RB05-220K-RC	22	10	0.123	1.04	1.05	1.24	1.75
RB05-270K-RC	27	10	0.137	0.96	0.96	1.18	1.66
RB05-330K-RC	33	10	0.169	0.87	0.87	1.06	1.50
RB05-390K-RC	39	10	0.213	0.79	0.79	1.95	1.33
RB05-470K-RC	47	10	0.267	0.73	0.73	0.84	1.19
RB05-560K-RC	56	10	0.350	0.66	0.65	0.65	0.87
RB05-680K-RC	68	10	0.397	0.60	0.60	0.61	0.81
RB05-820K-RC	82	10	0.519	0.55	0.53	0.53	0.71
RB05-101K-RC	100	10	0.584	0.50	0.50	0.50	0.67
RB05-121K-RC	120	10	0.657	0.45	0.45	0.47	0.63
RB05-151K-RC	150	10	0.878	0.41	0.41	0.41	0.55
RB05-221K-RC	220	10	1.10	0.33	0.33	0.36	0.48
RB05-271K-RC	270	10	1.30	0.30	0.30	0.34	0.45
RB05-331K-RC	330	10	1.80	0.27	0.27	0.29	0.39
RB05-391K-RC	390	10	2.00	0.25	0.25	0.26	0.36
RB05-471K-RC	470	10	2.80	0.23	0.22	0.22	0.31
RB05-561K-RC	560	10	3.10	0.21	0.21	0.21	0.29
RB05-681K-RC	680	10	3.50	0.19	0.19	0.20	0.28
RB05-821K-RC	820	10	5.30	0.17	0.16	0.16	0.22
RB05-102K-RC	1000	10	6.00	0.16	0.15	0.15	0.21

All specifications subject to change without notice.