

DRAWING MADE IN AMERICAN PROJECTION

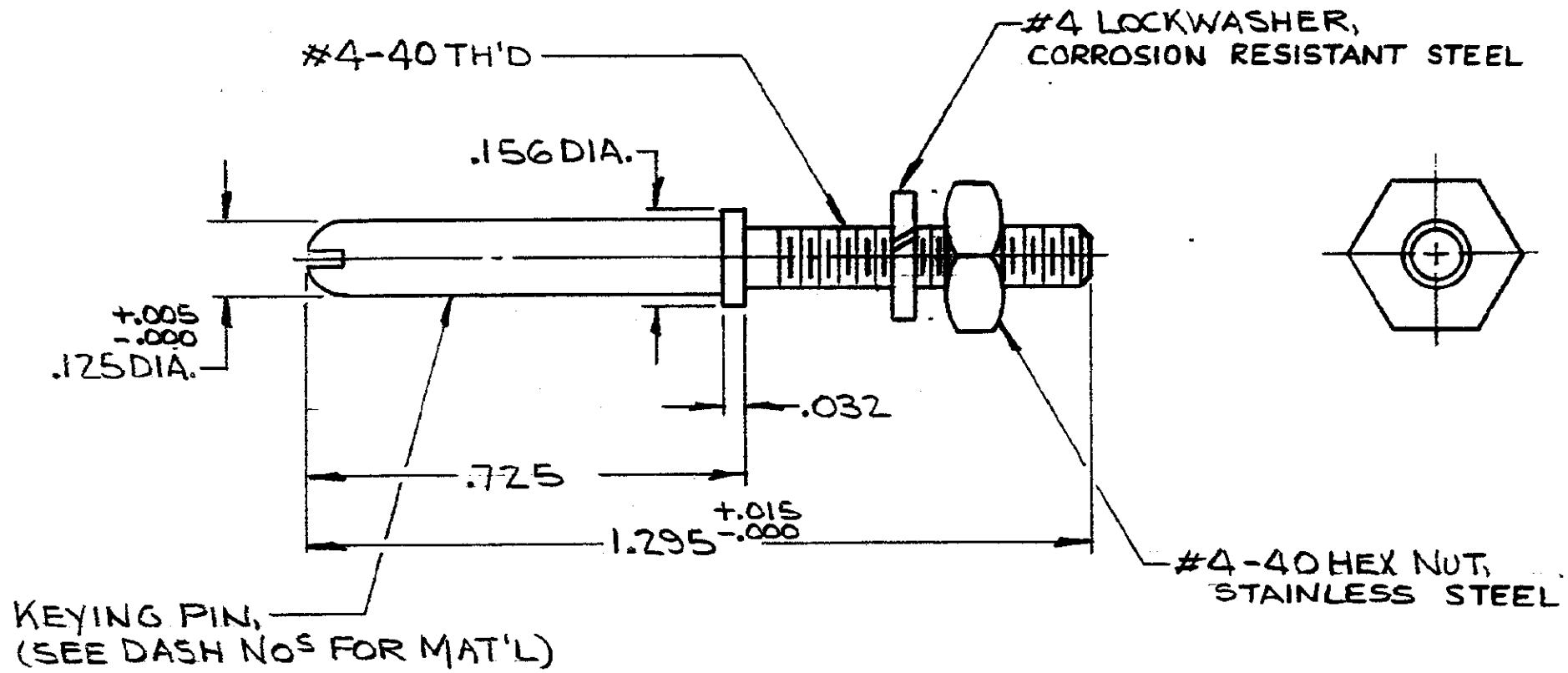
© 1971 BY AMP INCORPORATED. ALL RIGHTS RESERVED. AMP PRODUCTS COVERED BY PATENTS AND/OR PATENTS PENDING.

Unpublished copy not to be reproduced without written permission of AMP Incorporated.

REVISIONS				
ZONE	LTR	DESCRIPTION	DATE	APPROVED
	0	REDRAWN & RELEASED, WAS 5041-435	9/24/71	W/O/S
	A	REV. PER ECN D-644	10-9-75	W/O/S
	B	REV. PER ECN G-117	AWZ 3/15/79	DK
	C	REV PER ECN H-017	5-21-82	W/O/S
	D	OBS-2; ECN DF-0364	MS 10-15-88	W/O/S

205694-1 1. AS SHOWN
 2. MAT'L-BRASS, ZINC
 PLATED PER QQ-Z-325 TYPE II, CLASS 3.

205694-2 [REDACTED] STEEL,



1. PARTS PACKAGED UNASSEMBLED.

UNLESS OTHERWISE SPECIFIED DIMENSIONS ARE IN INCHES. TOLERANCES ON: DECIMALS ±.005 ANGLES ±	CONTRACT NO.		AMP INCORPORATED HARRISBURG, PENNSYLVANIA	
	DR	9/24/71	NAME PIN ASSY, KEYING, LONG "HDR" SERIES	
	APPD	9/28/71	SIZE	CODE IDENT NO.
	REL	9/29/71	B	00779
MATERIAL SEE CALLOUT	OSGN APPD	NUMBER	205694	
OTHER APPD	SCALE	SHEET		1 OF 1