

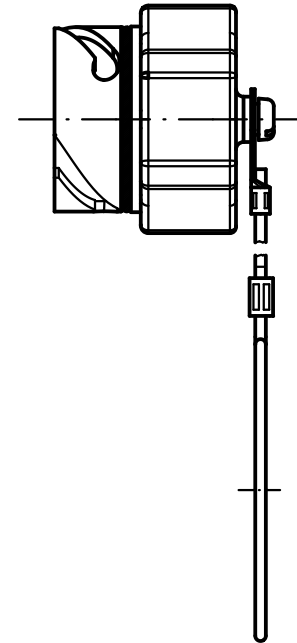
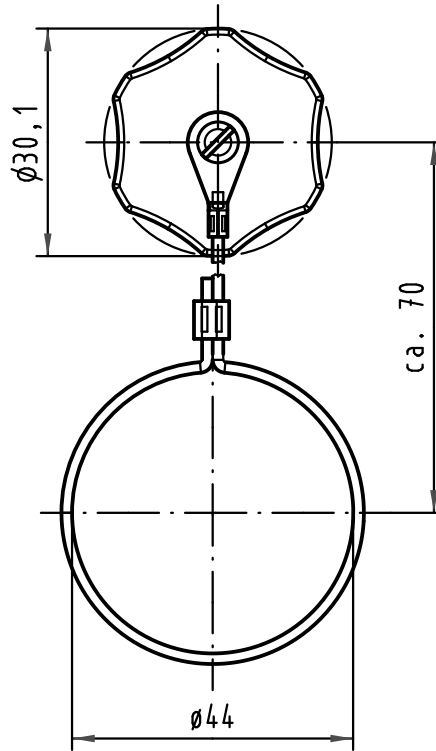
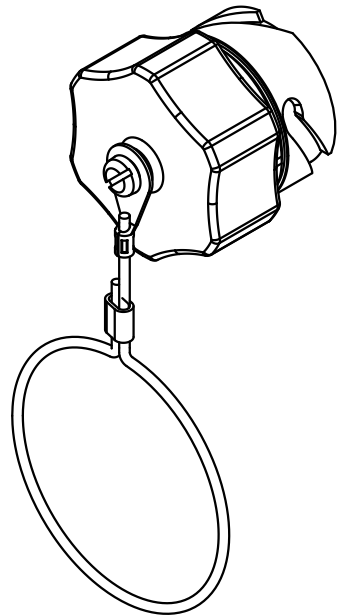
1 2 3 4 5 6

A

B

C

D



|   |          |       |                                   |             |                          |  |  |  |
|---|----------|-------|-----------------------------------|-------------|--------------------------|--|--|--|
| All Dimensions in mm<br>Original Size DIN A 4 |          |       | Techn. Character.                 |             |                          | Nicht tolerierte Maßel Free size tolerances                            |  |  |
|   |          |       | Dat.                              | Name        | Maßstab/Scale<br><br>1:1 | <b>Han-Max-AK</b><br>Abdeckkappe für Steckseite<br>cover for male side |  |  |
|   |          |       | Detail.                           | 02.12.04 Ho |                          |  |  |  |
|   |          |       | Insp.                             | SP          |                          |  |  |  |
| 36035   | 29.04.10 | Hage. | Stand.                            |             |                          |  |  |  |
| 411526  | 17.03.05 | DY    | HARTING Electronics GmbH & Co. KG |             |                          | <b>TB 09 15 300 5401</b>   |  |  |
| 410780  |          |       | D-32339 ESPELKAMP                 |             |                          |  |  |  |
| Mod.  | Dat.     | Name  |                                   |             |                          |  |  |  |