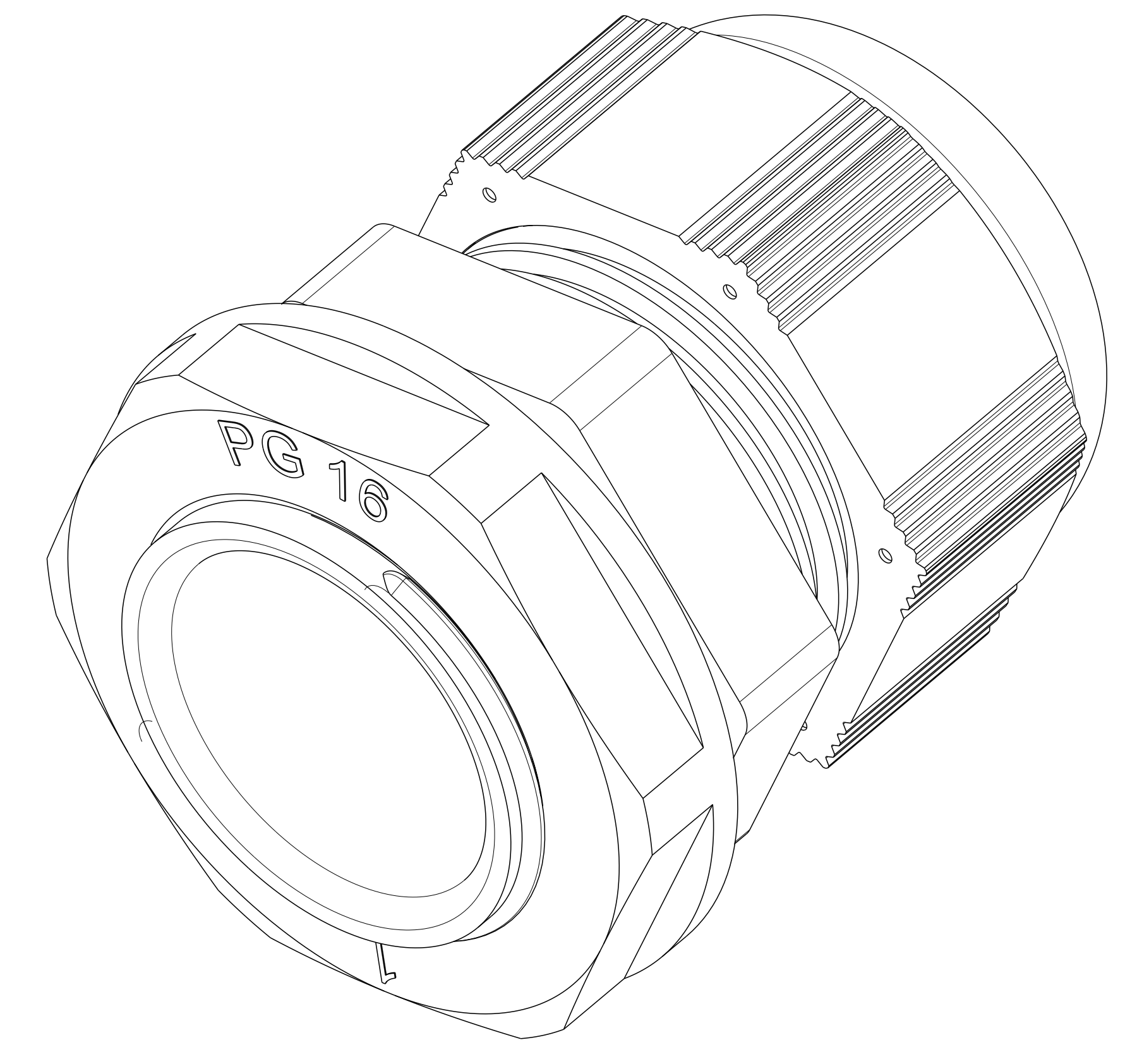
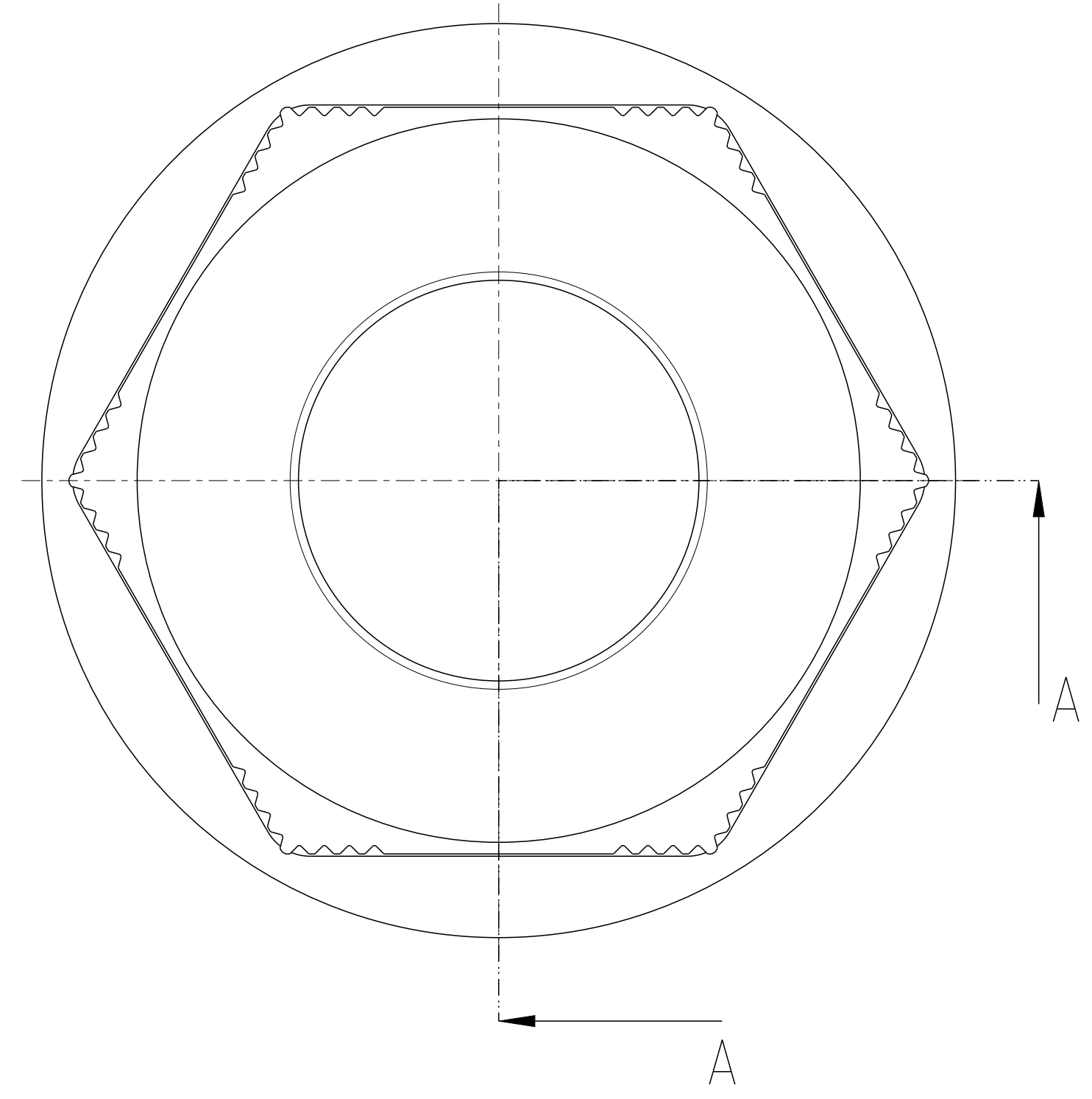
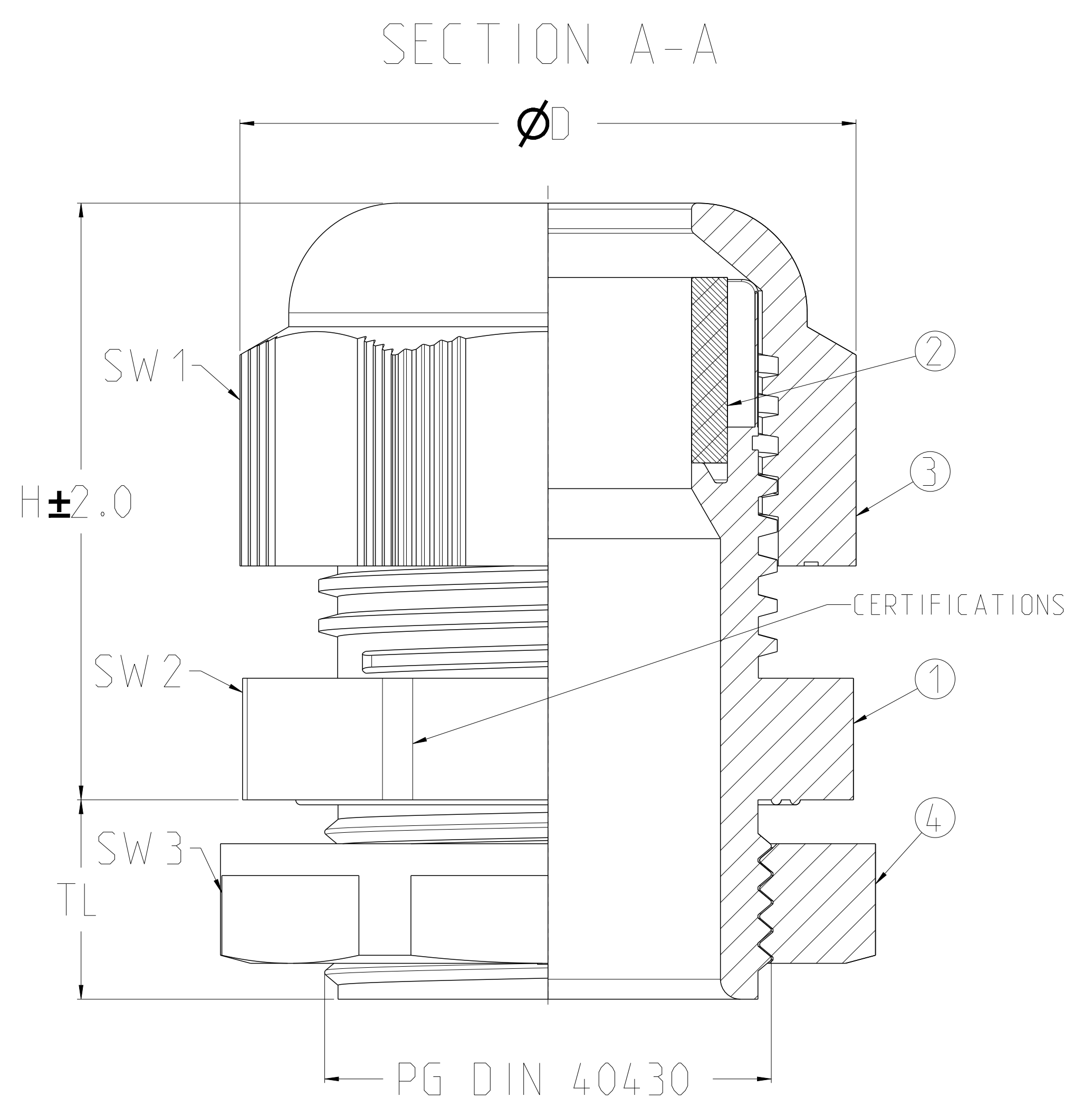


REVISIONS			
REV	DATE	BY	APPD
A	04FEB2022	KR	RM



TCPN	TE Product Type (Entrelec)	RAL NUMBER	COLOR	UL RATING	CERTIFICATIONS	PG DIN 40430	TL	H	Ø	SW 1	SW 2	SW 3	Clamping Range	
													Ø min	max
1SNG626142R0000	EP-SGL-PG9-LGR-A	7035	L.Grey	TYPE 4X	cURus - cCSAus	PG 9	8.0	25.4	21.7	19	19	22	2.0	6.0
1SNG626143R0000	EP-SGL-PG9-GR-A	7001	Grey	TYPE 4X	cURus - cCSAus	PG 9	8.0	25.4	21.7	19	19	22	2.0	6.0
1SNG626144R0000	EP-SGL-PG9-BL-A	9005	Black	TYPE 4X	cURus - cCSAus	PG 9	8.0	25.4	21.7	19	19	22	2.0	6.0
1SNG626145R0000	EP-SGL-PG9-LGR-B	7035	L.Grey	TYPE 4X	cURus - cCSAus	PG 9	8.0	25.4	21.7	19	19	22	4.0	8.0
1SNG626146R0000	EP-SGL-PG9-GR-B	7001	Grey	TYPE 4X	cURus - cCSAus	PG 9	8.0	25.4	21.7	19	19	22	4.0	8.0
1SNG626147R0000	EP-SGL-PG9-BL-B	9005	Black	TYPE 4X	cURus - cCSAus	PG 9	8.0	25.4	21.7	19	19	22	4.0	8.0
1SNG626148R0000	EP-SGL-PG11-LGR-A	7035	L.Grey	TYPE 4X	cURus - cCSAus	PG 11	8.0	30.2	25.0	22	22	24	3.0	7.0
1SNG626149R0000	EP-SGL-PG11-GR-A	7001	Grey	TYPE 4X	cURus - cCSAus	PG 11	8.0	30.2	25.0	22	22	24	3.0	7.0
1SNG626150R0000	EP-SGL-PG11-BL-A	9005	Black	TYPE 4X	cURus - cCSAus	PG 11	8.0	30.2	25.0	22	22	24	3.0	7.0
1SNG626151R0000	EP-SGL-PG11-LGR-B	7035	L.Grey	TYPE 4X	cURus - cCSAus	PG 11	8.0	30.2	25.0	22	22	24	5.0	10.0
1SNG626152R0000	EP-SGL-PG11-GR-B	7001	Grey	TYPE 4X	cURus - cCSAus	PG 11	8.0	30.2	25.0	22	22	24	5.0	10.0
1SNG626153R0000	EP-SGL-PG11-BL-B	9005	Black	TYPE 4X	cURus - cCSAus	PG 11	8.0	30.2	25.0	22	22	24	5.0	10.0
1SNG626154R0000	EP-SGL-PG135-LGR-A	7035	L.Grey	TYPE 4X	cURus - cCSAus	PG 13.5	10.0	30.4	27.0	24	24	27	5.0	9.0
1SNG626155R0000	EP-SGL-PG135-GR-A	7001	Grey	TYPE 4X	cURus - cCSAus	PG 13.5	10.0	30.4	27.0	24	24	27	5.0	9.0
1SNG626156R0000	EP-SGL-PG135-BL-A	9005	Black	TYPE 4X	cURus - cCSAus	PG 13.5	10.0	30.4	27.0	24	24	27	5.0	9.0
1SNG626157R0000	EP-SGL-PG135-LGR-B	7035	L.Grey	TYPE 4X	cURus - cCSAus	PG 13.5	10.0	30.4	27.0	24	24	27	6.0	12.0
1SNG626158R0000	EP-SGL-PG135-GR-B	7001	Grey	TYPE 4X	cURus - cCSAus	PG 13.5	10.0	30.4	27.0	24	24	27	6.0	12.0
1SNG626159R0000	EP-SGL-PG135-BL-B	9005	Black	TYPE 4X	cURus - cCSAus	PG 13.5	10.0	30.4	27.0	24	24	27	6.0	12.0
1SNG626160R0000	EP-SGL-PG16-LGR-A	7035	L.Grey	TYPE 4X	cURus - cCSAus	PG 16	10.0	29.9	30.9	27	27	30	7.0	12.0
1SNG626161R0000	EP-SGL-PG16-GR-A	7001	Grey	TYPE 4X	cURus - cCSAus	PG 16	10.0	29.9	30.9	27	27	30	7.0	12.0
1SNG626162R0000	EP-SGL-PG16-BL-A	9005	Black	TYPE 4X	cURus - cCSAus	PG 16	10.0	29.9	30.9	27	27	30	7.0	12.0
1SNG626163R0000	EP-SGL-PG16-LGR-B	7035	L.Grey	TYPE 4X	cURus - cCSAus	PG 16	10.0	29.9	30.9	27	27	30	10.0	14.0
1SNG626164R0000	EP-SGL-PG16-GR-B	7001	Grey	TYPE 4X	cURus - cCSAus	PG 16	10.0	29.9	30.9	27	27	30	10.0	14.0
1SNG626165R0000	EP-SGL-PG16-BL-B	9005	Black	TYPE 4X	cURus - cCSAus	PG 16	10.0	29.9	30.9	27	27	30	10.0	14.0
1SNG626166R0000	EP-SGL-PG21-LGR-A	7035	L.Grey	TYPE 4X	cURus - cCSAus	PG 21	11.0	36.4	37.2	33	33	36	9.0	16.0
1SNG626167R0000	EP-SGL-PG21-GR-A	7001	Grey	TYPE 4X	cURus - cCSAus	PG 21	11.0	36.4	37.2	33	33	36	9.0	16.0
1SNG626168R0000	EP-SGL-PG21-BL-A	9005	Black	TYPE 4X	cURus - cCSAus	PG 21	11.0	36.4	37.2	33	33	36	9.0	16.0
1SNG626169R0000	EP-SGL-PG21-LGR-B	7035	L.Grey	TYPE 4X	cURus - cCSAus	PG 21	11.0	36.4	37.2	33	33	36	13.0	18.0
1SNG626170R0000	EP-SGL-PG21-GR-B	7001	Grey	TYPE 4X	cURus - cCSAus	PG 21	11.0	36.4	37.2	33	33	36	13.0	18.0
1SNG626171R0000	EP-SGL-PG21-BL-B	9005	Black	TYPE 4X	cURus - cCSAus	PG 21	11.0	36.4	37.2	33	33	36	13.0	18.0
1SNG626172R0000	EP-SGL-PG29-LGR-A	7035	L.Grey	TYPE 4X	cURus - cCSAus	PG 29	11.0	41.3	47.1	42	42	46	12.0	20.0
1SNG626173R0000	EP-SGL-PG29-GR-A	7001	Grey	TYPE 4X	cURus - cCSAus	PG 29	11.0	41.3	47.1	42	42	46	12.0	20.0
1SNG626174R0000	EP-SGL-PG29-BL-A	9005	Black	TYPE 4X	cURus - cCSAus	PG 29	11.0	41.3	47.1	42	42	46	12.0	20.0
1SNG626175R0000	EP-SGL-PG29-LGR-B	7035	L.Grey	TYPE 4X	cURus - cCSAus	PG 29	11.0	41.3	47.1	42	42	46	18.0	25.0
1SNG626176R0000	EP-SGL-PG29-GR-B	7001	Grey	TYPE 4X	cURus - cCSAus	PG 29	11.0	41.3	47.1	42	42	46	18.0	25.0
1SNG626177R0000	EP-SGL-PG29-BL-B	9005	Black	TYPE 4X	cURus - cCSAus	PG 29	11.0	41.3	47.1	42	42	46	18.0	25.0

Note:  
The code of PG48 is the exceptional of this rule ,  
codes for this gland are BS-10 (RAL7001) , BS-20 (RAL7035) , BS-30 (RAL9005)

QTY	DOC TITLE	DRAWING NUMBER	MATERIAL	COMMENTS
4	LOCK NUT	-	PA 6 %30 GF	-
3	CAP	-	PA6 V2 (F1 Listed)	-
2	SEAL	-	CR	-
1	BODY	-	PA6 V2 (F1 Listed)	-

THIS DRAWING IS A CONTROLLED DOCUMENT.		DATE: 03FEB2022	REV: 0
DESIGNED BY: CH	CHECKED BY: CH	DATE: 03FEB2022	REV: 0
DRAWN BY: CH	APPROVED BY: CH	DATE: 03FEB2022	REV: 0
PRODUCT SPEC: PG-STD-GLAND-PA-LN	APPLICATION SPEC:	SCALE: 5:1	SHEET 1 OF 1
REF. TABLE:	CUSTOMER DRAWING:	SCALE: 5:1	REV: A