

4

3

2

1

THIS DRAWING IS UNPUBLISHED.

RELEASED FOR PUBLICATION

- . - .

© COPYRIGHT - BY TYCO ELECTRONICS CORPORATION.

ALL INTERNATIONAL RIGHTS RESERVED.

LOC DIST

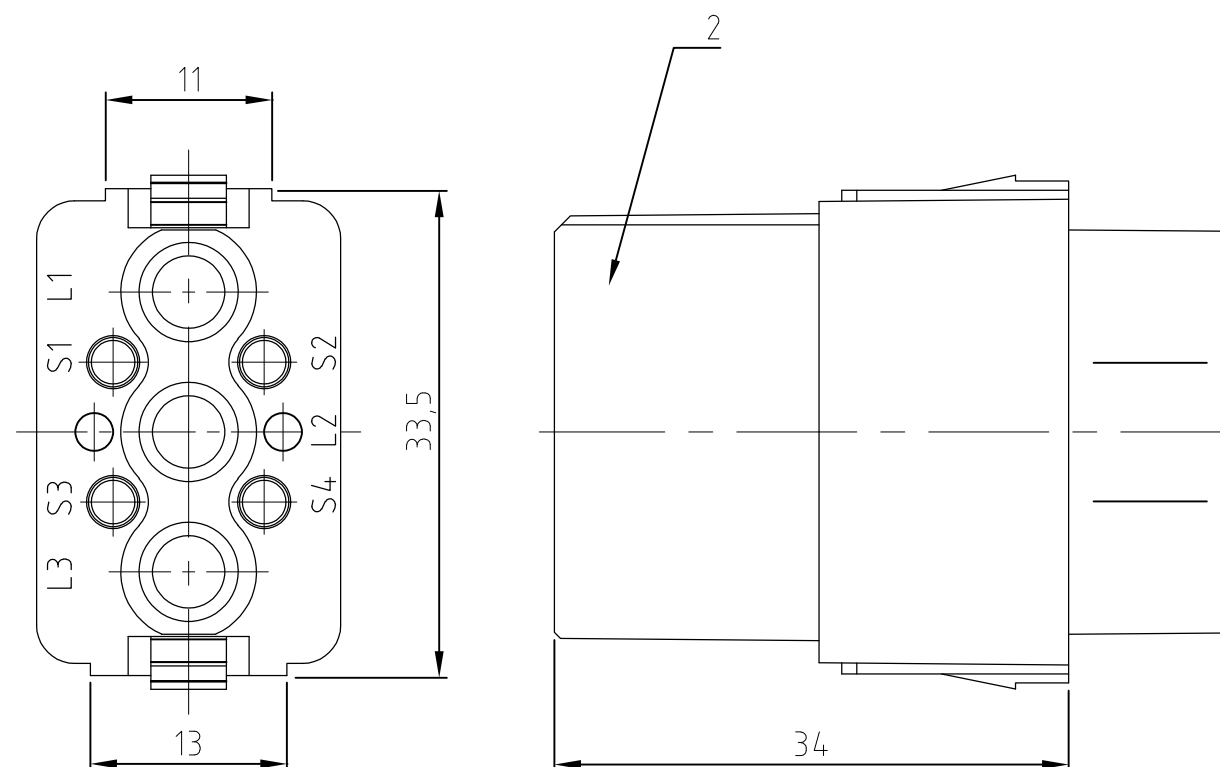
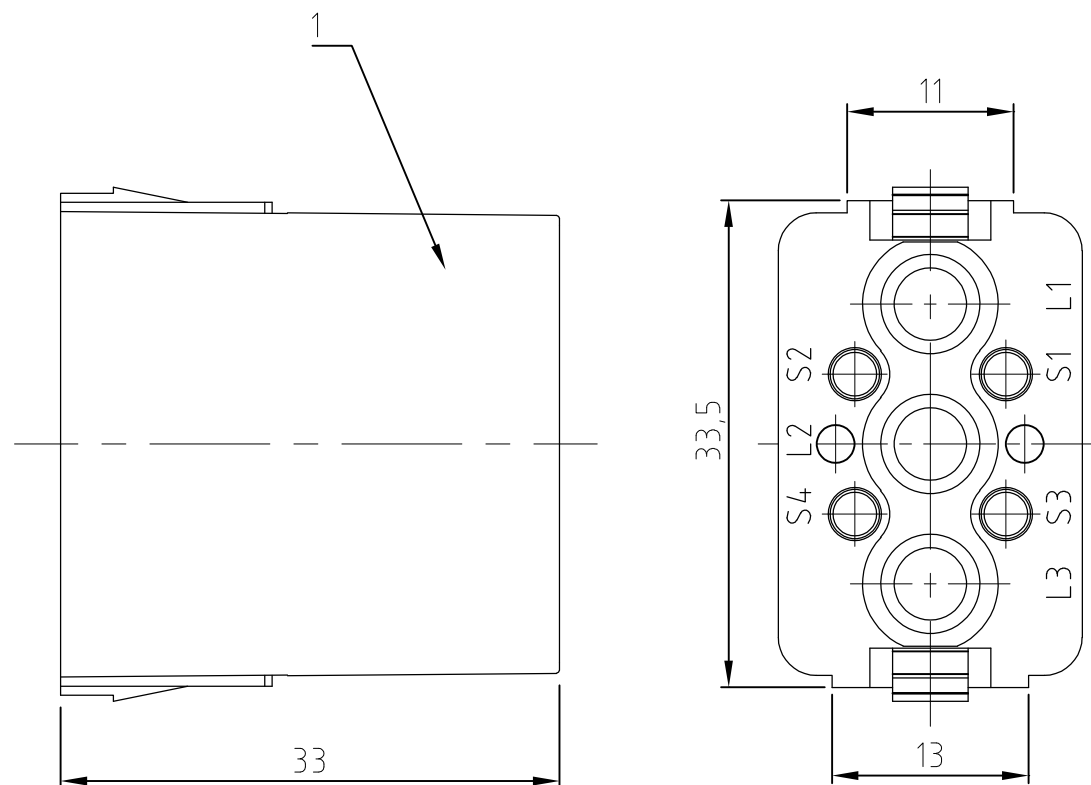
A1 -

REVISIONS

P	LTR	DESCRIPTION	DATE	DWN	APVD
B1		Packaging box changed; ECR-07-027099	13.11.2007	ST	AR
B2		REVISED PER ECO-11-002591	11FEB11	HMR	MM

MDL2 Pin

MDL2 Socket



1	-	Moduleinsatz Buchse/modul insert socket	PA66	natur	2	-
-	1	Moduleinsatz Stift/module insert pin	PA66	natur	1	-
0-2	0-1	DESCRIPTION / BENENNUNG	MATERIAL	COLOR / FARBE	ITEM NO. POS.	REMARKS / BEMERKUNG
MDL2.3+4.Bu.C	MDL2.3+4.Sti.C	ORDERING TEXT / BESTELLTEXT	THIS DRAWING IS A CONTROLLED DOCUMENT.		DWN	25.09.2003
			DIMENSIONS: mm		CHK	25.09.2003
					TOLERANCES UNLESS OTHERWISE SPECIFIED: GENERAL TOLERANCES ISO 8015 ISO 2768 - M H - E DIN 16901 - 14.0 0 PLC ± 1 PLC ± 2 PLC ± 3 PLC ± PLC ANGLES ±	
			MATERIAL		FINISH	
		DWN Schneider 25.09.2003		Tyco Electronics Corporation Harrisburg, Pa 17105-3608		
		CHK Baum 25.09.2003				
		APVD -		NAME		
		PRODUCT SPEC		Module insert MDL2.3+4.Sti/Bu.C Moduleinsatz MDL2.3+4.Sti/Bu.C		
		APPLICATION SPEC		SIZE CAGE CODE DRAWING NO RESTRICTED TO		
		WEIGHT 23 / 17		A3 00779 C-1103018		
		CUSTOMER DRAWING		SCALE 2:1 SHEET 1 OF 1 REV B2		