

THIS DRAWING IS UNPUBLISHED.

RELEASED FOR PUBLICATION APR , 2003.

LOC GP DIST 00

REVISIONS

© COPYRIGHT 2003 By -

ALL RIGHTS RESERVED.

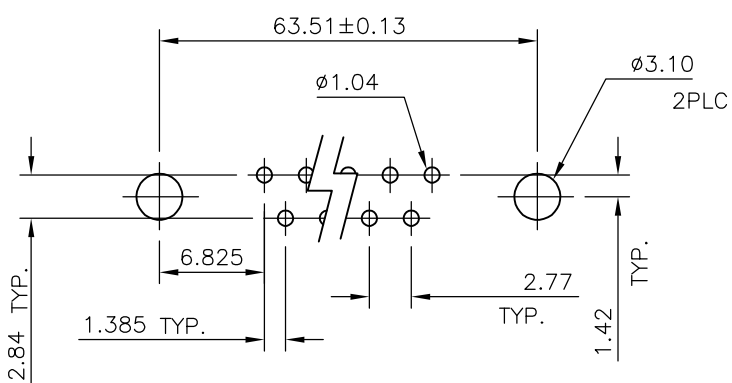
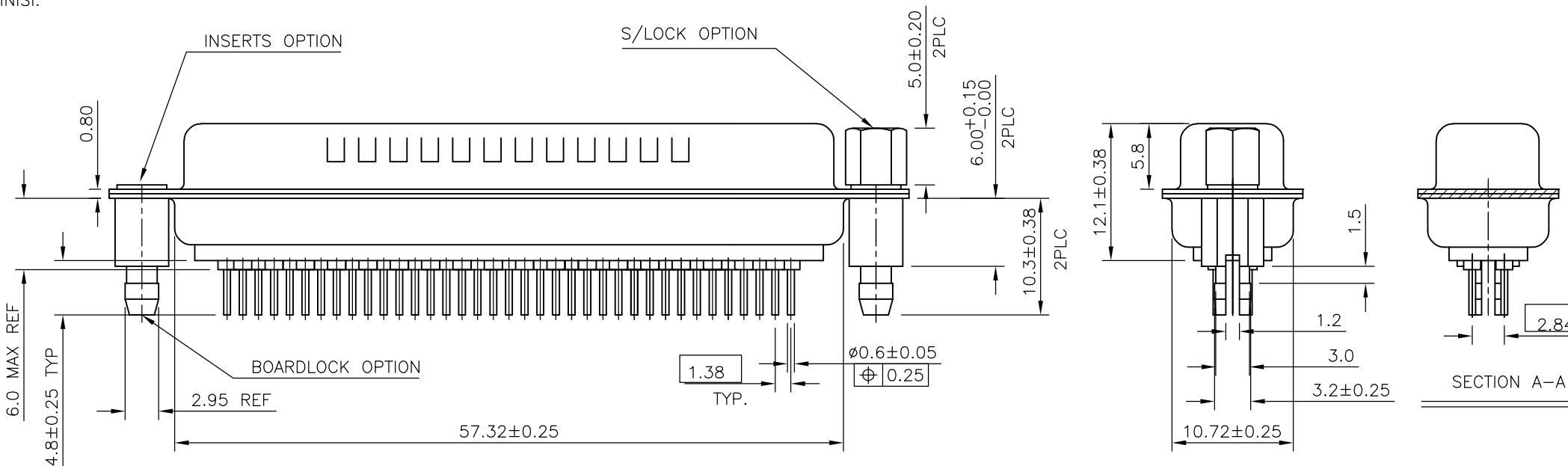
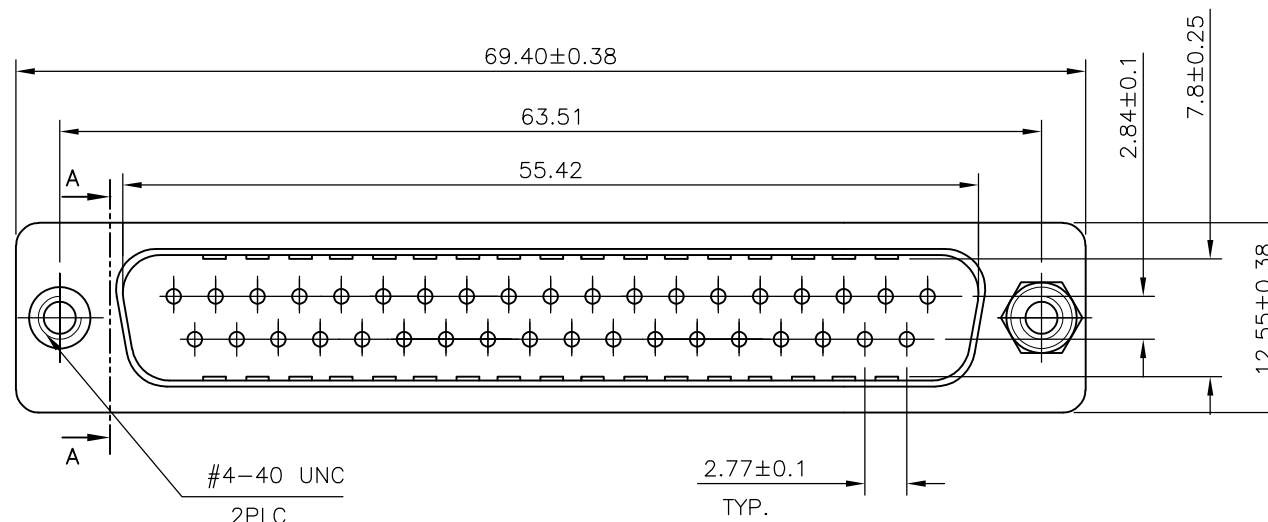
P	LTR	DESCRIPTION	DATE	DWN	APVD
	J	REVISED PER ECO-14-000651	06FEB2014	AP	SB

1 MATERIAL  
 HOUSING : THERMOPLASTIC, UL94V-0, BLACK  
 CONTACTS : BRASS.  
 SHELL : STEEL  
 SCREW : BRASS.  
 BOARD LOCK : BRASS.  
 SCREW OF TORQUE : 5 Kg-cm MAX.

2 FINISH  
 CONTACT : 15µ" MIN.GOLD PLATING ON CONTACT AREA  
 100µ" MIN. TIN PLATING ON SOLDER TAILS  
 50µ" MIN. NICKEL UNDERPLATED OVERALL  
 SHELL : 100µ" MIN NICKEL PLATING.  
 SCREW : 50µ" MIN. NICKEL PLATING.  
 BOARD LOCK : 50µ" MIN. NICKEL PLATING.

3 CHARACTERISTICS  
 CURRENT RATING : 3A  
 INSULATION RESISTANCE : 1000MOHMS MIN, 500VDC FOR 2MINS.  
 TEMPERATURE RATING : -55DEGC ~ +105DEGC  
 VOLTAGE RATING : 250VDC

4 OBSOLETE PARTS: OBSOLETE CIS STREAMLINING PER D.RENAUD/D.SINISI.



RECOMMENDED PCB LAYOUT(TOP VIEW)  
 (PCBTOLERANCE : ±0.05)

4	OBSOLETE	37W D PLG WITH B/L & M3 S/LOCK 15µ" GOLD	4-1634221-2
		37W D PLG WITH B/L & 4-40 S/LOCK 15µ" GOLD	3-1634221-2
4	OBSOLETE	37W D PLG WITH B/L & M3 INSERTS 15µ" GOLD	2-1634221-2
		37W D PLG WITH B/L & 4-40 INSERTS 15µ" GOLD	1-1634221-2
		DESCRIPTION	TE PART NO.

THIS DRAWING IS A CONTROLLED DOCUMENT.		DWN J.SANDWELL 10APR03	TE Connectivity	
DIMENSIONS: mm		CHK R.DYER 10APR03		
TOLERANCES UNLESS OTHERWISE SPECIFIED:		APVD F.WHEELER-KING 10APR03	NAME	
0 PLC ± -		PRODUCT SPEC	D-SUB HD20, VERTICAL, 37P PLUG CONNECTOR	
1 PLC ± 0.25		APPLICATION SPEC	SIZE	RESTRICTED TO
2 PLC ± 0.15		WEIGHT	A3	
3 PLC ± -		CUSTOMER DRAWING	CAGE CODE	DRAWING NO
4 PLC ± -		SCALE	00779	G-1634221
ANGLES ± 3'		SHEET	2:1	1 OF 2
FINISH		REV		J

THIS DRAWING IS UNPUBLISHED.

RELEASED FOR PUBLICATION APR , 2003.

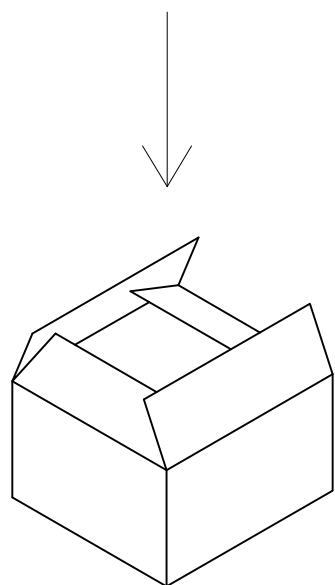
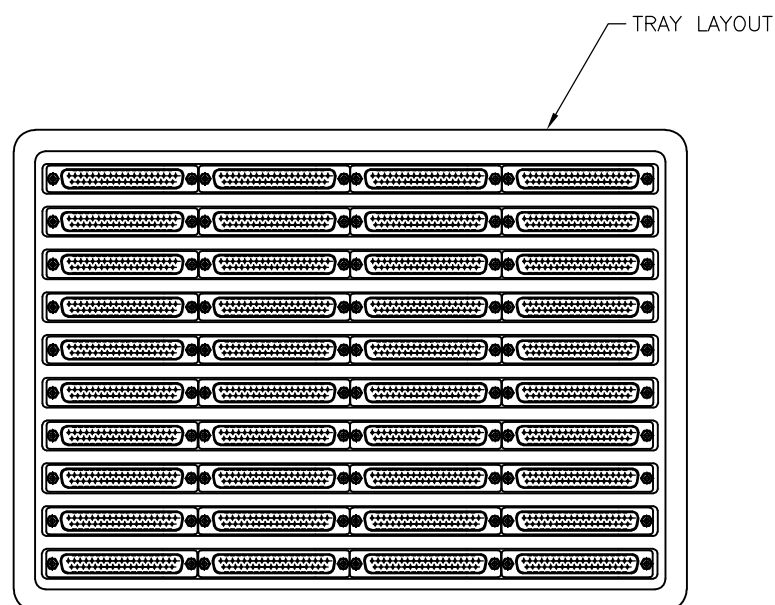
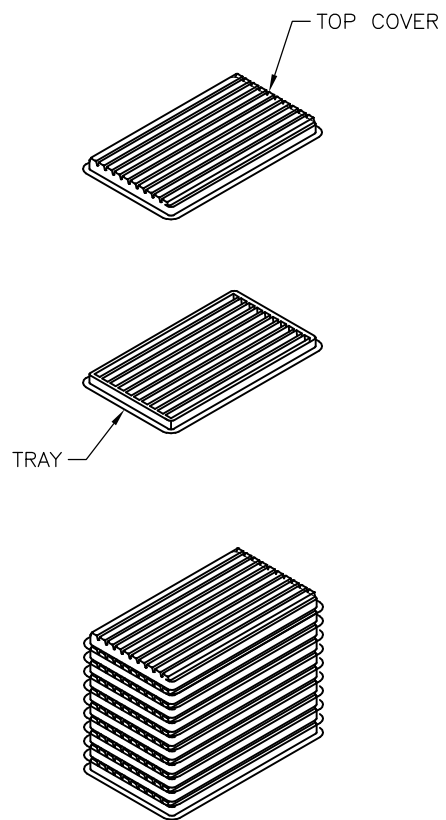
© COPYRIGHT 2003 By -

ALL RIGHTS RESERVED.

LOC GP DIST 00

REVISIONS

P	LTR	DESCRIPTION	DATE	DWN	APVD
-	-	SEE SHEET 1	-	-	-



MATERIAL


- 1 TRAY: PVC
- 2 SHIPPING CARTON: CORRUGATED FIBERBOARD

DIMENSIONS

- 1 TRAY: L=310, W=230, H=21
- 2 SHIPPING CARTON: L=330, W=245, H=160

QUANTITY

- 40 PCS/TRAY
- 10 TRAY/SHIPPING CARTON

THIS DRAWING IS A CONTROLLED DOCUMENT.		DWN J.SANDWELL 10APR03	 <b>TE Connectivity</b>														
DIMENSIONS: mm		CHK R.DYER 10APR03															
TOLERANCES UNLESS OTHERWISE SPECIFIED:		APVD F.WHEELER-KING 10APR03	NAME D-SUB HD20, VERTICAL, 37P PLUG CONNECTOR														
<table border="1"> <tr> <td>0 PLC</td> <td>± -</td> </tr> <tr> <td>1 PLC</td> <td>± 0.25</td> </tr> <tr> <td>2 PLC</td> <td>± 0.15</td> </tr> <tr> <td>3 PLC</td> <td>± -</td> </tr> <tr> <td>4 PLC</td> <td>± -</td> </tr> <tr> <td>ANGLES</td> <td>± 3'</td> </tr> </table>		0 PLC	± -	1 PLC	± 0.25	2 PLC	± 0.15	3 PLC	± -	4 PLC	± -	ANGLES	± 3'	PRODUCT SPEC -	-		
0 PLC	± -																
1 PLC	± 0.25																
2 PLC	± 0.15																
3 PLC	± -																
4 PLC	± -																
ANGLES	± 3'																
MATERIAL -		FINISH -	APPLICATION SPEC -	SIZE A3	CAGE CODE 00779	DRAWING NO C-1634221	RESTRICTED TO -										
CUSTOMER DRAWING			WEIGHT -	SCALE 2:1	SHEET 2 OF 2	REV J											