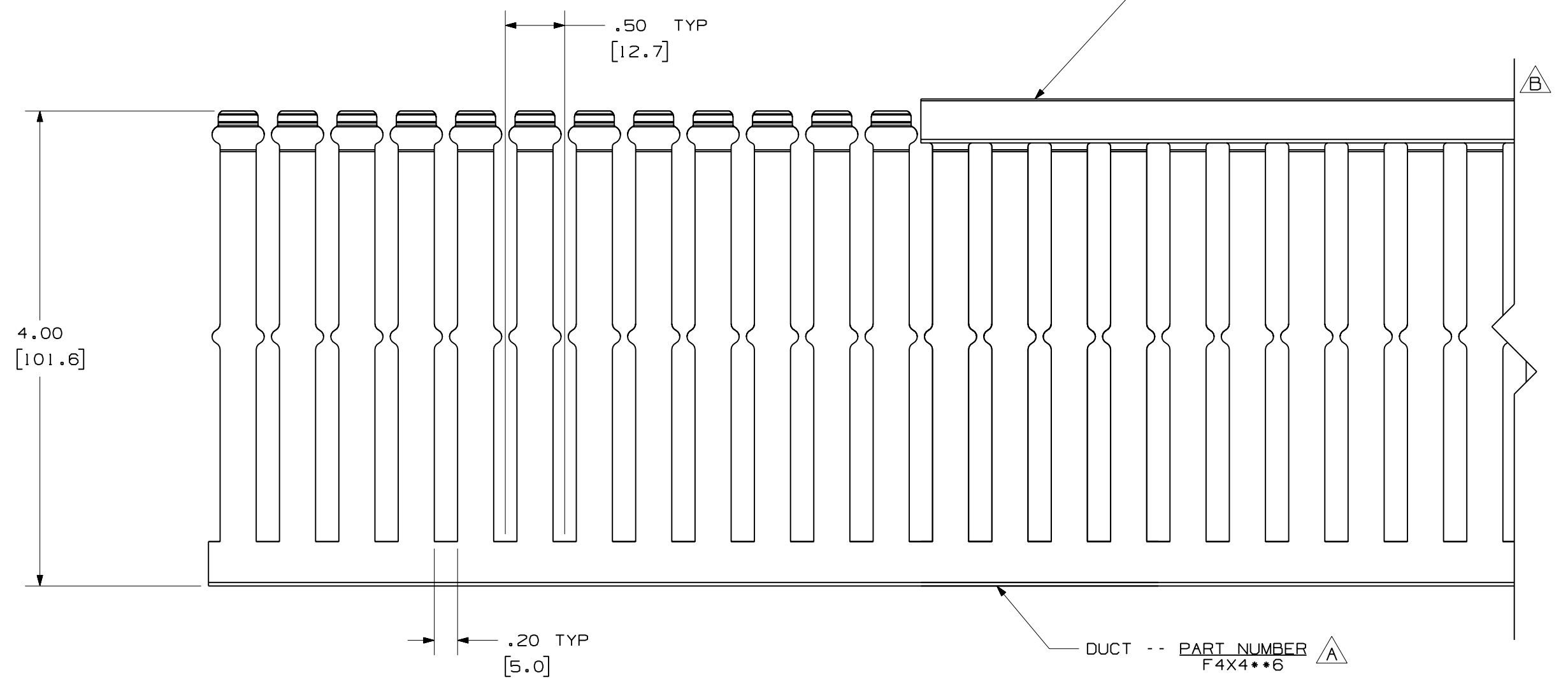
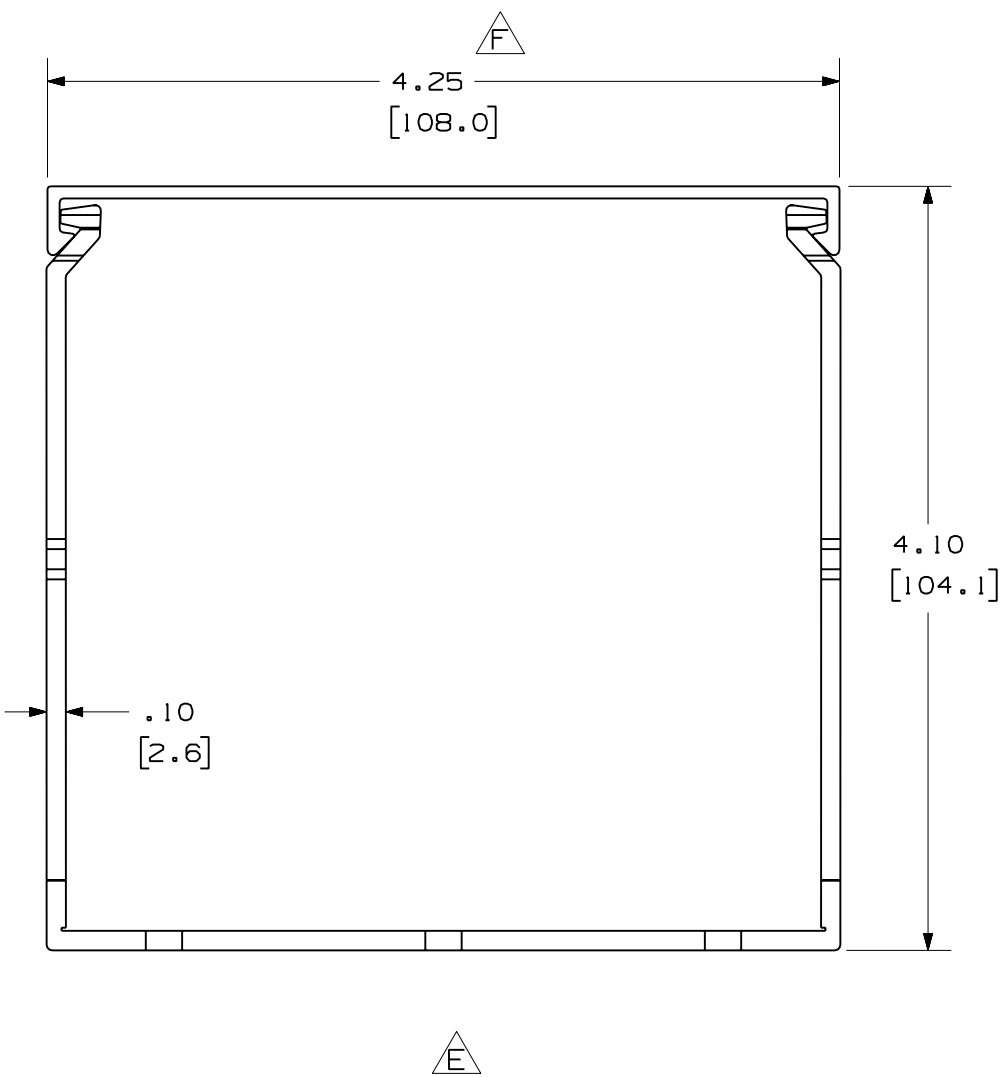
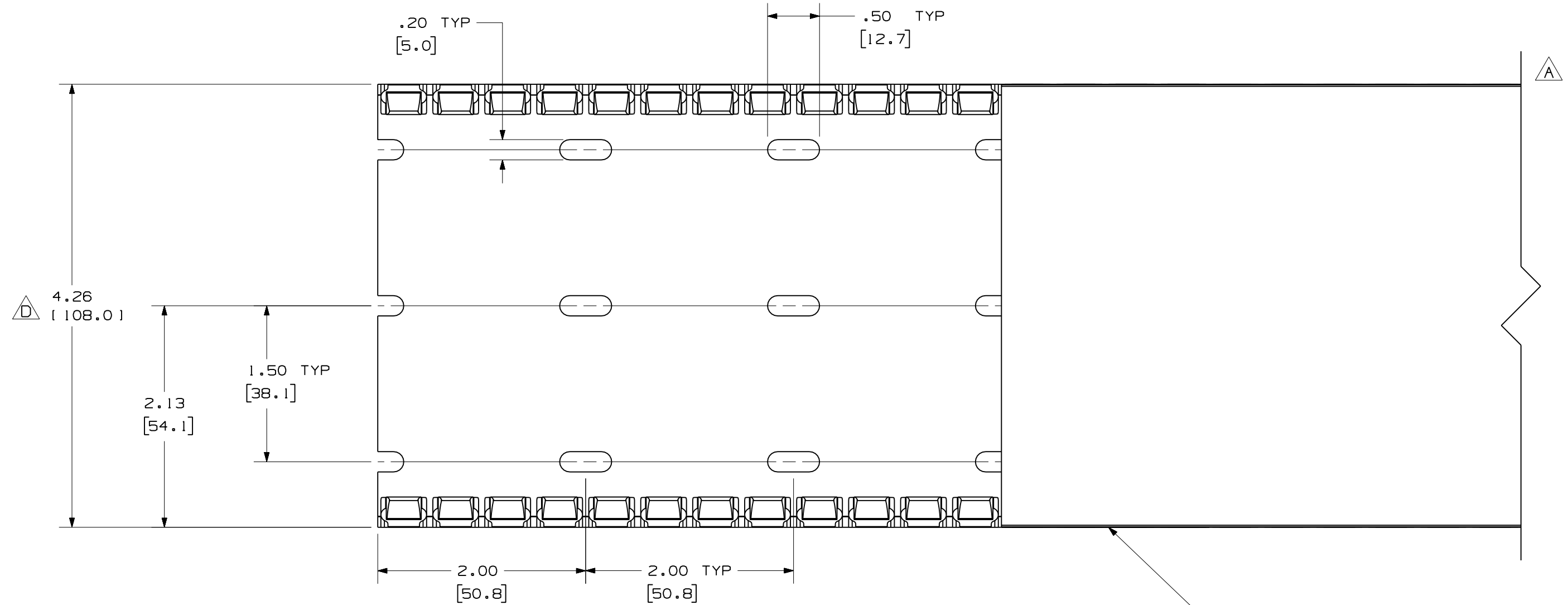


THIS COPY IS PROVIDED ON A RESTRICTED BASIS AND IS NOT TO BE USED IN ANY WAY DETRIMENTAL TO THE INTERESTS OF PANDUIT CORP.



COVER -- PART NUMBER C4**6

DUCT -- PART NUMBER F4X4**6

A G

- NOTES:
1. ALL DIMENSIONS ARE REFERENCE ONLY.
 2. DIMENSIONS IN PARENTHESIS ARE METRIC.
 3. THE ** DENOTE COLOR.
 4. DUCT AND COVER ARE AVAILABLE IN 6 FT [1828.8] LENGTHS

REV	DATE	BY	CHK	DESCRIPTION
--	-----	---	---	G. ADDED LENGTH NOTE F. CORRECTED DIMENSION
2	7/23/07	JCSTMKBE		E. DELETED DIMENSION D. ADDED DIMENSION
--	-----	---	---	C. CHANGED DRAWING SIZE
1	9/2/04	JCSTMKBE		B. CHANGED VIEW A. ADDED TOP VIEW, NOTES, AND LABELS
R	3/20/03	JCST JGG		DRAWING RELEASED

CAD FILENAME/LAYERS		D11000CU_DC/00C	
PANDUIT CORP. TINLEY PARK, ILLINOIS			
WIRING DUCT - TYPE F DUCT WITH COVER 4X4			
MARKETING DRAWING			
DRWN BY JCST	MAT'L: PVC	SCALE FULL	DWG NO.
DATE 3/20/03			36897-783
CHECKED BY JGG			DWG SIZE C