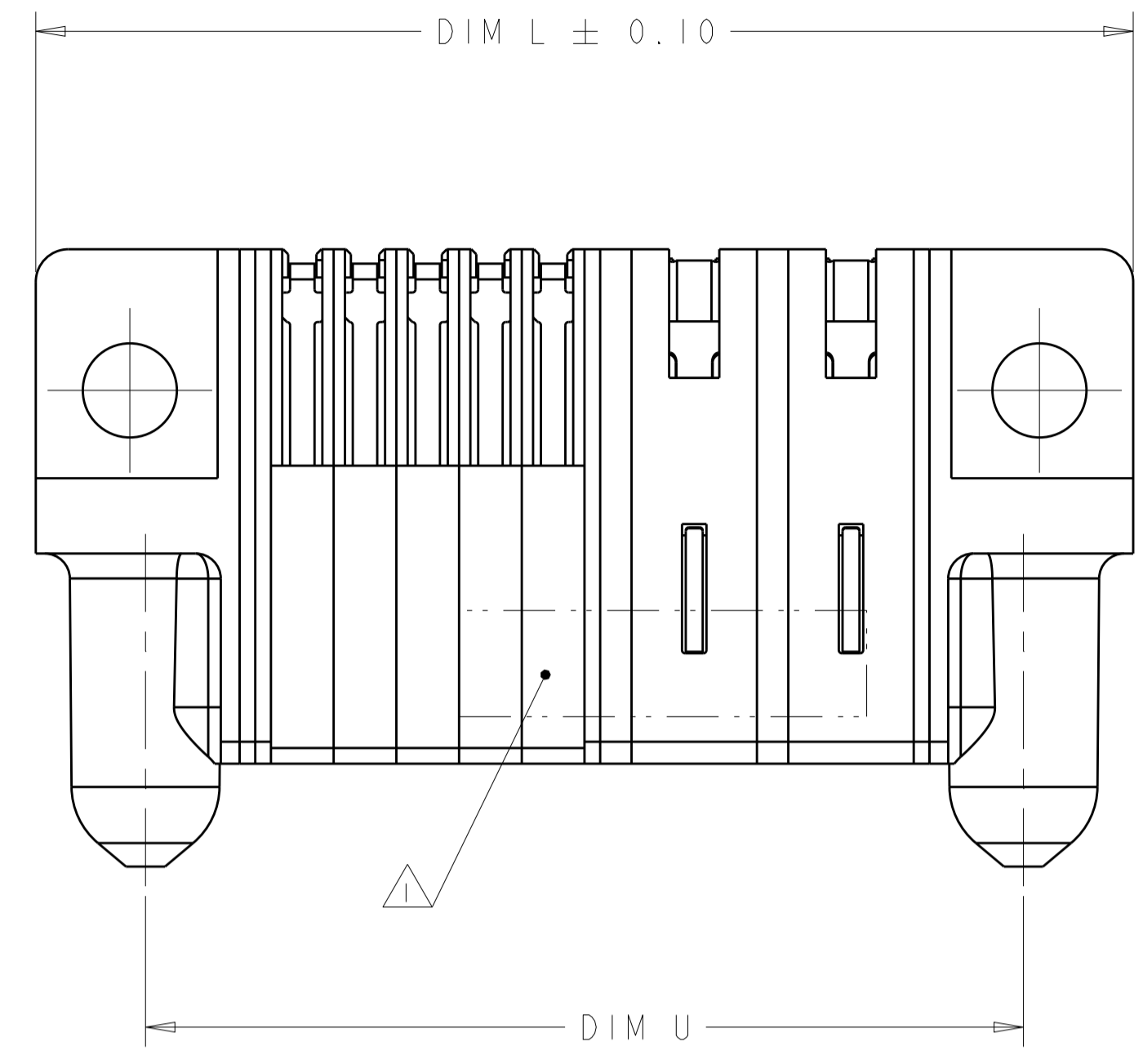
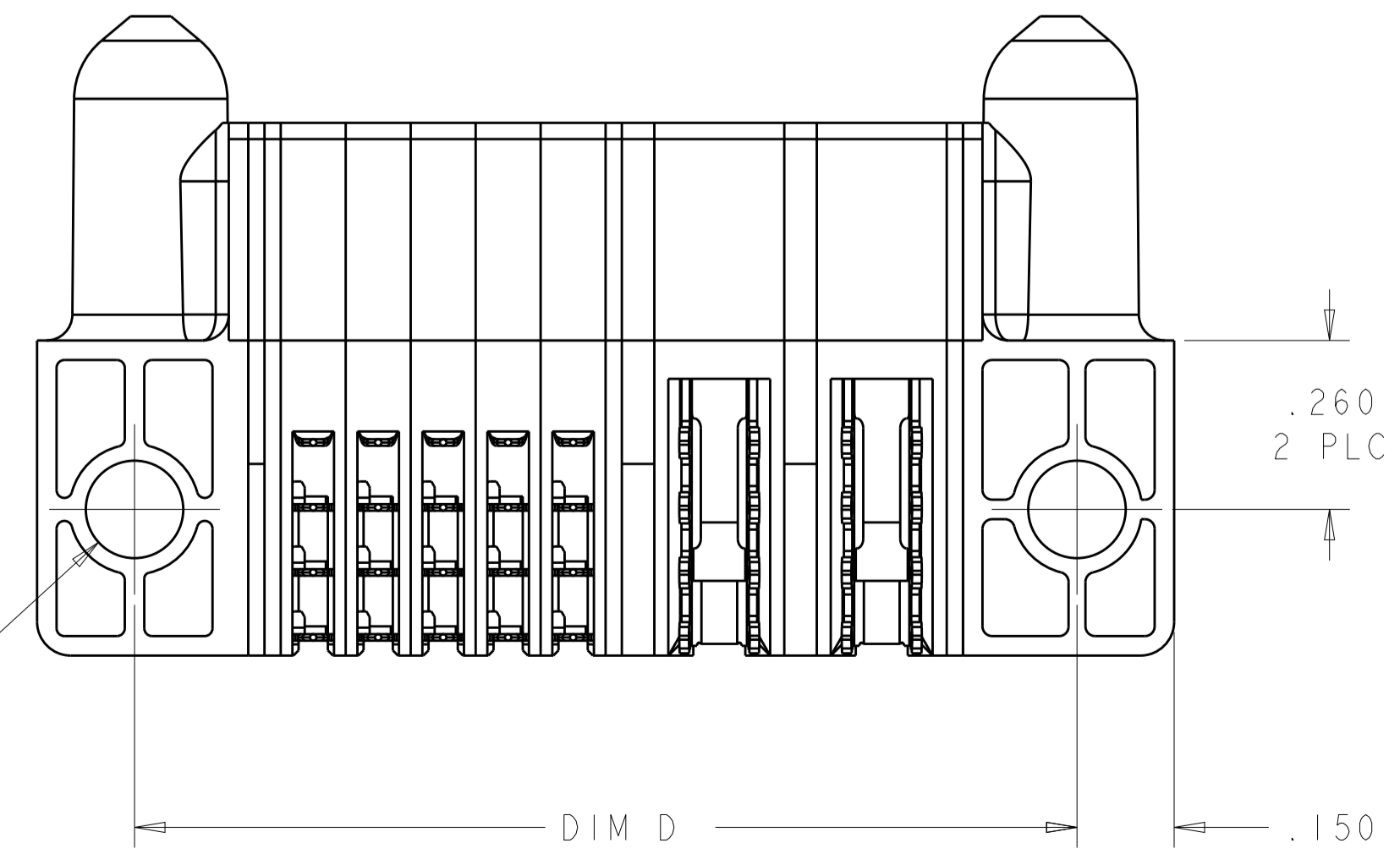
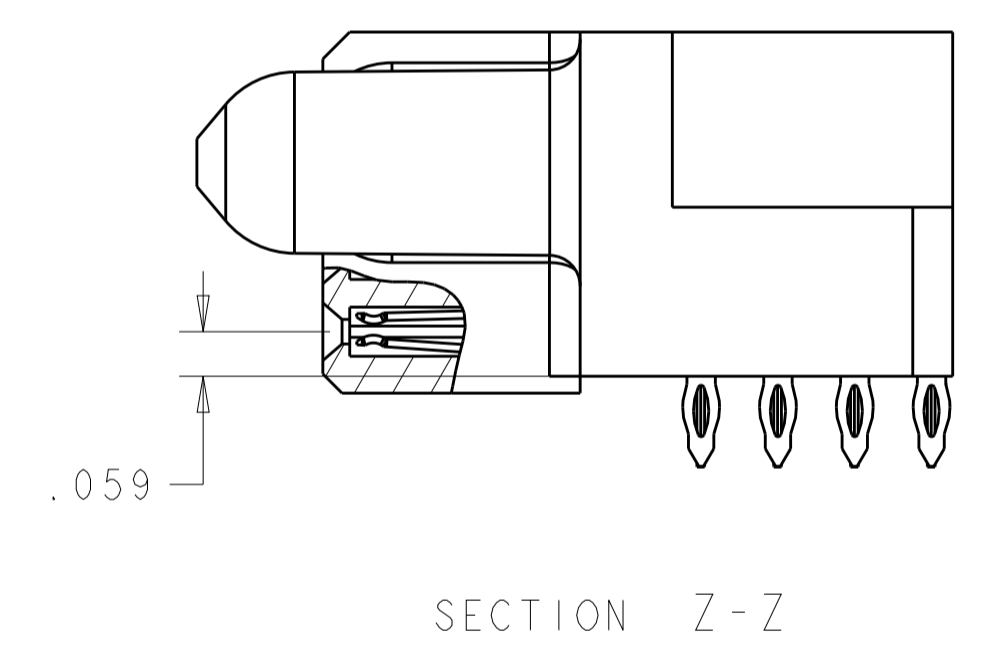
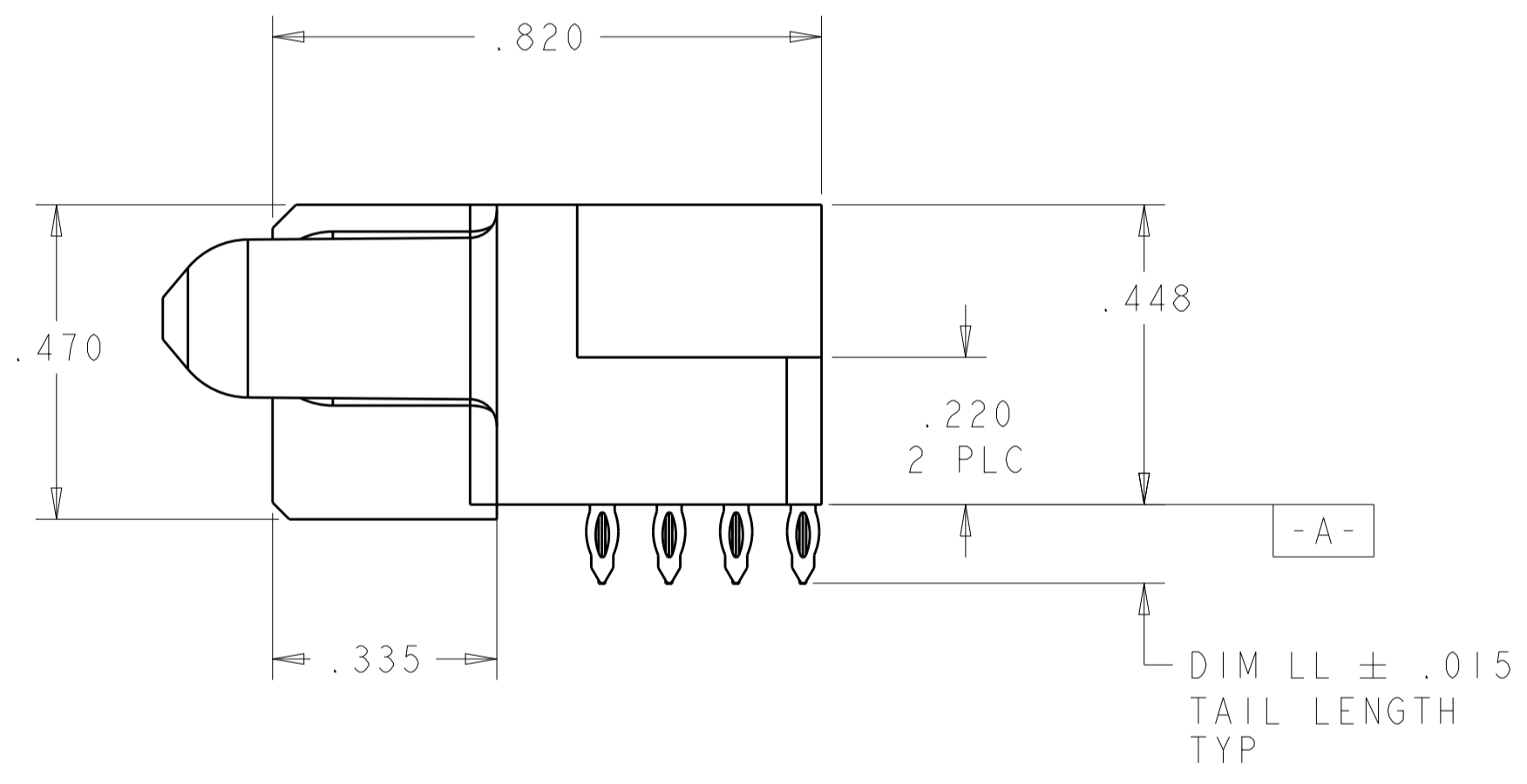
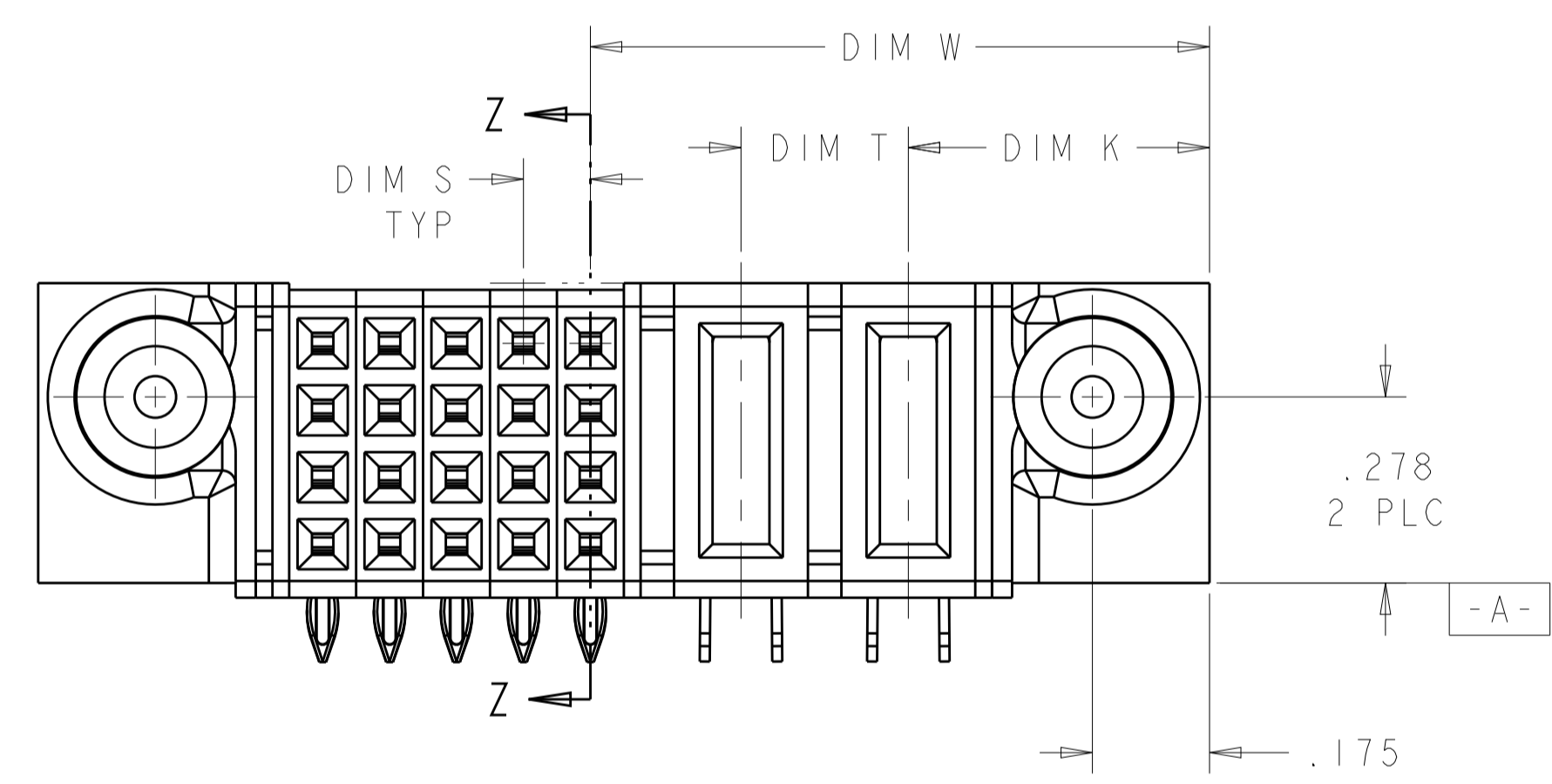


LOC		DIST		REVISIONS			
P	LTN	DESCRIPTION	DATE	DMN	APVD		
B3		ADDED NEW DASH NUMBER -7	08AUG2013	CZ	SZ		



- 1 "AMP", PART NUMBER, AND DATE CODE TO BE MARKED IN AREA SHOWN PARTS UNDER 2.00 LONG MAY BE MARKED ON BOTH SIDES
- 2 MATERIAL: HOUSING - GLASS FILLED HIGH TEMP THERMO PLASTIC, UV94 V-0
SIGNAL CONTACT - HIGH CONDUCTIVITY COPPER ALLOY
POWER CONTACT - HIGH CONDUCTIVITY COPPER ALLOY
- 3 CONTACT PLATING:
NOBLE METAL PLATED ON THE CONTACT FUNCTIONAL AREA OF POWER AND SIGNAL CONTACTS.
- 4 MECHANICAL CONNECTOR KEEP OUT ZONE
- 5 DATUM AND BASIC DIMENSIONS ESTABLISHED BY CUSTOMER
- 6 PCB - ALL HOLE DIAMETERS ARE FINISHED HOLE SIZES
- 7 PCB - .0453 ± .0010 DRILLED HOLE PLATED WITH .0003 MIN Sn OVER .001-.003 PLATING TO ACHIEVE A .040 HOLE



.119	.100	.250	.875	.450	1.400	1.450	1.750	2P + 24S	6450562-7
.165	.100	.200	.825	.450	1.050	1.100	1.400	2P + 12S	6450562-5
.119	.100	.250	3.125	.450	3.650	3.700	4.000	11P + 24S	6450562-4
.119	.100	-	.675	.450	1.050	1.100	1.400	1P + 16S	6450562-1
DIM LL	DIM S	DIM T	DIM W	DIM K	DIM U	DIM D	DIM L	DESCRIPTION	PART NUMBER

THIS DRAWING IS A CONTROLLED DOCUMENT.

DMN: DENNY ZHU 08OCT2006
CHK: SUNY ZHAO 08OCT2006
APVD: 31OCT2011

STE TE Connectivity

NAME: RIGHT ANGLE RECEPTACLE ASSEMBLY PRESS FIT MULTI-BEAM XL

SIZE: A100779 CAGE CODE: 6450562 DRAWING NO: 114-13038

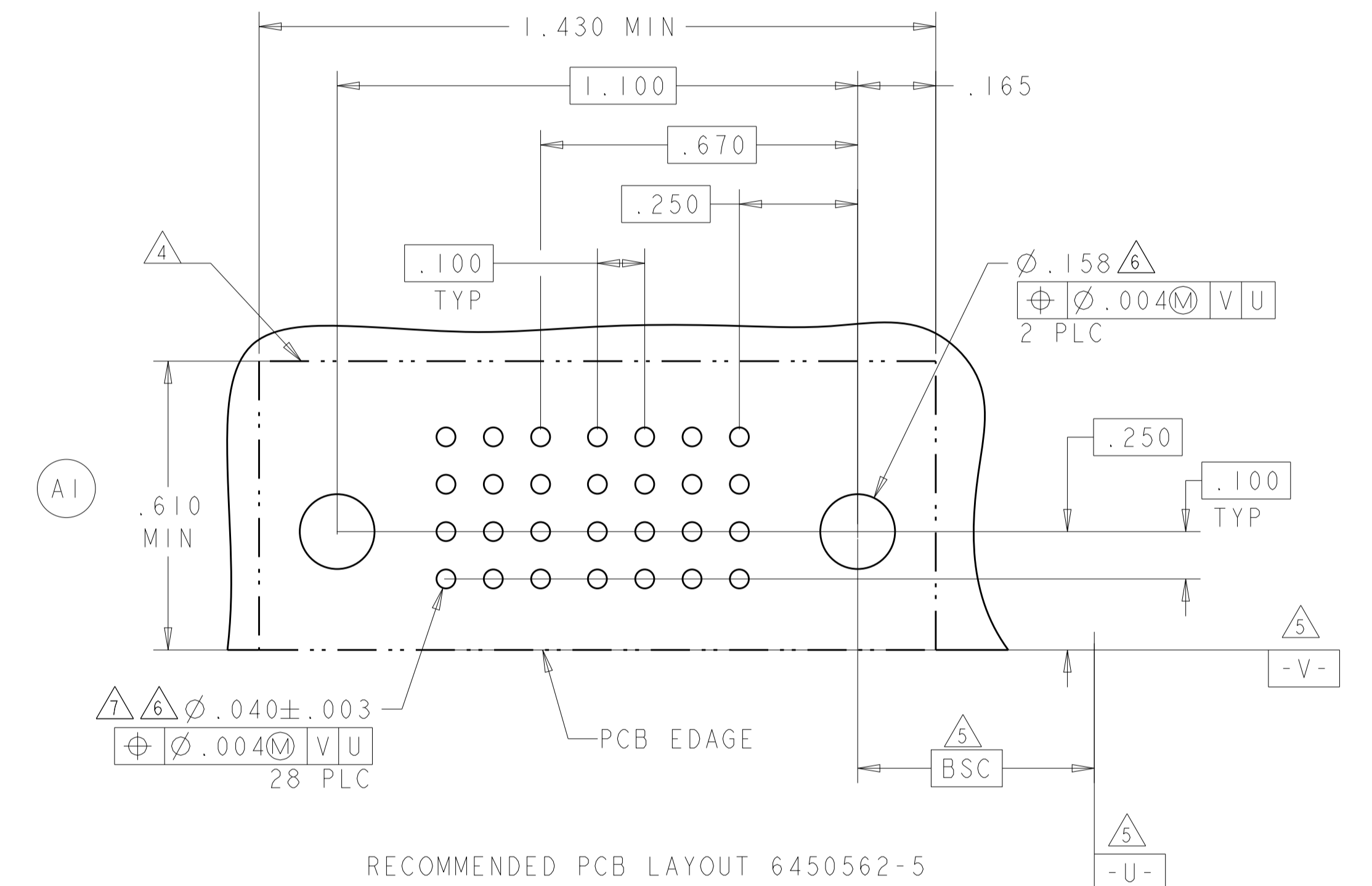
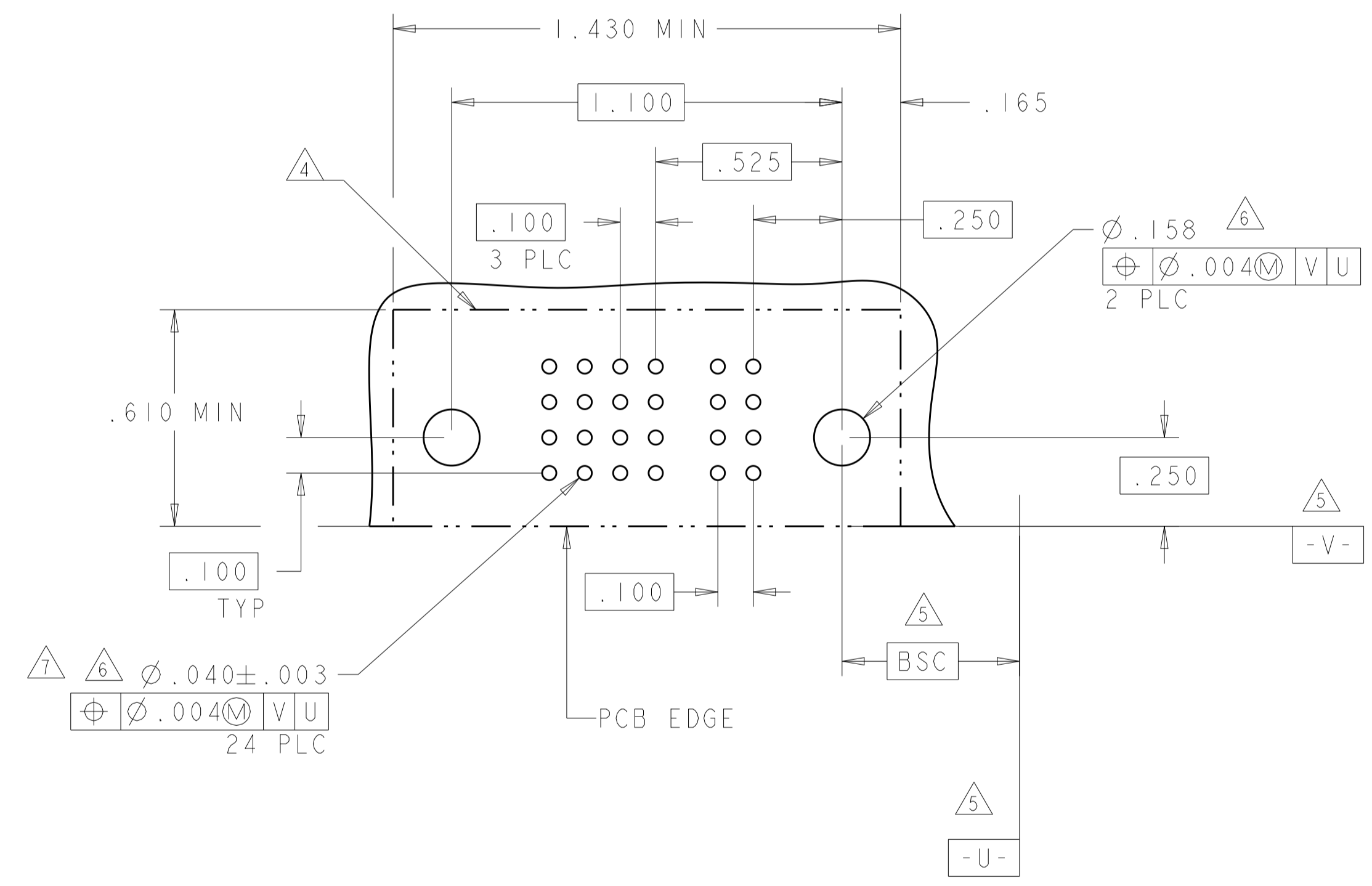
REVISIONS: B3

SCALE: 4:1 SHEET 1 OF 3

LOC	DIST	REV	DATE	BY	CHK	APPV
ES	-					

PART NUMBER	ROWS	SIGNAL				POWER
		4	3	2	1	PI
6450562-1	D	D	D	D	D	RS
	C	C	C	C	C	
	B	B	B	B	B	
	A	A	A	A	A	
IP + 16S						

PART NUMBER	ROW	SIGNAL			POWER	
		3	2	1	P2	P1
6450562-5	D	DD	DD	DD	RL	RL
	C	CC	CC	CC		
	B	BB	BB	BB		
	A	AA	AA	AA		
2P + 12S						



CODE	DESCRIPTION
DD	SIGNAL CONTACT, R/A HDR, STD, ROW D, .165
CC	SIGNAL CONTACT, R/A HDR, STD, ROW C, .165
BB	SIGNAL CONTACT, R/A HDR, STD, ROW B, .165
AA	SIGNAL CONTACT, R/A HDR, STD, ROW A, .165
RL	POWER CONTACT, R/A HDR, STD, .165
D	SIGNAL CONTACT, R/A HDR, STD, ROW D, .119
C	SIGNAL CONTACT, R/A HDR, STD, ROW C, .119
B	SIGNAL CONTACT, R/A HDR, STD, ROW B, .119
A	SIGNAL CONTACT, R/A HDR, STD, ROW A, .119
RS	POWER CONTACT, R/A HDR, STD, .119

THIS DRAWING IS A CONTROLLED DOCUMENT.

OWN: DENNY ZHU 08OCT2006
 CHK: SUNY ZHAO 08OCT2006
 APVD: 31OCT2011

TE Connectivity

RIGHT ANGLE RECEPTACLE ASSEMBLY
 PRESS FIT
 MULTI-BEAM XL

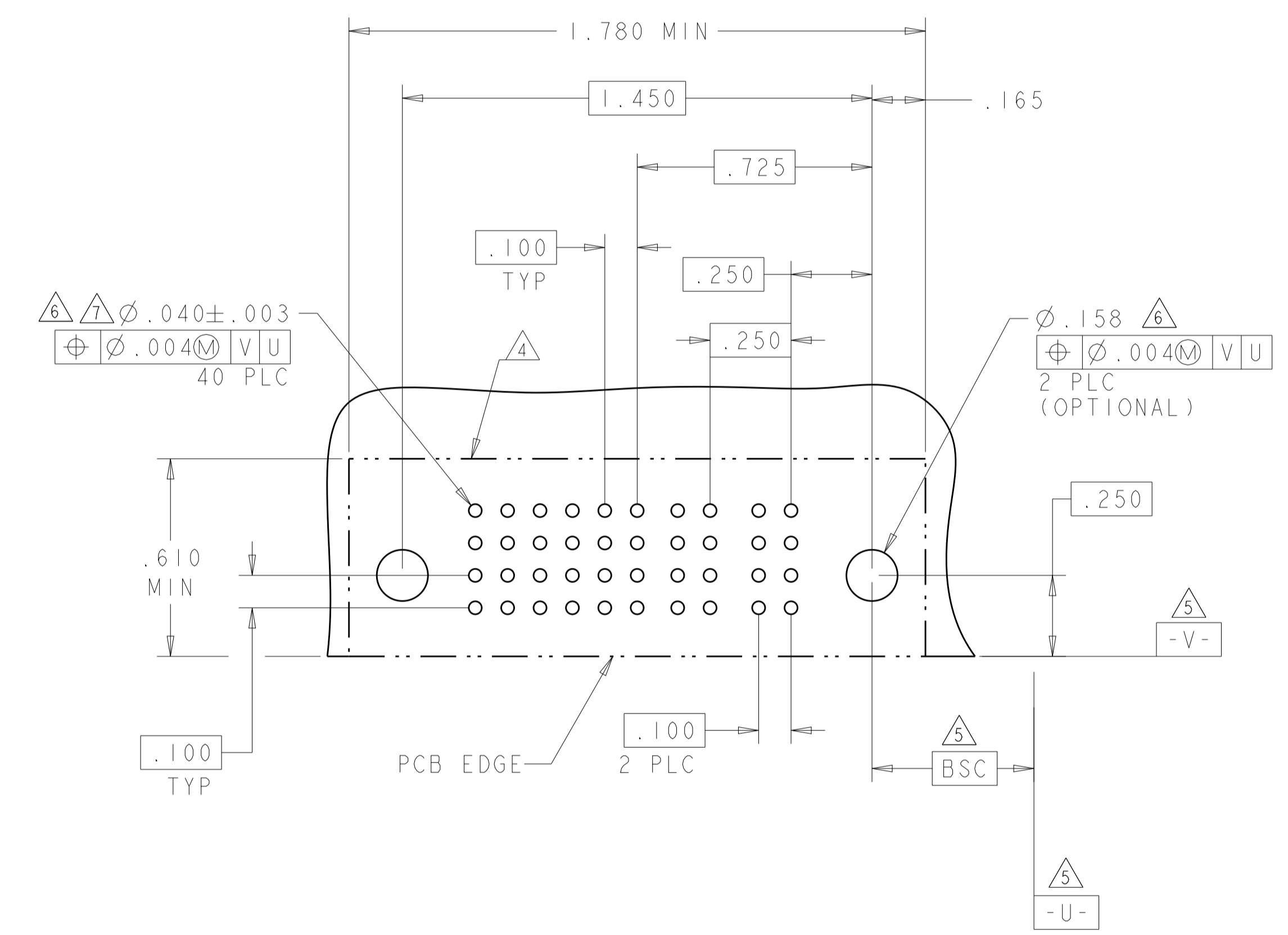
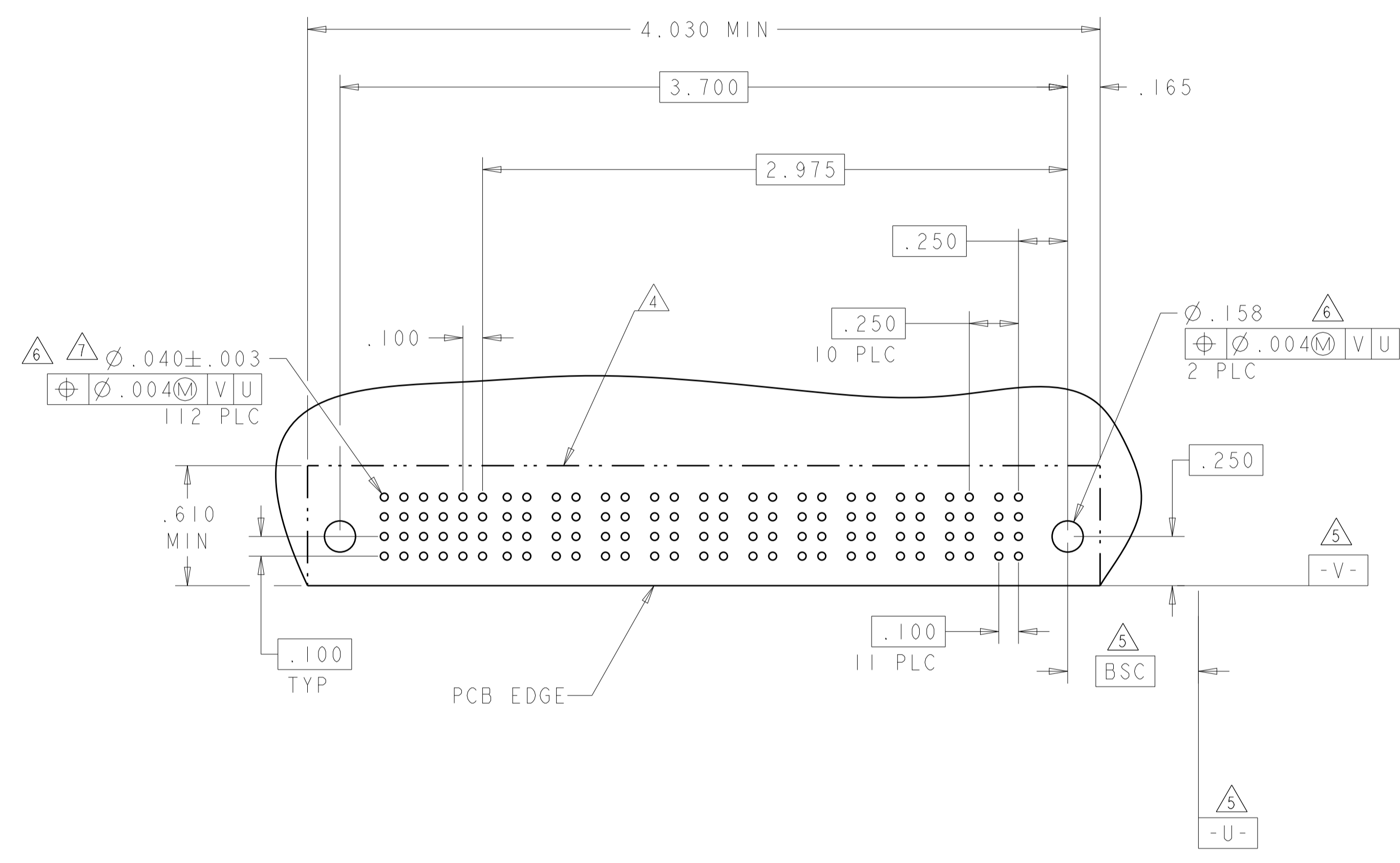
SCALE: 4:1 SHEET 2 OF 3 REV: B3

LOC	DIST	REV	DATE	BY	APPV
ES	-				

REVISIONS		DATE	BY	APPV
1	SEE SHEET 1	-	-	-

PART NUMBER	ROWS	SIGNAL						POWER											
		6	5	4	3	2	1	P11	P10	P9	P8	P7	P6	P5	P4	P3	P2	P1	
6450562-4	D	D	D	D	D	D	D	RS	RS	RS	RS	RS	RS	RS	RS	RS	RS	RS	
	C	C	C	C	C	C	C	RS	RS	RS	RS	RS	RS	RS	RS	RS	RS	RS	
	B	B	B	B	B	B	B	RS	RS	RS	RS	RS	RS	RS	RS	RS	RS	RS	
	A	A	A	A	A	A	A	RS	RS	RS	RS	RS	RS	RS	RS	RS	RS	RS	
IIP + 24S																			

PART NUMBER	ROW	SIGNAL						POWER	
		6	5	4	3	2	1	P2	P1
6450562-7	D	D	D	D	D	D	D	RS	RS
	C	C	C	C	C	C	C	RS	RS
	B	B	B	B	B	B	B	RS	RS
	A	A	A	A	A	A	A	RS	RS
2P + 24S									



THIS DRAWING IS A CONTROLLED DOCUMENT.		OWN: DENNY ZHU 08OCT2006	 TE Connectivity										
DIMENSIONS: INCHES		CHK: SUNY ZHAO 08OCT2006											
TOLERANCES UNLESS OTHERWISE SPECIFIED:		APVD: 31OCT2011											
<table border="1"> <tr><td>0 PLC</td><td>±</td></tr> <tr><td>2 PLC</td><td>±</td></tr> <tr><td>3 PLC</td><td>±</td></tr> <tr><td>4 PLC</td><td>±.005</td></tr> <tr><td>ANGLES</td><td>±.0020</td></tr> </table>		0 PLC	±	2 PLC	±	3 PLC	±	4 PLC	±.005	ANGLES	±.0020	PRODUCT SPEC: 108-1973	NAME: RIGHT ANGLE RECEPTACLE ASSEMBLY PRESS FIT MULTI-BEAM XL
0 PLC	±												
2 PLC	±												
3 PLC	±												
4 PLC	±.005												
ANGLES	±.0020												
MATERIAL: -		APPLICATION SPEC: 114-13038	SIZE: A100779										
FINISH: -		WEIGHT: -	CAGE CODE: 6450562										
		Customer Drawing	SCALE: 4:1 SHEET 3 OF 3 REV: B3										