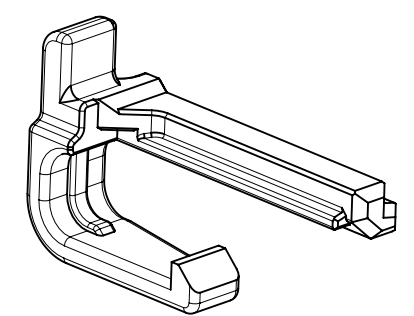
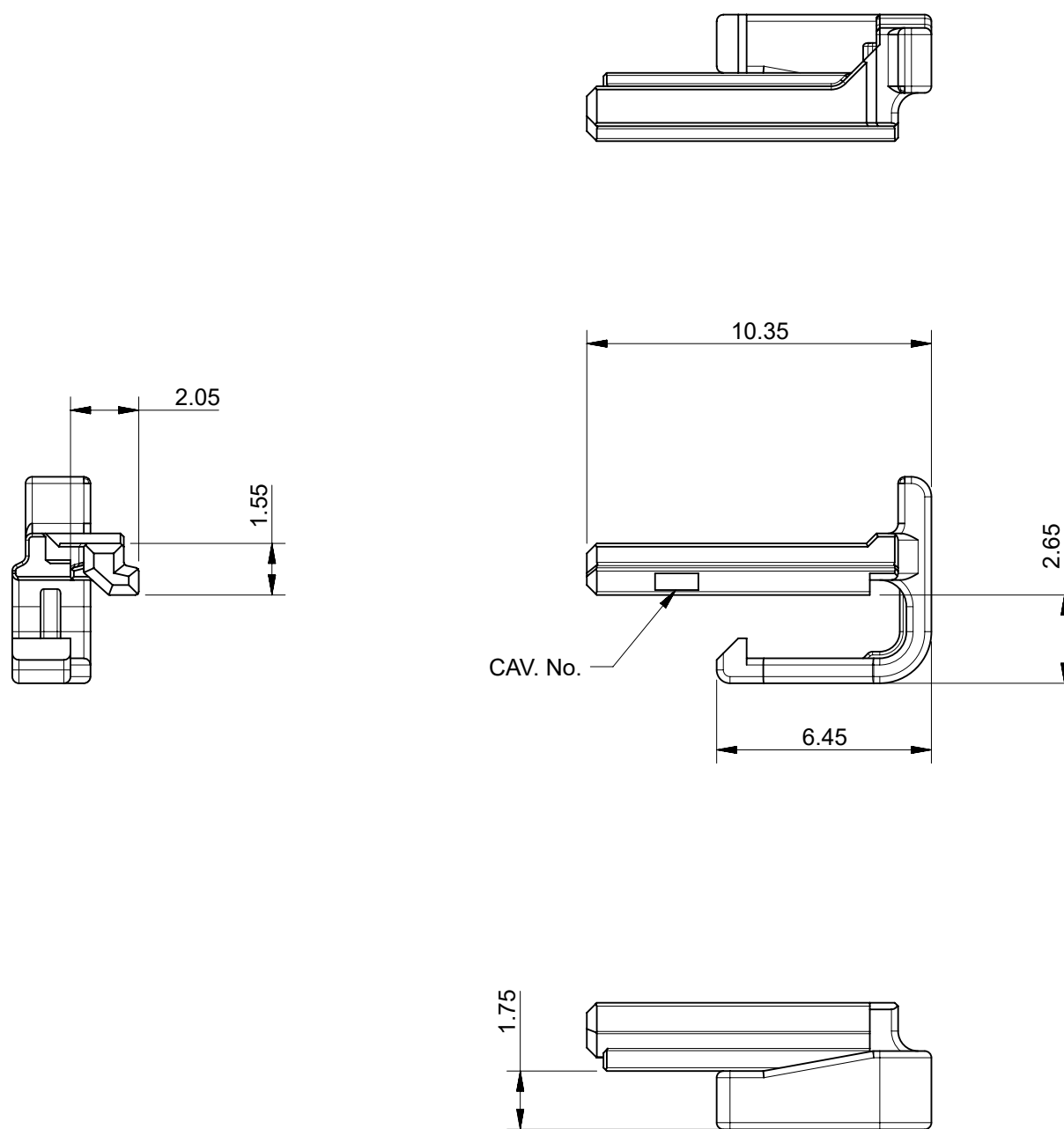


GENERAL TOLERANCE										USED ON
10 MAX	30 MAX	50 MAX	70 MAX	100 MAX	120 MAX	250 MAX	250 OVER	ANGLE	ECCENT	
±0.15	±0.20	±0.30	±0.40	±0.50	±0.75	±0.90	±1.4	±0.5°	0.1	



ISO VIEW

MATERIAL NUMBER

ORDER NO.	MATERIAL NO.	COLOR
560125-0400	5601250400	GRAY

- NOTES:
1. MATERIALS : POLYESTER (PBT)-GF17, UL94 V-0
  2. APPLICABLE HOUSING : 560123 SERIES
  3. GENERAL TOLERANCE : SEE TABLE
  4. EVL AND RoHS COMPLIANT
  5. PRODUCT SPECIFICATION : PS-560123-00\*
  6. PACKING SPECIFICATION : PK-560125-001

FUNCTIONAL SYMBOLS	THIS DRAWING CONTAINS INFORMATION THAT IS PROPRIETARY TO MOLEX ELECTRONIC TECHNOLOGIES, LLC AND SHOULD NOT BE USED WITHOUT WRITTEN PERMISSION		CURRENT REV DESC: DRAWING REMASTERED	
	▽A = 0	mm	SCALE	5:1
▽E = 0	GENERAL TOLERANCES (UNLESS SPECIFIED)			
▽F = 0	ANGULAR TOL ± °			
DIVISIONAL SYMBOLS	4 PLACES	±	EC NO: 641821	
	3 PLACES	±	DRWN: SAKIM 2020/07/17	
	2 PLACES	±	CHK'D: TOSADA 2020/07/27	
	1 PLACE	±	APPR: TOSADA 2020/07/27	
	0 PLACES	±	INITIAL REVISION:	
DRAFT WHERE APPLICABLE MUST REMAIN WITHIN DIMENSIONS		THIRD ANGLE PROJECTION	DRAWING	SERIES
			A3-SIZE	560125
		MATERIAL NUMBER	CUSTOMER	SHEET NUMBER
		SD-560125-002	GENERAL MARKET	1 OF 1

**molex**

NEW 2.0 PITCH W/B CONN.  
REC. 4WAY ISL DURACLICK ISL SERIES

PRODUCT CUSTOMER DRAWING