

# AXL P TERM PAIR - Termination block



2316402

<https://www.phoenixcontact.com/us/products/2316402>

Please be informed that the data shown in this PDF document is generated from our online catalog. Please find the complete data in the user documentation. Our general terms of use for downloads are valid.

Axioline P terminator pair



## Product description

The terminator pair is necessary for the Axioline P system to run, as its function is to terminate the communication on the backplane at each end of the station.

## Commercial data

Item number	2316402
Packing unit	1 pc
Sales key	DR06
Product key	DRIPZ4
Catalog page	Page 98 (C-6-2019)
GTIN	4055626368313
Weight per piece (including packing)	23.3 g
Weight per piece (excluding packing)	23.2 g
Customs tariff number	85480090
Country of origin	US

# AXL P TERM PAIR - Termination block

2316402

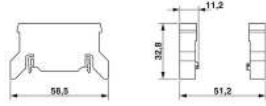
<https://www.phoenixcontact.com/us/products/2316402>

## Technical data

### Product properties

Product type	Terminal resistor
--------------	-------------------

### Dimensions

Dimensional drawing	
Width	11.55 mm
Height	58.5 mm
Length	33.7 mm

### Material specifications

Color	black
-------	-------

### Environmental and real-life conditions

#### Ambient conditions

Degree of protection	IP20
Ambient temperature (operation)	-40 °C ... 70 °C (Mounting position: wall mounting on horizontal DIN rail)
Ambient temperature (storage/transport)	-40 °C ... 85 °C
Altitude	2000 m (above sea level)
Permissible humidity (operation)	5 % ... 95 % (non-condensing)
Permissible humidity (storage/transport)	5 % ... 95 %

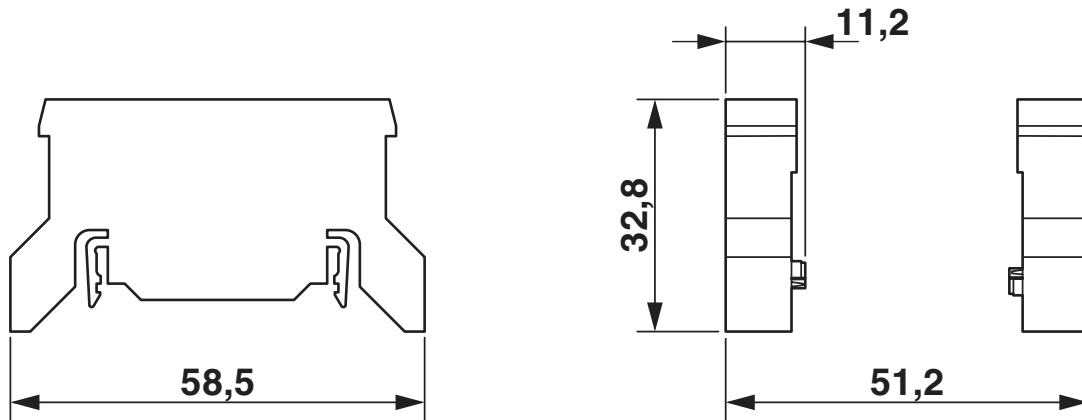
# AXL P TERM PAIR - Termination block

2316402

<https://www.phoenixcontact.com/us/products/2316402>

## Drawings

Dimensional drawing



# AXL P TERM PAIR - Termination block



2316402

<https://www.phoenixcontact.com/us/products/2316402>

## Classifications

### ECLASS

ECLASS-11.0	27242610
ECLASS-12.0	27242610
ECLASS-13.0	27242610

### ETIM

ETIM 8.0	EC001600
----------	----------

### UNSPSC

UNSPSC 21.0	32151600
-------------	----------

# AXL P TERM PAIR - Termination block



2316402

<https://www.phoenixcontact.com/us/products/2316402>

## Environmental product compliance

China RoHS	Environmentally Friendly Use Period = 50 years For information on hazardous substances, refer to the manufacturer's declaration available under "Downloads"
------------	--

Phoenix Contact 2023 © - all rights reserved  
<https://www.phoenixcontact.com>

Phoenix Contact USA  
586 Fulling Mill Road  
Middletown, PA 17057, United States  
(+717) 944-1300  
[info@phoenixcon.com](mailto:info@phoenixcon.com)