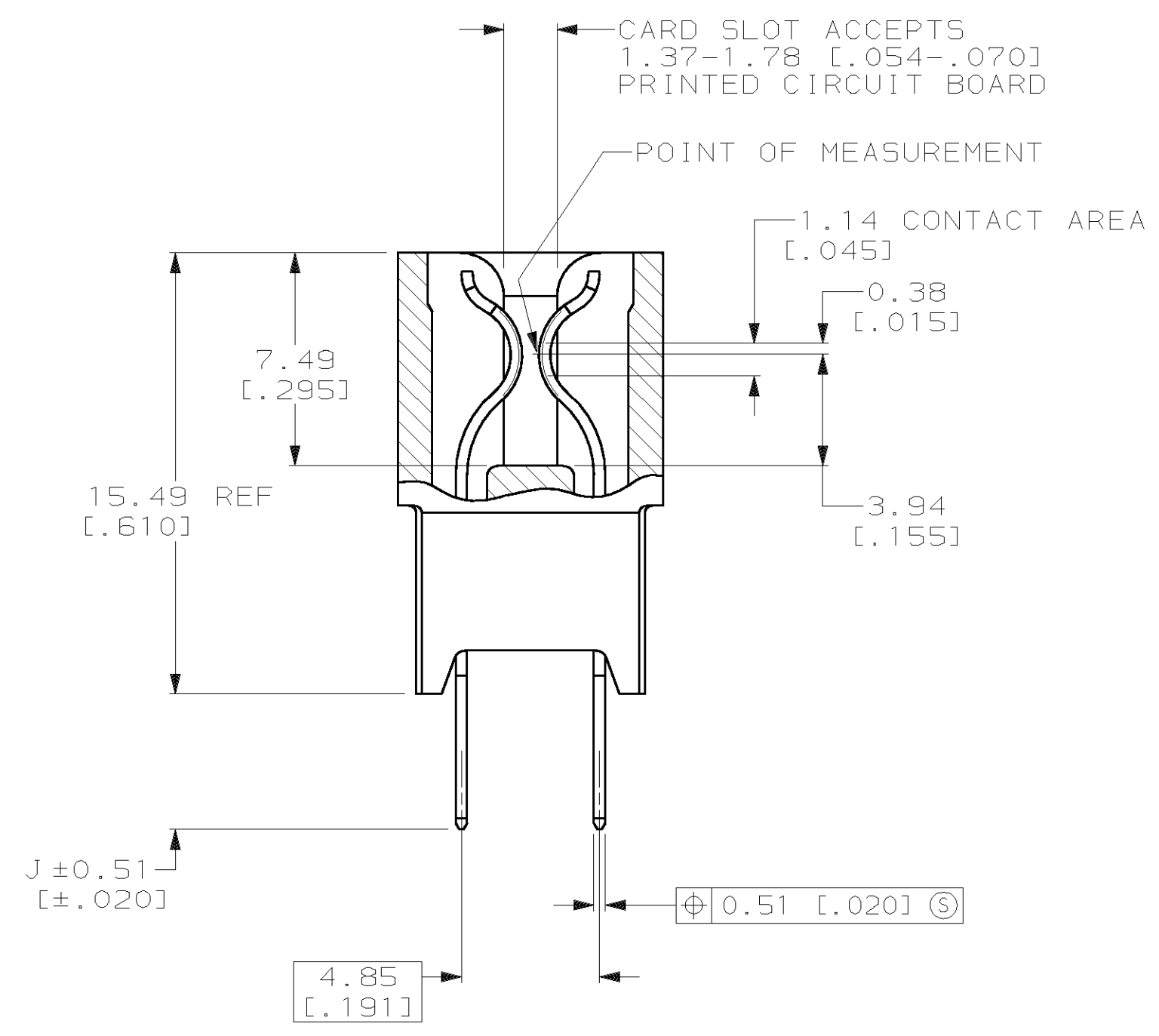
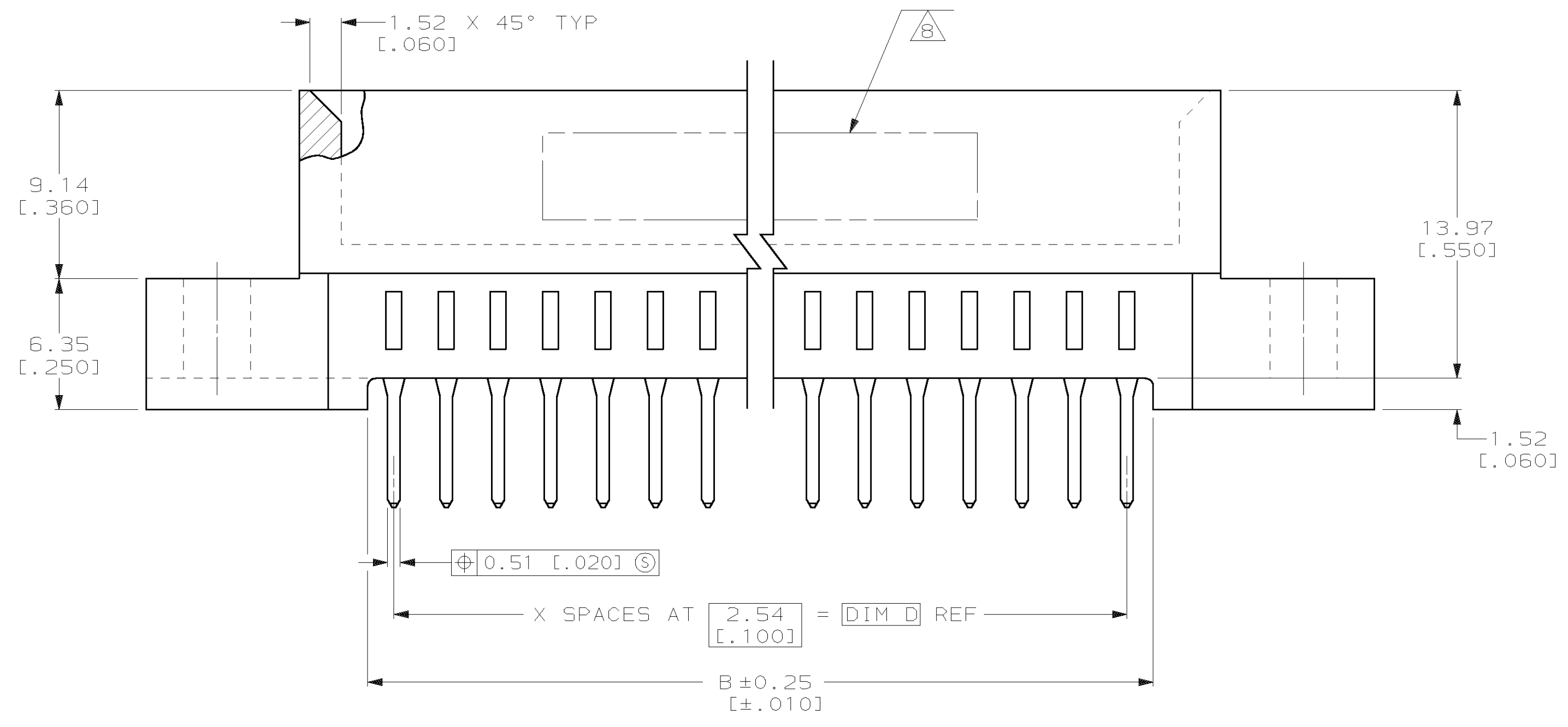
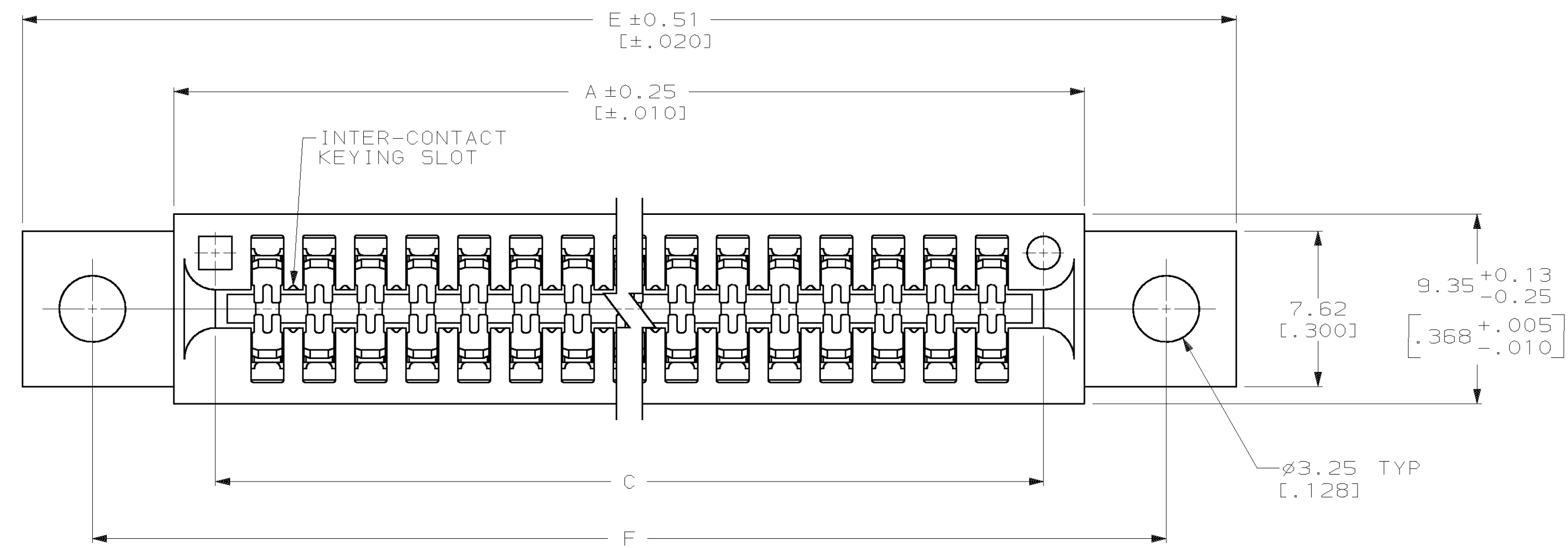


LOC	DIST	P	F	ZONE	LTR	DESCRIPTION	DATE	APPD
GP	00							
				S		REDRAWN PER AD6245	8/10/93	JD
				T		REVISED PER 0010-1201-93	11/11/94	SG JD
				U		REVISED PER 0010-0827-96	11/1/96	RB DG
				V		REVISED PER 0430-0287-96	8/12/97	RB MP
				W		REVISED PER 0651-0074-98	8/4/98	RB AV
				Y		REV PER EC 051B-0118-00	8/31/00	NF DE



- 1 HOUSING: GLASS FILLED POLYESTER; COLOR: BLACK.
- 2 CONTACT: PHOSPHOR BRONZE.
- 3 NICKEL UNDERPLATE: 0.00127 [0.000050] MIN - ALL OVER.
- 4 TIN-LEAD PLATE: 0.00254 [0.000100] MIN - SOLDER POSTS.
- 5 GOLD PLATE: 0.00038 [0.000015] MIN - CONTACT AREA.
- 6 GOLD PLATE: 0.00076 [0.000030] MIN - CONTACT AREA.
- 7 NICKEL PLATE PER MIL-G-45204. GOLD PLATE PER QQ-N-290.
- 8 AMP PART NUMBER, DATE CODE AND CSA LOGO ARE MARKED IN APPROXIMATE AREA SHOWN, EITHER SIDE.
- 9. RECOMMENDED PCB FINISHED HOLE DIA: 1.02±0.08 [0.40±.003].

DO NOT SCALE PRINT. UNLESS SPECIFIED DIMENSIONS IN mm [INCHES] TOLERANCES ON: 2 PLC DEC ± 0.13 [0.005] 3 PLC DEC ± - ANGLES ± -	DR 8/10/93 R BROWN	AMP Incorporated Harrisburg, PA 17105-3508
	CHK 8/10/93 J DIORAZIO	
MATERIAL HOUSING: 1 CONTACT: 2	APPD 8/10/93 J DIORAZIO	NAME CONNECTOR ASSEMBLY, STANDARD EDGE II, 2.54 [0.100] C
	APPD 8/10/93 M THUMMA	PRODUCT SPEC 108-9039
FINISH CONTACT: SEE TABLE	APPLICATION SPEC -	SIZE D
		CAGE CODE 00779
		DRAWING NO. 530841
		SCALE 5:1
		SHEET 1 OF 2

