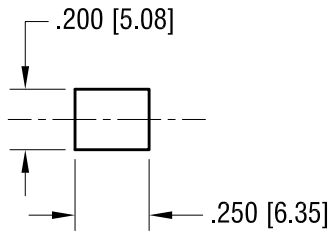
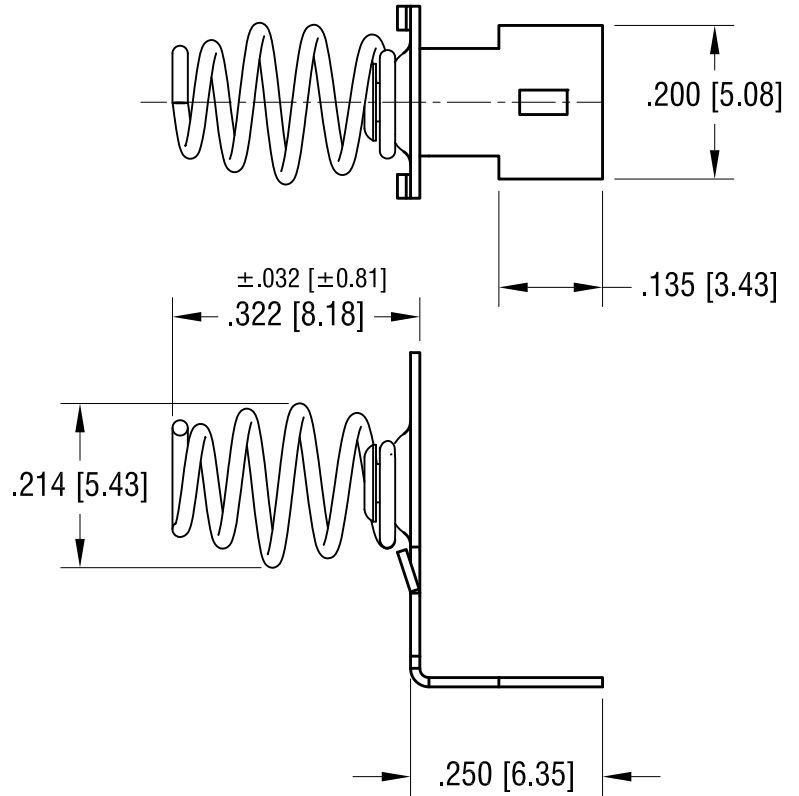
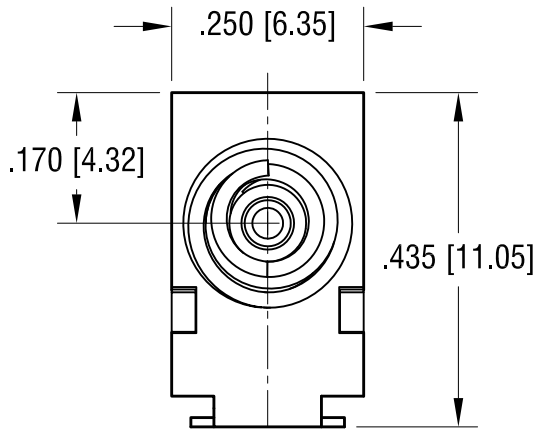


MOUNTING PAD LAYOUT



THIS DOCUMENT IS THE PROPERTY OF
KEYSTONE ELECTRONICS CORP. AND
SHALL NOT BE REPRODUCED, DISTRIBUTED
OR USED AS A BASIS FOR MANUFACTURE
WITHOUT PRIOR WRITTEN PERMISSION
FROM KEYSTONE ELECTRONICS CORP.

ACTUAL SIZE



NOTE:

1. BASE: MAT'L- .012 TH'K STAINLESS STEEL
2. SPRING: MAT'L- .020 DIA, MUSIC WIRE
3. SPRING EYELETED TO THE BASE

KEYSTONE ELECTRONICS CORP.

www.keyelco.com • ASTORIA, N.Y. 11105-2017 • Tel (718) 956-8900

PART NAME				SM BATTERY CONTACT			
MATERIAL				AS NOTED			
FINISH		DRN BY		DATE		SCALE	
GOLD PLATED		NT		8.02.16		4X	
TOLERANCES		INCH		[MM]		CODE	
DECIMAL		± .005		[± 0.13]		C	
ANGULAR		± 1°		UNLESS OTHERWISE SPECIFIED		DWG NO.	
						1076-2	

DATE	DESCRIPTION	REV.