

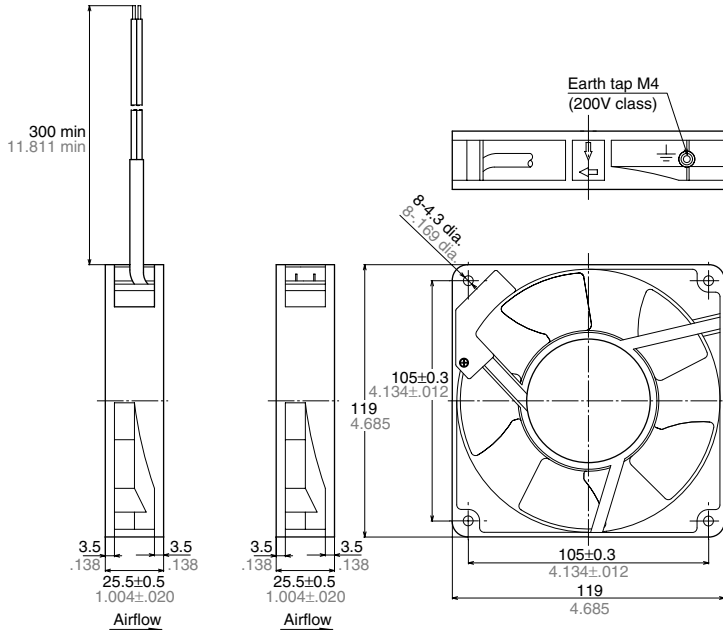
AC Fan Motor 120 sq.×25t (ASEN1)



AC Fan Motor

120 sq.×25t (ASEN1)

DIMENSIONS (mm inch)



RoHS Directive compatibility

Lead wire type 2 terminals type

RATING

1. Lead wire type, Standard speed

Part number	Rated voltage (V)	Frequency (Hz)	Input power, $\pm 10\%$ (W)	Rated current*1 (mA)	Locked current*3 (mA)	Rotation speed*2 (r/min)	Max. air flow*2 (m ³ /min)	Max. static pressure*2 (Pa)	Noise*3 (dB(A))	Operating voltage range (V) (%)	Weight (kg)
ASEN10211	100	50/60	14/11	220/180	220/200	2300/2700	1.8/2.0	41.2/41.2	34/38 (42/46)	±10	0.36
ASEN10212	115			190/160	200/180						
ASEN10214	200			110/90	120/100						
ASEN10216	230			100/90	110/100						

2. 2 terminals type, Standard speed

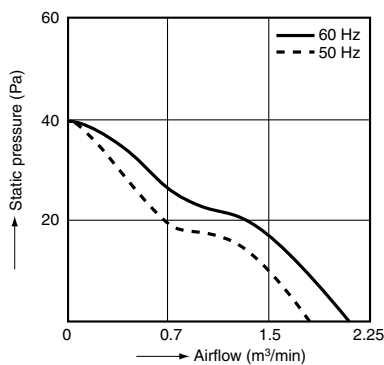
Part number	Rated voltage (V)	Frequency (Hz)	Input power, $\pm 10\%$ (W)	Rated current*1 (mA)	Locked current*3 (mA)	Rotation speed*2 (r/min)	Max. air flow*2 (m ³ /min)	Max. static pressure*2 (Pa)	Noise*3 (dB(A))	Operating voltage range (V) (%)	Weight (kg)
ASEN102519	100	50/60	14/11	220/180	220/200	2300/2700	1.8/2.0	41.2/41.2	34/38 (42/46)	±10	0.36
ASEN102529	115			190/160	200/180						
ASEN102549	200			110/90	120/100						
ASEN102569	230			100/90	110/100						

*1: Designates maximum values, *2: Designates minimum values, *3: Designates average values

Notes: 1. Values above without designations are averages.

2. Noise level was measured at a distance of 1 m from side of fan. Values in brackets were measured at a distance of 1 m from front of fan.

DATA (Airflow - Static pressure Characteristic Curve)



MATERIALS USED

Frame: aluminum alloy die-casting
 Propeller: plastic
 Bearings: ball bearings
 Lead wires: UL3266 and AWG22

Terminal: Equivalent to Faston #110
 Label: 100 V class...black base
 200 V class...red base

SPECIFICATIONS

Ambient temperature	-10°C to +60°C +14°F to +140°F	
Ambient humidity	15 to 85%RH	
Storage temperature	-20°C to +70°C -4°F to +158°F	
Breakdown voltage	1,500 V AC for 1 min. (between charging section and frame)	
Insulation resistance	Min. 100MΩ (at 500 V DC megger)(between charging section and frame)	
Insulation class	UL:A class, CSA:B class	
Vibration resistance	Frequency	10 to 55Hz
	Double amplitude width	0.75mm
	Applied direction	X, Y and Z directions
	Applied time	10 min. in each direction
Protection	Impedance protected	
Mean life	MTTF: 50,000 hrs. (Time it takes until rotation frequency drops 30% of initial value when run continuously under 25°C 77°F and room humidity at the nominal voltage.)	

Disclaimer

The applications described in the catalog are all intended for examples only. The purchase of our products described in the catalog shall not be regarded as granting of a license to use our products in the described applications. We do NOT warrant that we have obtained some intellectual properties, such as patent rights, with respect to such applications, or that the described applications may not infringe any intellectual property rights, such as patent rights, of a third party.

Panasonic
INDUSTRY

Panasonic Industry Co., Ltd.

Industrial Device Business Division
7-1-1, Morofuku, Daito-shi, Osaka 574-0044, Japan
industrial.panasonic.com/ac/e/