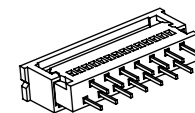
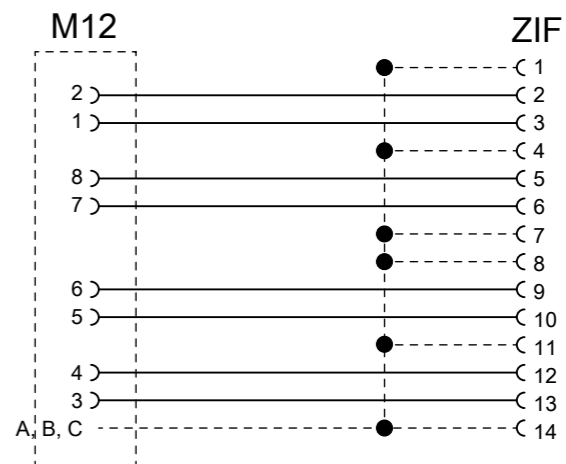


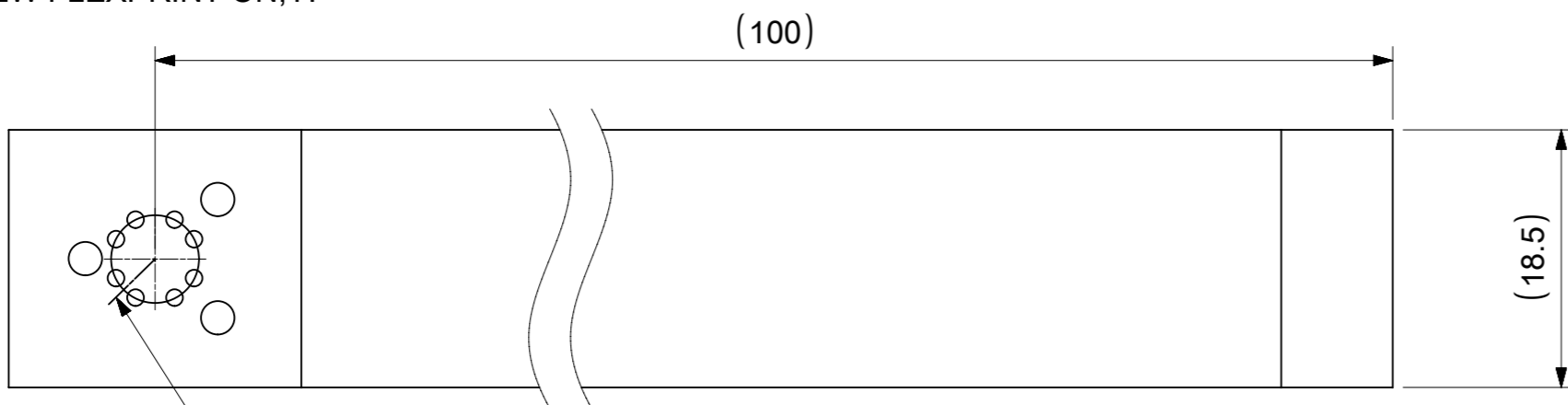
SCALE 1:1



WIRING DIAGRAM



VIEW FLEXPRIINT ON;Y:



FRONT VIEW - PLACEMENT SIDE

CODING

NOTES:

ELECTRICAL PROPERTIES:

- RATED VOLTAGE: 48V
- CURRENT: 0.5A PER PIN
- IMPEDANCE 100 Ohm
- TRANSMISSION CHARACTERISTIC: CAT6A

MECHANICAL PROPERTIES:

- FLEXPRIINT: PCB
- ZIFCONNECTOR SEE: MOLEX PN 3953 2145
- 14 POL 1.25 PITCH.

BOM

PIN	QTY	DESCRIPTION	MATERIAL	FINISH
3	1	FLEX CONNECTOR 14 POL 1.2 PITCH	-	-
2	1	FLEX FR4 1L SHLD 20X115	PCB	-
1	1	M12 CAT6A REC ASSY BACK MOUNT	-	-

DOCUMENT STATUS | P1 | RELEASE DATE | 2020/07/06 | 11:59:04

SYMBOLS THIS DRAWING CONTAINS INFORMATION THAT IS PROPRIETARY TO MOLEX ELECTRONIC TECHNOLOGIES, LLC AND SHOULD NOT BE USED WITHOUT WRITTEN PERMISSION DIMENSION UNITS: mm SCALE: 2:1 GENERAL TOLERANCES (UNLESS SPECIFIED): ANGULAR TOL: ± ° 4 PLACES: ± 3 PLACES: ± 2 PLACES: ± 0.05 1 PLACE: ± 0.1 0 PLACES: ± DRAFT WHERE APPLICABLE MUST REMAIN WITHIN DIMENSIONS THIRD ANGLE PROJECTION	CURRENT REV DESC: EC NO: 640862 DRWN: SSM 2020/06/22 CHK'D: RSILLER 2020/07/06 APPR: RSILLER 2020/07/06 INITIAL REVISION: DRWN: SSM 2020/06/22 APPR: RSILLER 2020/07/06				
	REC M12 CAT6A 8P 14P XC FE RA 10CM BM FLEX 1L SHLD 1.25PI				
DOCUMENT NUMBER: 1203410260 DOC TYPE: PSD DOC PART: 000 REVISION: A		MATERIAL NUMBER: 1203410260 CUSTOMER: GENERAL MARKET SHEET NUMBER: 1 OF 1			