

1 2 3 4 5 6 7 8

F

F

E

E

D

D

C

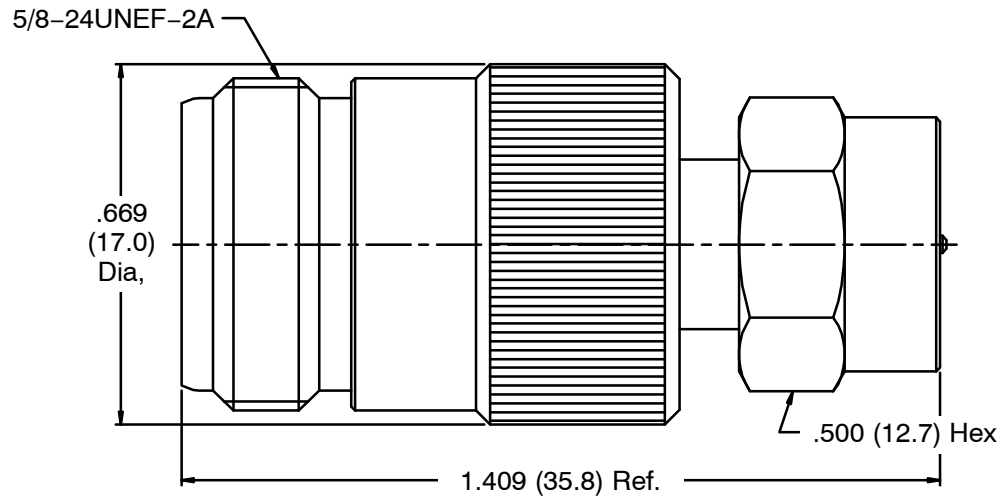
C

B

B

A

A



- NOTES: Finish (Plating Thickness in Micro-inches)
1. Brass
 2. Nickel Pl. 100 Min. Thick over Copper Pl. 50 Min. Thick
 3. Phosphor Bronze
 4. Gold Pl. 5 Min Thick over Copper Pl. 50 Min. Thick over Copper Pl. 50 Min Thick
 5. Teflon

RoHS Compliant

Dimensions are in Inches				Part No.		<h1>NTE Electronics</h1>			
Unless Otherwise Specified Tolerances				Approved	Date		Title		
0.5-6 = ±0.2					12-14-2018		N Jack to F Plug Adapter		
6-30 = ±0.4				Checked	Date				
30-120 = ±0.6					12-14-2018	Drawing No.			
120-315 = ±1				Drawn	Date	06-N005			
315-1000 = ±1.6					12-14-2018	File No.			
1000-2000 = ±2.4									
No.	Description	Material	Finish	Q'ty	Drawing No.	Scale	3/1	Issue	A

1 2 3 4 5 6 7 8