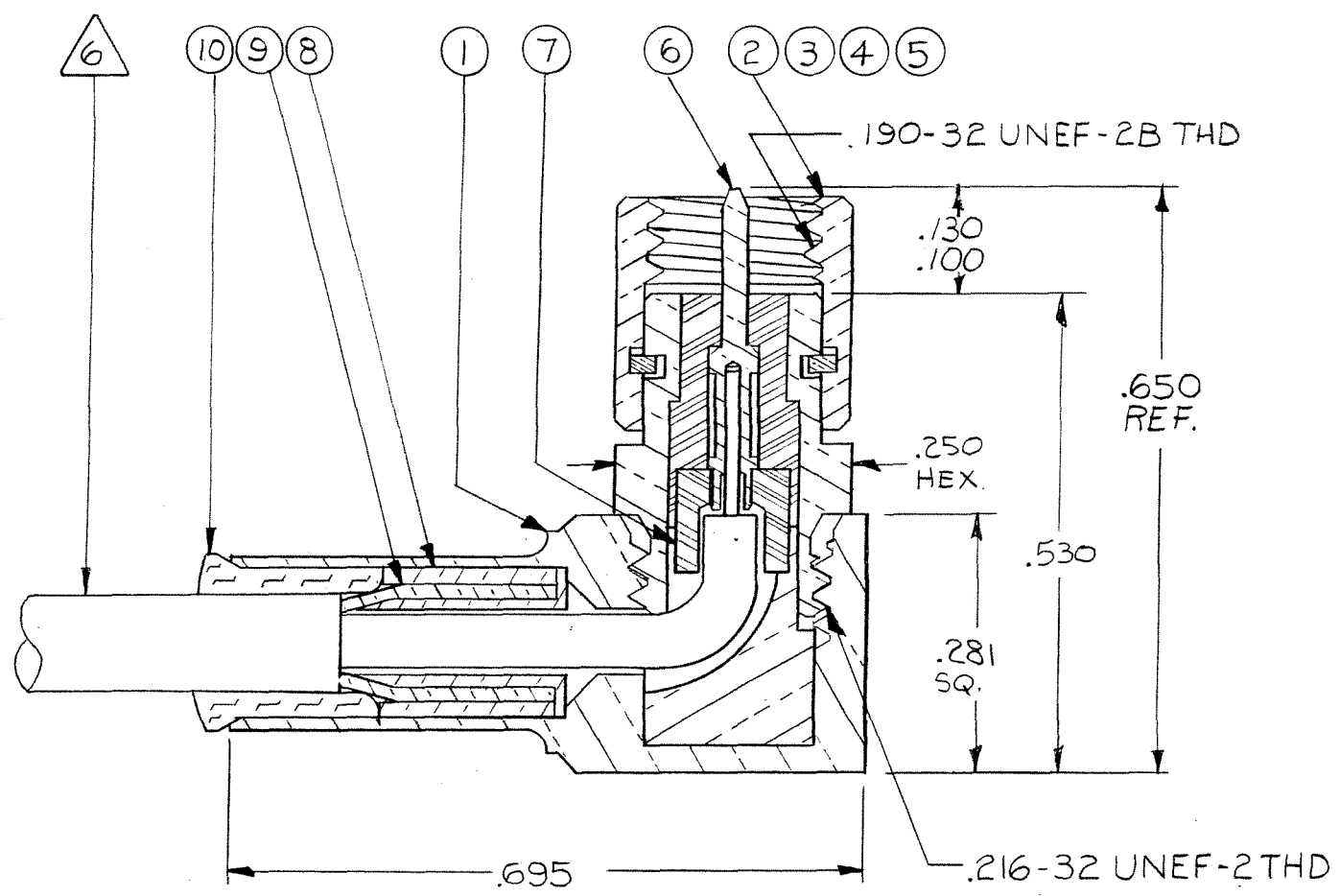


REVISIONS					
ZONE	LTR	ECN	DESCRIPTION	DATE	APPROVED
	C	23873	REVISED & REDRAWN	4/11/79	<i>[Signature]</i>



PD 9-1532231-7

TYCO CUSTOMER DWG 8-1532149-2

NOTES: UNLESS OTHERWISE SPECIFIED

- THIS CONNECTOR MATES WITH ALL 50Ω GOLDEN CRIMP, CRIMP SILVER & S-50 JACKS & RECEPTACLES AS LISTED IN TYCO CATALOG.
- SEE RF-ASMB-11 ASSEMBLY INSTRUCTIONS. SPECIAL TOOLS REQUIRED: CONTACT CRIMP: 010-0134-0000 & LOCATOR 001-0104-0000. ALTERNATE TOOL 010-0065-0000 (NO LOCATOR REQ'D). HOUSING CRIMP: 010-0082-0000.
- FOR ELECTRICAL & MECHANICAL SPECS SEE TYCO CATALOG.

△ 4 HOUSING, FERRULE, COUPLING NUT, MIDDLE SLEEVE & INNER SLEEVE ARE GOLD PLATED PER MIL-G-45204, TYPE II GRADE C, CLASS I.

△ 5 COUPLING NUT HAS SAFETY WIRE HOLES WHICH ACCEPT .021 DIA. MAX. WIRE.

△ 6 CABLE ACCOMMODATION DIM.S:
 JACKET DIA. .110 MAX.
 DIELECTRIC DIA. .057-.074
 INNER CONDUCTOR DIA. .009-.020
 FOR USE WITH EXTRUDED OR WRAPPED JACKET.

				PART NO.	DESCRIPTION	MAT'L & SPEC.	ITEM NO.
				003-0861-0001	SEALING SLEEVE	SILICONE RUBBER PER ZZ-R-765	10
△ 4				003-1243-0002	INNER SLEEVE	BRASS PER QQ-B-626	9
△ 4				003-0938-0002	MIDDLE SLEEVE	LEADED COPPER	8
				003-1242-0001	CABLE INSULATOR	TEFLON PER. L-P-403	7
△ 4				003-0807-0002	PIN CONTACT	BERYLLIUM COPPER PER. QQ-C-530	6
△ 5				003-1233-0004	FERRULE SUBASSY. NUT .250 HEX.		5
△ 4				003-1233-0003	FERRULE SUBASSY. NUT .250 HEX.		4
△ 4				003-1233-0002	FERRULE SUBASSY. NUT .250 KNURL		3
△ 4				003-1233-0001	FERRULE SUBASSY. NUT .250 PARTIAL HEX.		2
△ 4				003-1239-0002	HOUSING SUBASSY.		1
	4321			DASH NO.			

UNLESS OTHERWISE SPECIFIED DIMENSIONS ARE IN INCHES TOLERANCES ARE:	CONTRACT NO.
FRACTIONS DECIMALS ANGLES	APPROVALS
± .XX ± ±	DATE
± .XXX ± .015	DRAWN R.T. CRUZ 1-3-79
MATERIAL	CHECKED J. Anderson 2/12/79
NOTED	PR. ENG. RAM 4-11-79
FINISH	APPROVED
NOTED	
NEXT ASSY	USED ON
APPLICATION	DO NOT SCALE DRAWING

MALCO A MICRODOT COMPANY, INC. 220 PASADENA AVE., SO. PASADENA, CALIF. 91030		PROD. CODE 941 CODE CDM
RIGHT ANGLE PLUG NON-ENVIRONMENTAL GOLDEN CRIMP 50Ω		DRAWING NO. 132-0118-000*
SIZE B	CODE IDENT NO. 98278	SHEET 1 OF 1