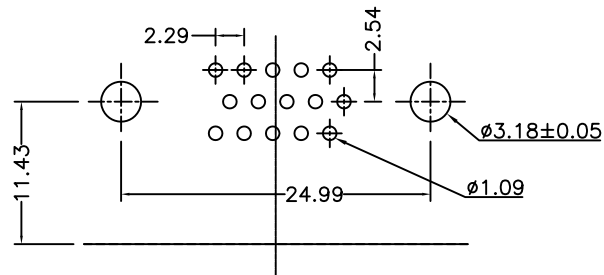
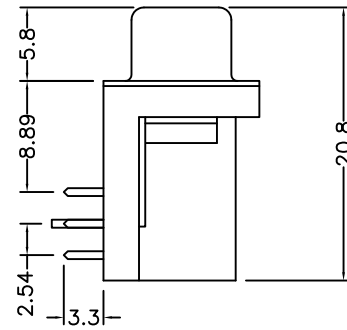
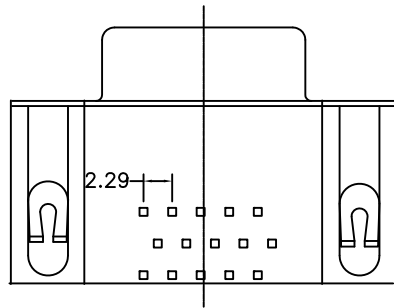
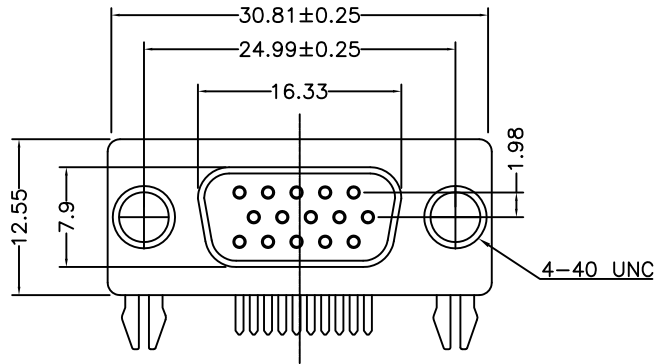


REV.	SPECIFICATION	ECN NO.	APPD.



P.C. Board Layout

Material:

Housing: PBT, UI94V-0, Black.

Contacts: Brass, Gold Plated over Nickel 40u"

Shell: Steel

Electrical Characteristics:

Current Rating: 1 AMP.

Dielectric Withstanding Voltage: AC 1000V.



Insulator Resistance: 1000M Ω min.

Contact Resistance: 20m Ω max.

Operating Temperature: -55°C~+105°C.

***RoHS Compliant**

7916- 15 F B A -A002
 Series Position F: Female B: With Grounding Forks and With Riveted Threaded Inserts. A: Tray Package Plastic Height: 20.8mm

Tolerances	Dwg. No.	7916D02013		Title:		 OUPIIN ELECTRONIC(KUNSHAN) CO., LTD. P/N: 7916-15FBA-A002			
x = ±0.50	Projection			7916 Series H.D. D-SUB Right Angle Type					
.x = ±0.25	Unit	mm	Scale			1/1	SHEET	1/1	Ver. No.
.xx = ±0.15	Drawn By	Ping 09/06'19		① 512					