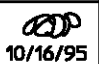
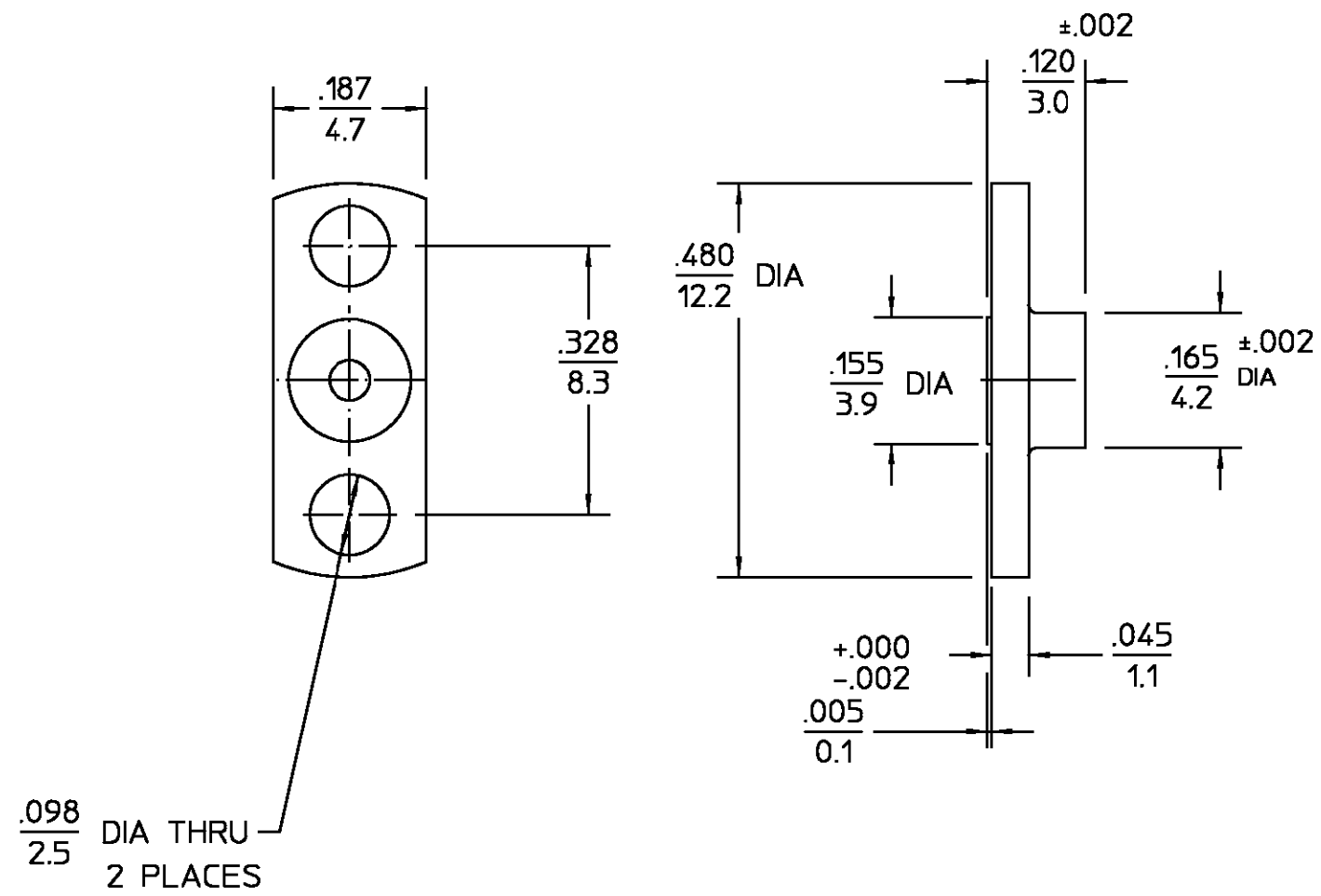


REVISIONS			
REV	DESCRIPTION	DATE	APPROVED
03 ₀	REVISED	10/16/95	



SHROUD	STAINLESS STEEL PER ASTM-A484 AND ASTM-A582, TYPE 303	PASSIVATE PER QQ-P-35															
COMPONENT	MATERIAL	FINISH															
UNLESS OTHERWISE SPECIFIED DIMENSIONS ARE IN INCHES TOLERANCE ON FRAC. DEC. ANGLES ± 1/64 ±.005 ± °	DRAWN BY: <i>M. Downs</i> DATE: 4/20/92	AMP Incorporated 140 Fourth Avenue Waltham, MA 02451-7599															
	CHECKED BY: <i>M.M.</i> DATE: 4/20/92																
These drawings and specifications are the property of M/A-COM Incorporated and shall not be reproduced or copied or used in whole or in part as the basis for the manufacture or sale of item(s) without written permission.	APPD BY: <i>RAC</i> DATE: 4/21/92	<table border="1"> <tr> <td colspan="2">TITLE</td> <td>REV</td> </tr> <tr> <td colspan="2">OSMP SHROUD FULL DETENT</td> <td>03₀</td> </tr> <tr> <td>SIZE</td> <td>CODE IDENT NO.</td> <td></td> </tr> <tr> <td>B</td> <td>26805</td> <td>2998-5001-02</td> </tr> <tr> <td>SCALE</td> <td>5:1</td> <td>SHEET 1 OF 1</td> </tr> </table>	TITLE		REV	OSMP SHROUD FULL DETENT		03 ₀	SIZE	CODE IDENT NO.		B	26805	2998-5001-02	SCALE	5:1	SHEET 1 OF 1
	TITLE		REV														
	OSMP SHROUD FULL DETENT		03 ₀														
SIZE	CODE IDENT NO.																
B	26805	2998-5001-02															
SCALE	5:1	SHEET 1 OF 1															
USE ASS'Y PROCEDURE	NO. AP. 408-04752 (29-006)																

.XXX = in
XX.X = mm