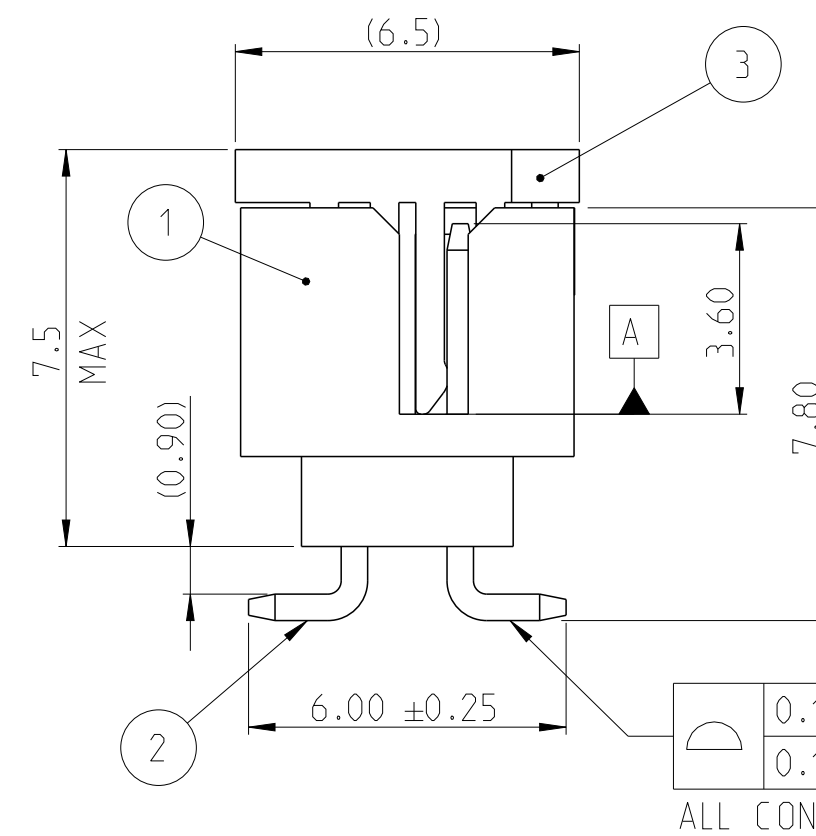
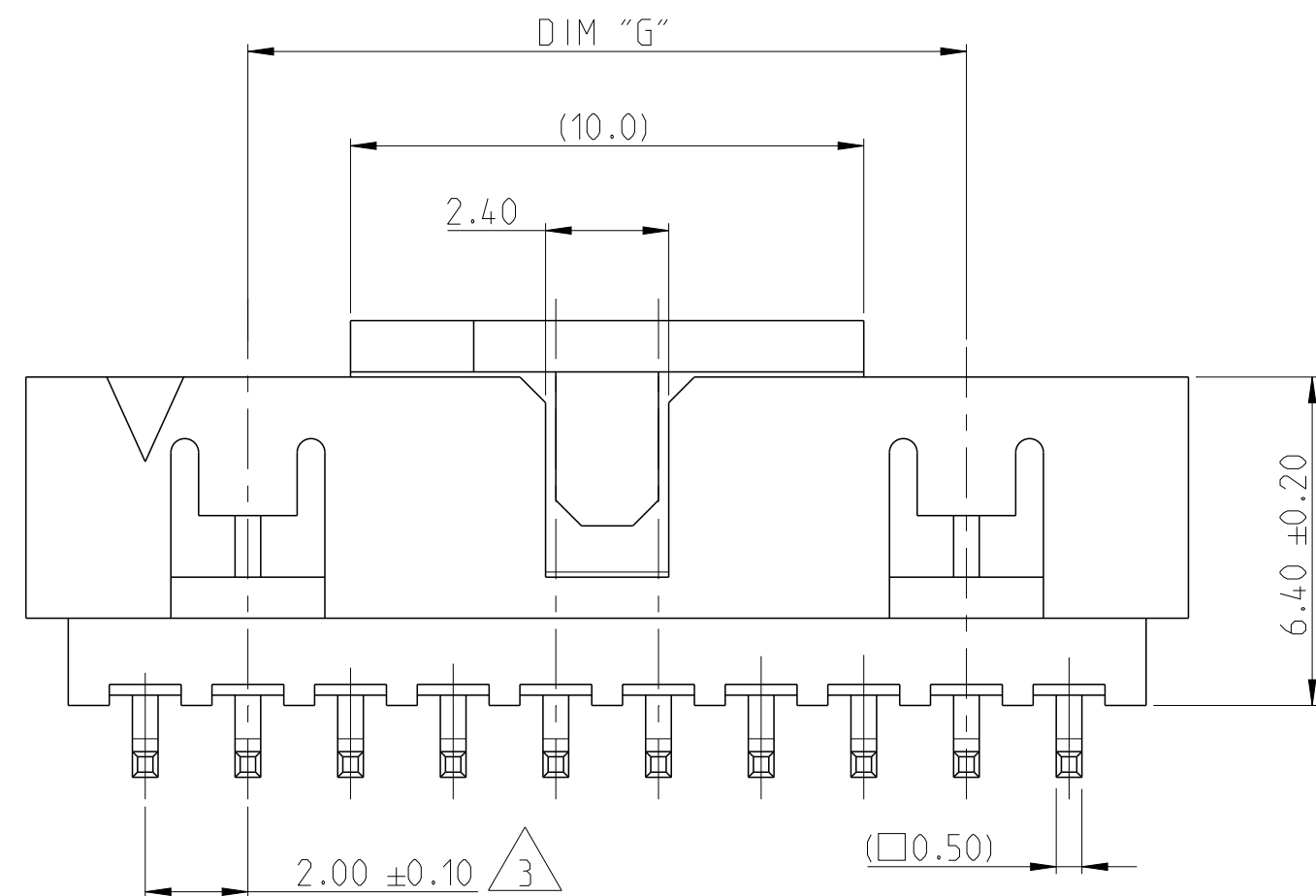


REVISIONS					
P	LTR	DESCRIPTION	DATE	DWN	APVD
A		RELEASE TO PRODUCTION	09DEC2019	AY	PS
A1		DIMENSION F REMOVED FROM PCB LAYOUT	11JUN2020	AY	PS

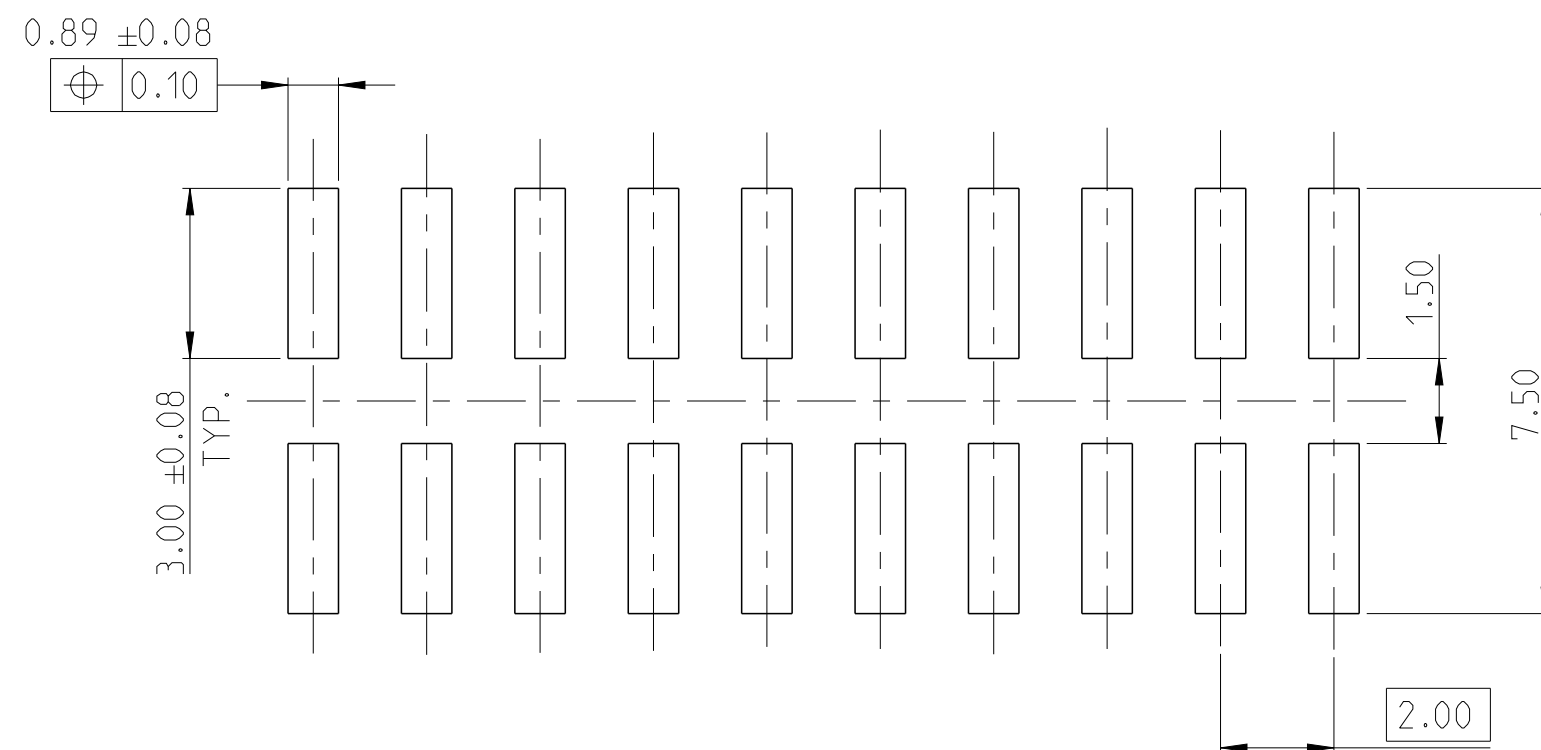
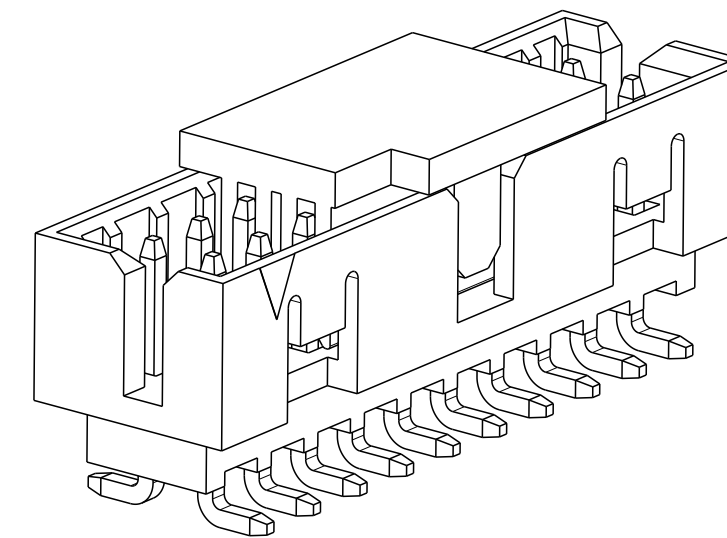
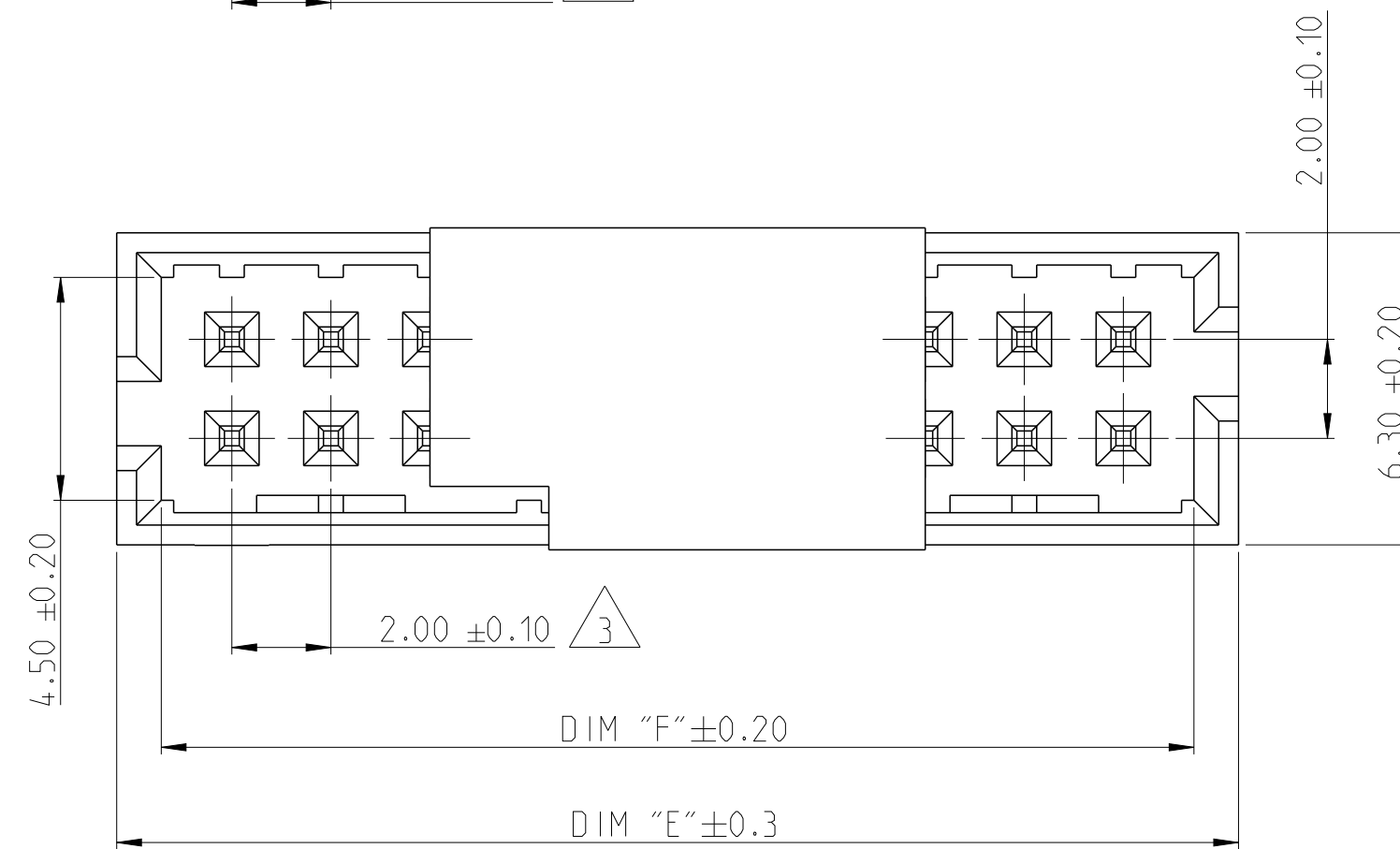


NOTES:

- MATERIAL
HOUSING & P&P CAP : HIGH TEMPERATURE THERMOPLASTIC, UL94-V0; COLOR- BLACK
CONTACT PIN : COPPER ALLOY
FINISH : MIN. 2.0 μm TIN OVER NICKEL UNDER PLATING.
 - PACKAGING: TUBE (WITH PICK AND PLACE CAP)
- ⚠ TOLERANCE NOT CUMULATIVE.

0.10	A	14-26 POS
0.15	A	30-50 POS

ALL CONTACTS



2-2842243-0 AS SHOWN

44	50.85	52.65	50	5-2842243-0
38	44.85	46.65	44	4-2842243-4
34	40.85	42.65	40	4-2842243-0
28	34.85	36.65	34	3-2842243-4
24	30.85	32.65	30	3-2842243-0
20	26.85	28.65	26	2-2842243-6
18	24.85	26.65	24	2-2842243-4
14	20.85	22.65	20	2-2842243-0
10	16.85	18.65	16	1-2842243-6
8	14.85	16.65	14	1-2842243-4
DIM "G" DIM "F" DIM "E"			POS.	TE PN.

THIS DRAWING IS A CONTROLLED DOCUMENT.

DWN ANKIT YADAV 12NOV2019
CHK KARTHIK JK 25NOV2019
APVD PRASHANTH S. 27NOV2019

STE TE Connectivity	
NAME AMPMODU 2mm, SHROUDED HEADER, DUAL ROW, VERTICAL SMD, SN, TUBE WITH PICK AND PLACE CAP	
SIZE A2	CAGE CODE 00779
DRAWING NO. C-2842243	RESTRICTED TO -
SCALE 5:1	SHEET 1 OF 1
CUSTOMER DRAWING	REV A1

PICK AND PLACE CAP	3
CONTACT PIN	2
HOUSING	1
DESCRIPTION	ITEM NO.

DIMENSIONS:	TOLERANCES UNLESS OTHERWISE SPECIFIED:
mm	0 PLC ±
	1 PLC ±
	2 PLC ±0.25
	3 PLC ±
	4 PLC ±
	ANGLES ±2°
MATERIAL	FINISH
SEE NOTES	-
	-