

10 9 8 7 6 5 4 3 2 1

F

E

D

C

B

A

F

E

D

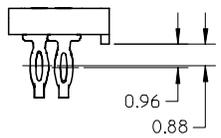
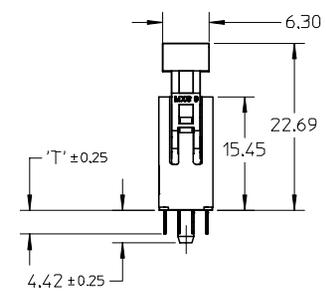
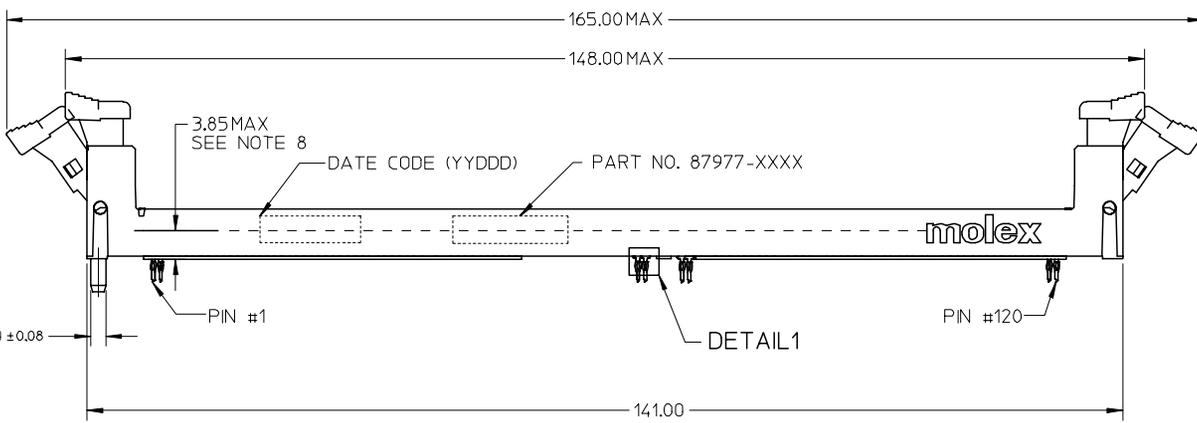
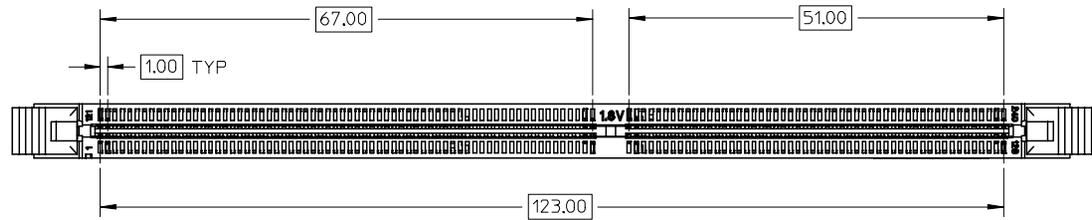
C

B

A

NOTES:

1. MATERIALS
 HOUSING - HIGH TEMP. NYLON, GLASS FILLED, UL 94V-0, BLACK
 EJECTOR - HIGH TEMP. NYLON, GLASS FILLED, UL 94V-0, NATURAL
 BASE PLATE - HIGH TEMP. NYLON, GLASS FILLED, UL 94V-0
 TERMINAL - COPPER ALLOY
2. PLATING - SEE TABLE IN SHEET 5.
3. CARD SLOT ACCEPTS 1.27±0.10 MM MODULE THICKNESS.
 (MEASURED OVER P.C. PADS)
4. RECOMMENDED MODULE LAYOUT SHALL BE AS PER JEDEC MO-14-066.
5. REFER TO PRODUCT SPEC. PS-87977-030 FOR PERFORMANCE SPECIFICATIONS.
6. PRODUCT SHALL BE PACKED IN TRAY.
7. PRODUCT SHALL HAVE DATE CODE STAMPED ON SIDE OF HOUSING.
8. PRODUCT IS SUITABLE FOR WAVE SOLDERING ONLY.
9. KEEP OUT AREA IS THE AREA WHERE THE CONNECTOR IS MOUNTED ONTO THE PCB WHICH DOES NOT INCLUDE THE LATCH.
10. REFER TO CRITICAL JEDEC INFORMATION FOR SOCKET OUTLINE PER SO-001.
11. DIMM MODULE SEATING PLANE FROM TOP OF PCB.
12. CONTACT MOLEX FOR AVAILABILITY OF PRODUCT OPTIONS.

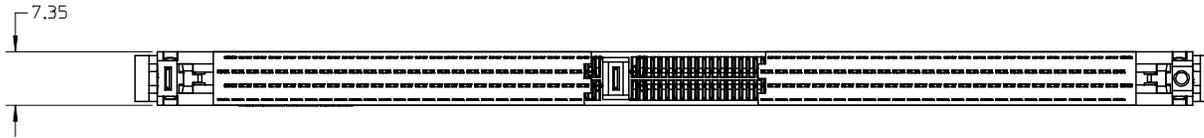


DETAIL 1

EC NO: S2006-0241 2005/09/01 DRWN: CCTEH CHKD: SRRAMESH 2005/09/01 APPR: GGLEE 2005/09/02	QUALITY SYMBOLS ▽=0 ▽=0	GENERAL TOLERANCES (UNLESS SPECIFIED)		DIMENSION STYLE MM ONLY		SCALE NTS	DESIGN UNITS METRIC	THIRD ANGLE PROJECTION		
		4 PLACES ± --- ± --- 3 PLACES ± --- ± --- 2 PLACES ± 0.20 ± --- 1 PLACE ± --- ± --- ANGULAR ± 5 °	mm INCH	DRAWN BY CCTEH DATE 2005/01/10	TITLE SALES DRAWING DDR FB DIMM 1.00MM PITCH 240 CKTS VERT. PRESS-FIT		APPROVED BY GGLEE DATE 2005/08/30	MOLEX INCORPORATED		MATERIAL NO. SEE TABLE
A	REV	DRAFT WHERE APPLICABLE MUST REMAIN WITHIN DIMENSIONS		SIZE A3		THIS DRAWING CONTAINS INFORMATION THAT IS PROPRIETARY TO MOLEX INCORPORATED AND SHOULD NOT BE USED WITHOUT WRITTEN PERMISSION				

9 8 7 6 5 4 3 2 1

10 9 8 7 6 5 4 3 2 1



F

E

D

C

B

A

F

E

D

C

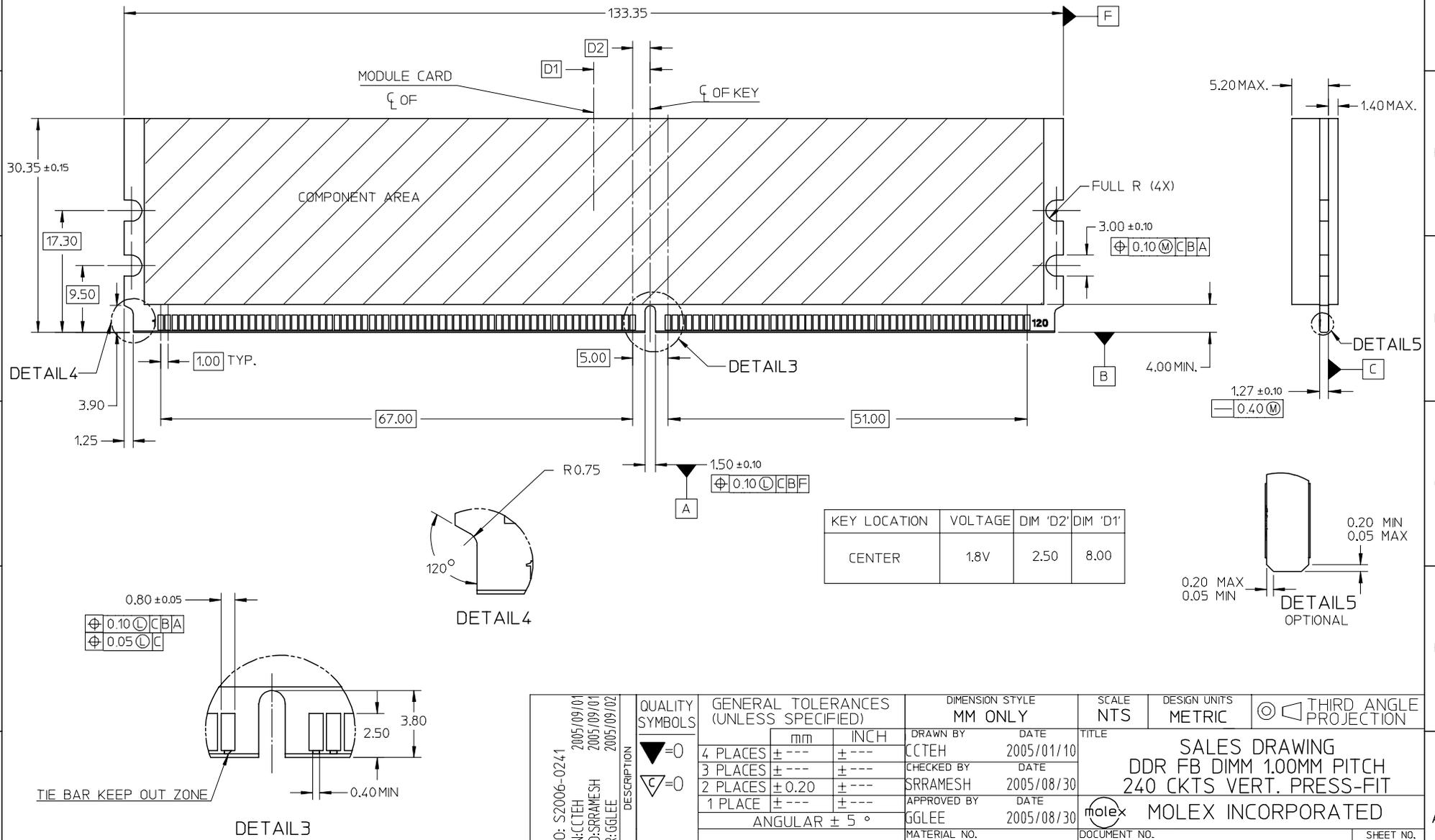
B

A

EC NO: S2006-0241 DRWN: CCTEH 2005/09/01 CHKD: SRRAMESH 2005/09/01 APPR: GGLEE 2005/09/02	DESCRIPTION REV	QUALITY SYMBOLS	GENERAL TOLERANCES (UNLESS SPECIFIED)		DIMENSION STYLE MM ONLY		SCALE NTS	DESIGN UNITS METRIC	THIRD ANGLE PROJECTION		
		$\nabla=0$ $\nabla C=0$	4 PLACES	mm	INCH	DRAWN BY CCTEH	DATE 2005/01/10	TITLE SALES DRAWING DDR FB DIMM 1.00MM PITCH 240 CKTS VERT. PRESS-FIT			
			3 PLACES			CHECKED BY SRRAMESH	DATE 2005/08/30				
			2 PLACES	± 0.20		APPROVED BY GGLEE	DATE 2005/08/30	MOLEX INCORPORATED			
	1 PLACE	\pm		MATERIAL NO.		DOCUMENT NO.	SHEET NO.				
A			DRAFT WHERE APPLICABLE MUST REMAIN WITHIN DIMENSIONS		SEE TABLE		SD-87977-020		2 OF 5		
THIS DRAWING CONTAINS INFORMATION THAT IS PROPRIETARY TO MOLEX INCORPORATED AND SHOULD NOT BE USED WITHOUT WRITTEN PERMISSION											

9 8 7 6 5 4 3 2 1

RECOMMENDED MODULE LAYOUT
(VARIATION AB, AS PER JEDEC MO-256A)



EC NO: S2006-0241 DRWN: CTEH 2005/09/01 CHKD: SRRAMESH 2005/09/01 APPR: GGLEE 2005/09/02	QUALITY SYMBOLS ▽=0 ▽=0	GENERAL TOLERANCES (UNLESS SPECIFIED)		DIMENSION STYLE MM ONLY		SCALE NTS	DESIGN UNITS METRIC	THIRD ANGLE PROJECTION	
		4 PLACES ± --- ± --- 3 PLACES ± --- ± --- 2 PLACES ± 0.20 ± --- 1 PLACE ± --- ± --- ANGULAR ± 5 °	mm INCH ± --- ± --- ± 0.20 ± --- ± --- ± --- ± --- ± ---	DRAWN BY CTEH	DATE 2005/01/10	TITLE SALES DRAWING DDR FB DIMM 1.00MM PITCH 240 CKTS VERT. PRESS-FIT		MOLEX INCORPORATED	
A	REV	DRAFT WHERE APPLICABLE MUST REMAIN WITHIN DIMENSIONS		MATERIAL NO. SEE TABLE		DOCUMENT NO. SD-87977-020		THIS DRAWING CONTAINS INFORMATION THAT IS PROPRIETARY TO MOLEX INCORPORATED AND SHOULD NOT BE USED WITHOUT WRITTEN PERMISSION	

10 9 8 7 6 5 4 3 2 1

PART NO.	KEY POS.	DIM 'T'	RECOMEMDED PCB THICKNESS	PLATING OPTION	LATCH COLOR
87977-0021	CENTER (1.8V)	3.15	3.30	0.38uM / 15 uIN MIN. GOLD ON CONTACT, 1.52uM/ 60uIN MIN. PURE TIN ON SOLDERTAILS, 1.27uM/ 50uIN MIN. NICKEL UNDERPLATE	NATURAL
87977-0051				0.76uM / 30 uIN MIN. GOLD ON CONTACT, 1.52uM/ 60uIN MIN. PURE TIN ON SOLDERTAILS, 1.27uM/ 50uIN MIN. NICKEL UNDERPLATE	
87977-9001				0.38uM / 15 uIN MIN. GOLD ON CONTACT, 1.52uM/ 60uIN MIN. TIN ON SOLDERTAILS, 1.27uM/ 50uIN MIN. NICKEL UNDERPLATE	BLACK

EC NO: S2006-0241 2005/09/01 DRWN:CCTEH CHKD:SRAMESH 2005/09/01 APPR:GGLEE 2005/09/02	QUALITY SYMBOLS  =0  =0	GENERAL TOLERANCES (UNLESS SPECIFIED)		DIMENSION STYLE MM ONLY		SCALE NTS	DESIGN UNITS METRIC	 THIRD ANGLE PROJECTION		
		4 PLACES	± ---	± ---	DRAWN BY CCTEH	DATE 2005/01/10	TITLE SALES DRAWING DDR FB DIMM 1.00MM PITCH 240 CKTS VERT. PRESS-FIT			
		3 PLACES	± ---	± ---	CHECKED BY SRAMESH	DATE 2005/08/30				
		2 PLACES	± 0.20	± ---	APPROVED BY GGLEE	DATE 2005/08/30	MOLEX INCORPORATED DOCUMENT NO. SD-87977-020			
		1 PLACE	± ---	± ---	MATERIAL NO.					
ANGULAR ± 5 °			DRAFT WHERE APPLICABLE MUST REMAIN WITHIN DIMENSIONS		SEE TABLE		THIS DRAWING CONTAINS INFORMATION THAT IS PROPRIETARY TO MOLEX INCORPORATED AND SHOULD NOT BE USED WITHOUT WRITTEN PERMISSION			

9 8 7 6 5 4 3 2 1