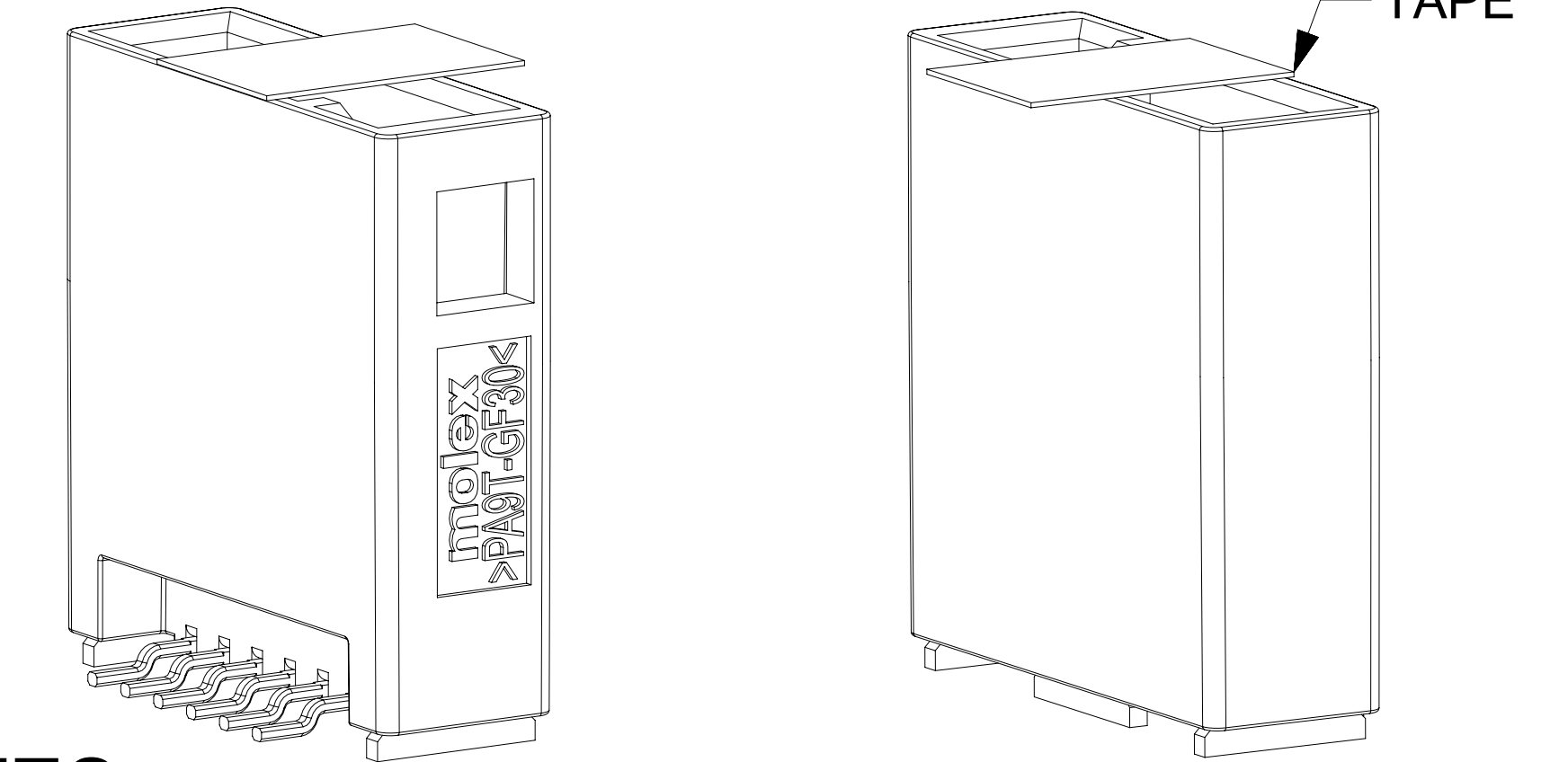


EXAMPLE:

PN 2080353041
 208035 - SERIES NUMBER: SINGLE ROW VERTICAL SMT HEADER - STD. PERF.
 3 - TYPE OF COMPONENT: V0 MATERIAL; WITH TAPE; FULLY POPULATED
 04 - 4 USABLE CIRCUITS
 1 - POL A

FINAL PART: 4CKT SINGLE ROW STANDARD PERFORMANCE VERTICAL SMT HEADER WITH TAPE - KEY A

CONNTAK50 SINGLE ROW VERTICAL SMT HEADERS (6CKT SHOWN)



	SERIES NUMBERS (AAAAAA)	TYPE OF COMPONENT (B)	USABLE CIRCUITS (CC)	KEY (D)
MATING COMPONENTS	205827 - SR TANG RECEPTACLE	2 - V0 MATL; NO TAPE; FULLY POPULATED 3 - V0 MATL; WITH TAPE; FULLY POPULATED	02 - 2 Circuits	1 - KEY A
ON DRAWING	208037 - SR CLEAN BODY RECEPTACLE		...	2 - KEY B
OTHER	208035 - SR VERTICAL SMT HEADER - STANDARD PERF.		...	3 - KEY C
	208033 - SR RIGHT ANGLE SMT HEADER - STANDARD PERF.		11 - 11 Circuits	4 - KEY D

NOTES:

VALID UNLESS OTHERWISE SPECIFIED

- GENERAL:
 - APPLICATION SPECIFICATION SEE: 2046310000-AS
 - PRODUCT SPECIFICATION SEE: 2046310000-PS
 - PACKAGING SPECIFICATION PER MOLEX DRAWING: 2080333021-PK
 - PACKAGING IS TAPE & REEL
 - COMPATIBLE WITH STANDARD AK INTERFACE C-114-94000-20 REV A1
 - CONFORMS TO MOLEX AK INTERFACE 2046310001 REV A
 - MOLEX AK INTERFACE IS PART OF PPAP
 - TRACEABILITY MARKED IN AREA SHOWN. MARK IS CODED AS FOLLOWS:
 - ROW 1 ("XXXXXXXXXX" OR "XXXXXXXXXX-X");
 - "XXXXXXXXXX" IS MOLEX PART NUMBER ("X" INDICATES ASSEMBLY LINE NUMBER IF APPLICABLE)
 - ROW 2 (HHDDYY Z)"
 - 1ST & 2ND DIGITS (HH): HOUR OF ASSEMBLY (24 HOUR CLOCK) (EXAMPLE: 15:00 --> "15", 7:00 --> "07")
 - 3RD THRU 5TH DIGITS (DDD): JULIAN DATE (EXAMPLE: FEBRUARY 3RD --> "034")
 - 6TH & 7TH DIGITS (YY): LAST 2 DIGITS OF CALENDAR YEAR (EXAMPLE: 2013 --> "13")
 - 8TH DIGIT (Z): PERFORMANCE MARKING.
- DESIGN - MATERIALS:
 - SHROUD (PLASTIC HOUSING): PA9T-GF30%
 - PINS:
 - STANDARD PERFORMANCE PINS
 - BASE MATERIAL: C26000 BRASS
 - UNDERPLATING (CONTACT REGION): NICKEL 1.0 -1.8 μm
 - OVERPLATING (CONTACT REGION): MATTE TIN: 1.0 - 3.0 μm
- DESIGN - GEOMETRY:
 - GEOMETRIC DIMENSIONS AND TOLERANCES PER ASME Y14.5M-2009

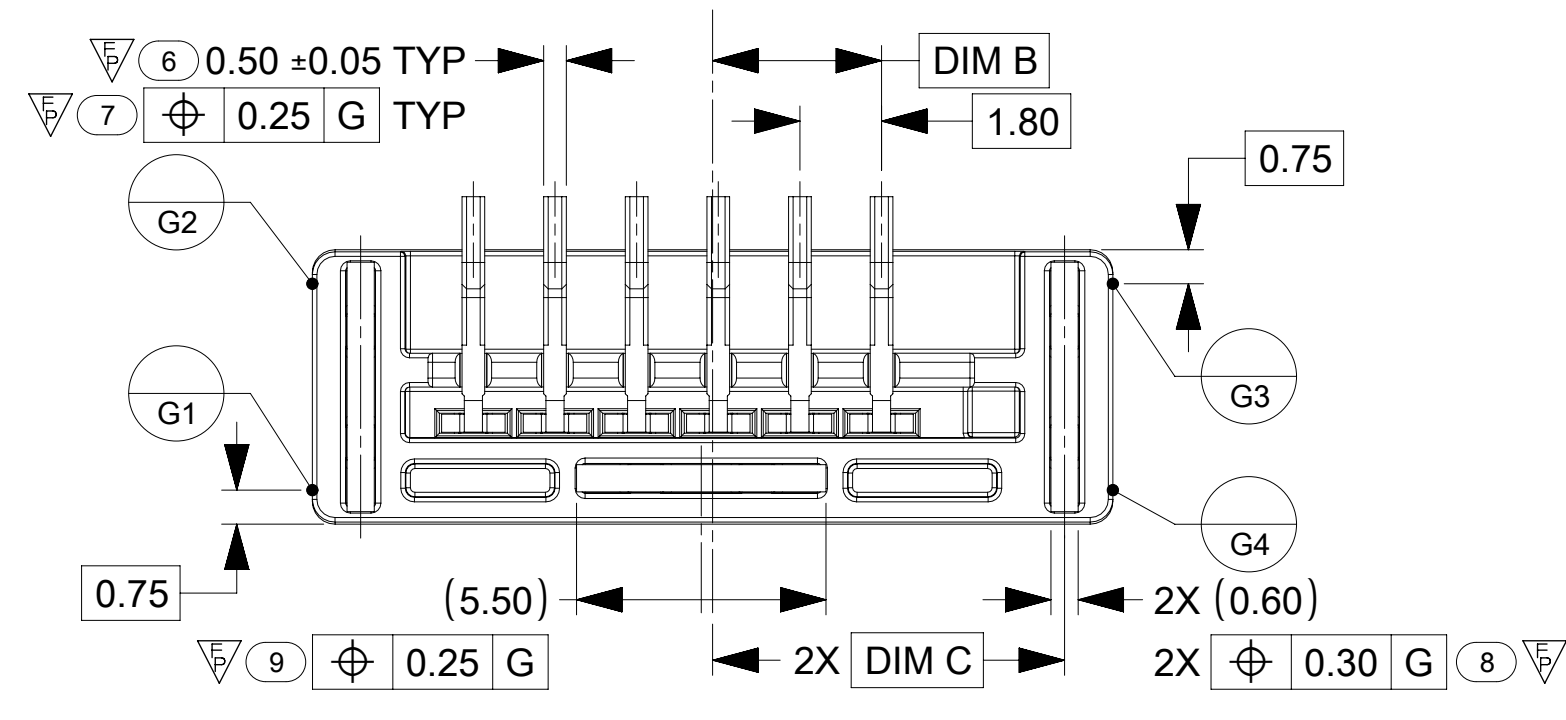
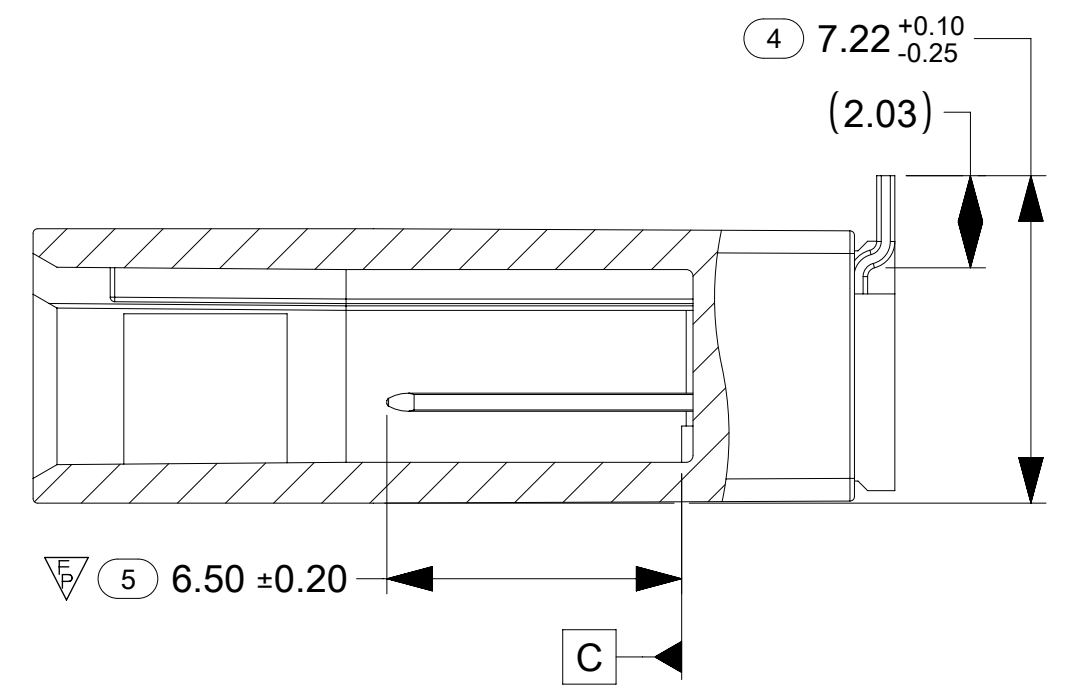
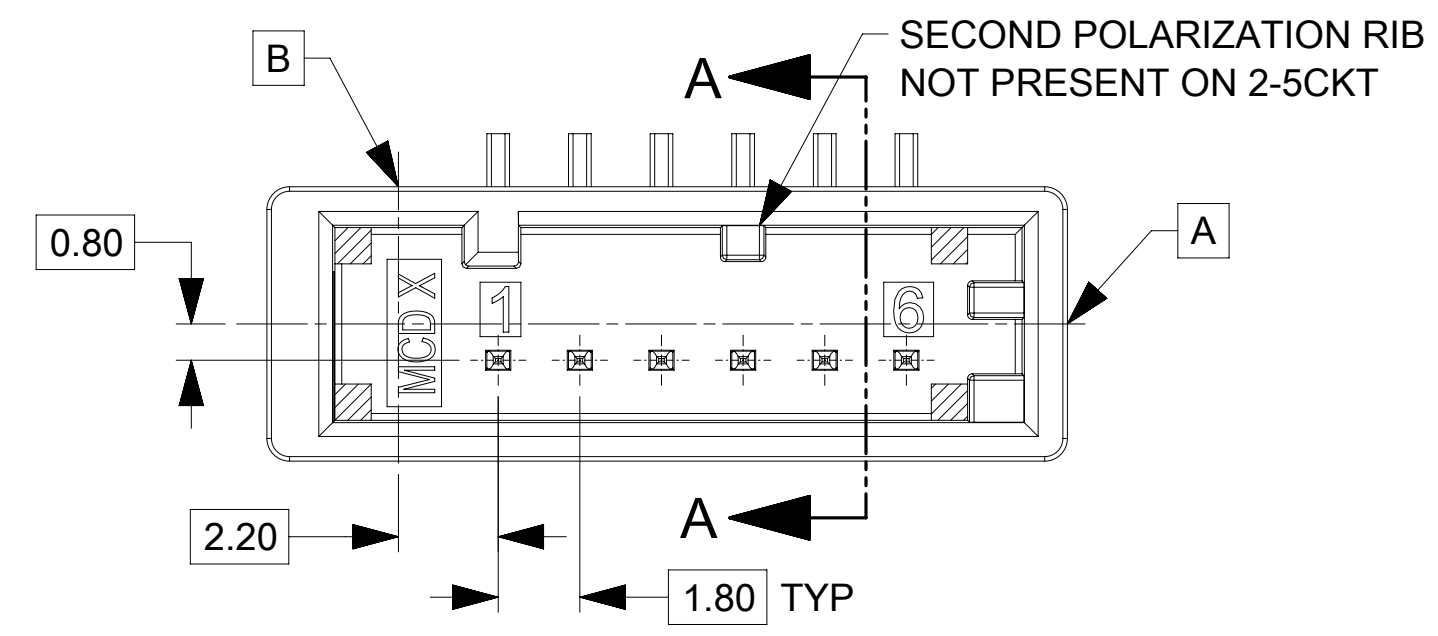
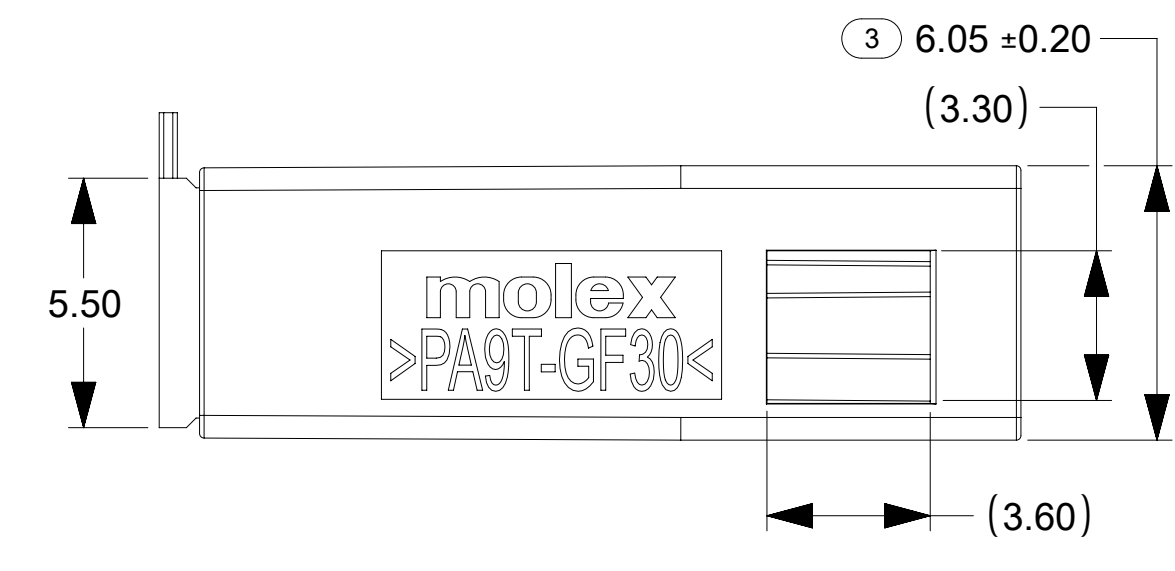
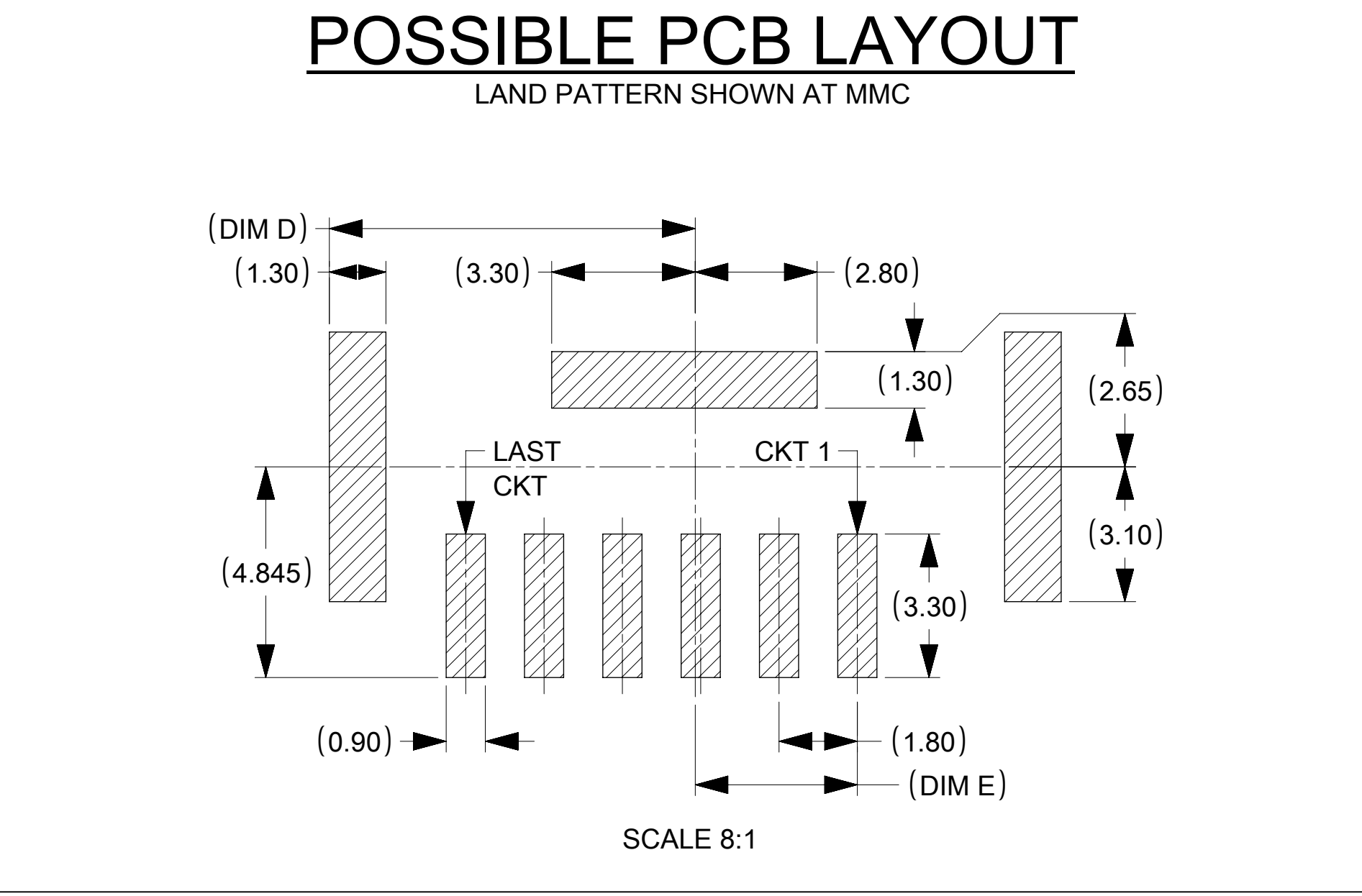
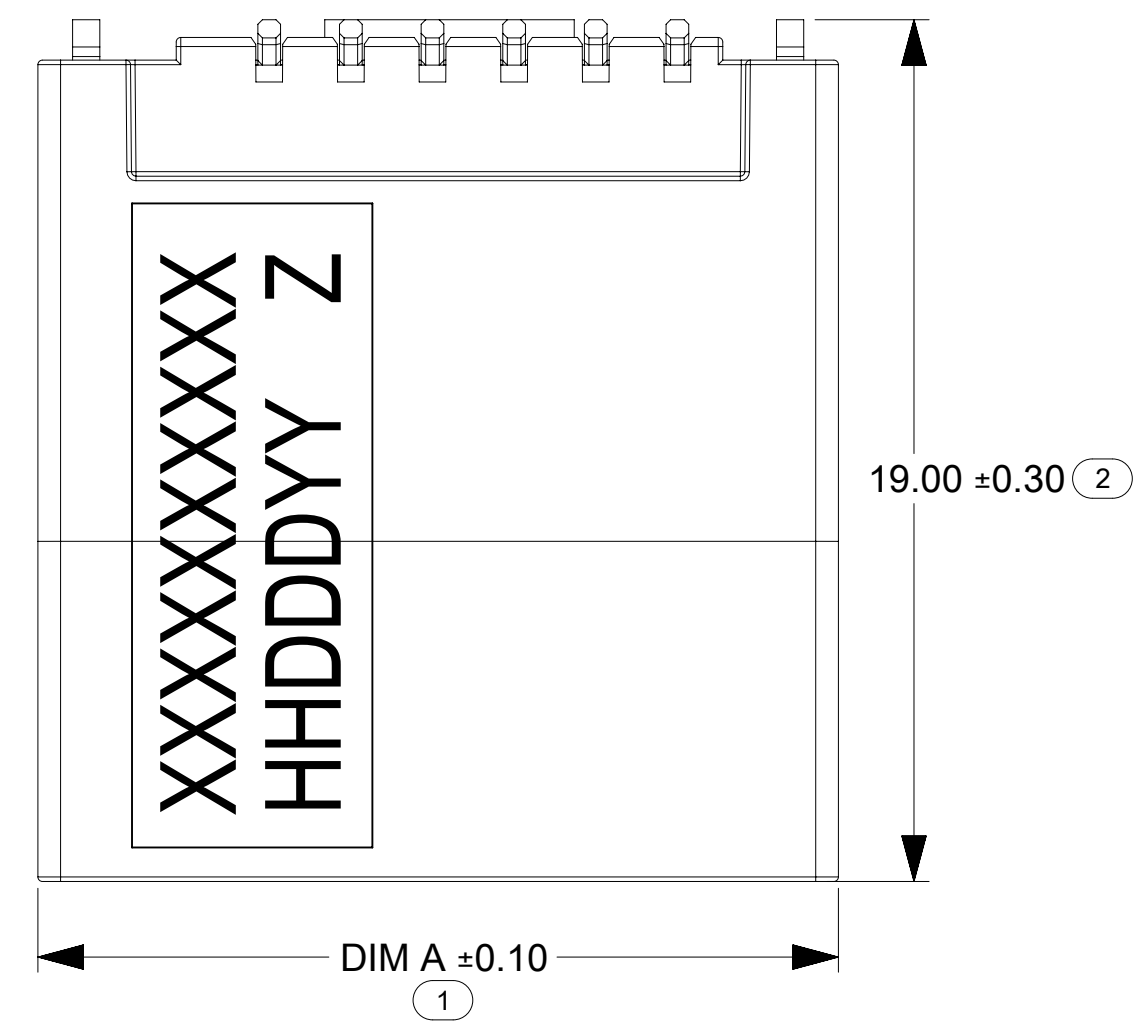
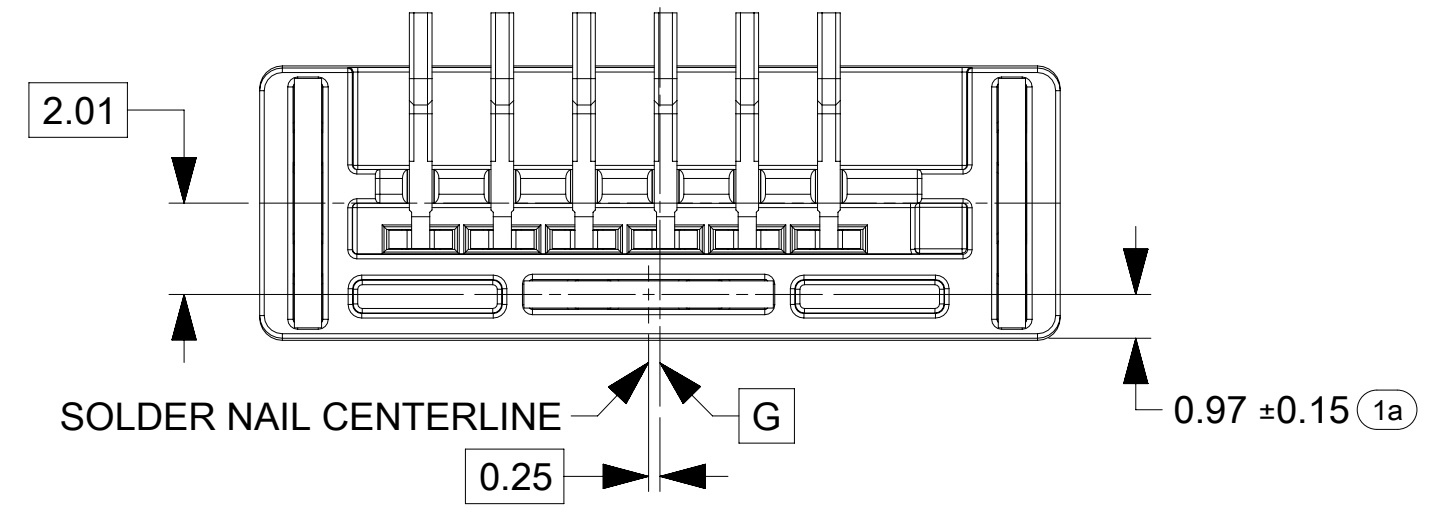
INTERFACE	INTERFACE CKT SIZE	DIM A	DIM B	DIM C	DIM D	DIM E	KEY	COLOR	STANDARD PERFORMANCE VERTICAL V0 SMT HEADER		TOOLING STATUS
									NO TAPE PART NUMBER	WITH TAPE PART NUMBER	
	2	10.45	0.125	4.16	4.81	0.125	A	BLACK	2080352021	2080353021	AVAILABLE
							B	NATURAL	2080352022	2080353022	
							C	BLUE	2080352023	2080353023	
							D	VIOLET	2080352024	2080353024	
	3	12.25	1.025	5.06	5.71	1.025	A	BLACK	2080352031	2080353031	AVAILABLE
							B	NATURAL	2080352032	2080353032	
							C	BLUE	2080352033	2080353033	
							D	VIOLET	2080352034	2080353034	
	4	14.05	1.925	5.96	6.61	1.925	A	BLACK	2080352041	2080353041	AVAILABLE
							B	NATURAL	2080352042	2080353042	
							C	BLUE	2080352043	2080353043	
							D	VIOLET	2080352044	2080353044	
	5	15.85	2.825	6.86	7.51	2.825	A	BLACK	2080352051	2080353051	AVAILABLE
							B	NATURAL	2080352052	2080353052	
							C	BLUE	2080352053	2080353053	
							D	VIOLET	2080352054	2080353054	
	6	17.65	3.725	7.76	8.41	3.725	A	BLACK	2080352061	2080353061	AVAILABLE
							B	NATURAL	2080352062	2080353062	
							C	BLUE	2080352063	2080353063	
							D	VIOLET	2080352064	2080353064	
	7	19.45	4.625	8.66	9.31	4.625	A	BLACK	2080352071	2080353071	INQUIRE FOR AVAILABILITY
							B	NATURAL	2080352072	2080353072	
							C	BLUE	2080352073	2080353073	
							D	VIOLET	2080352074	2080353074	
	8	21.25	5.525	9.56	10.21	5.525	A	BLACK	2080352081	2080353081	INQUIRE FOR AVAILABILITY
							B	NATURAL	2080352082	2080353082	
							C	BLUE	2080352083	2080353083	
							D	VIOLET	2080352084	2080353084	
	9	23.05	6.425	10.46	11.11	6.425	A	BLACK	2080352091	2080353091	INQUIRE FOR AVAILABILITY
							B	NATURAL	2080352092	2080353092	
							C	BLUE	2080352093	2080353093	
							D	VIOLET	2080352094	2080353094	
	10	24.85	7.325	11.36	12.01	7.325	A	BLACK	2080352101	2080353101	INQUIRE FOR AVAILABILITY
							B	NATURAL	2080352102	2080353102	
							C	BLUE	2080352103	2080353103	
							D	VIOLET	2080352104	2080353104	
	11	26.65	8.225	12.26	12.91	8.225	A	BLACK	2080352111	2080353111	INQUIRE FOR AVAILABILITY
							B	NATURAL	2080352112	2080353112	
							C	BLUE	2080352113	2080353113	
							D	VIOLET	2080352114	2080353114	

PERFORMANCE MARK: S

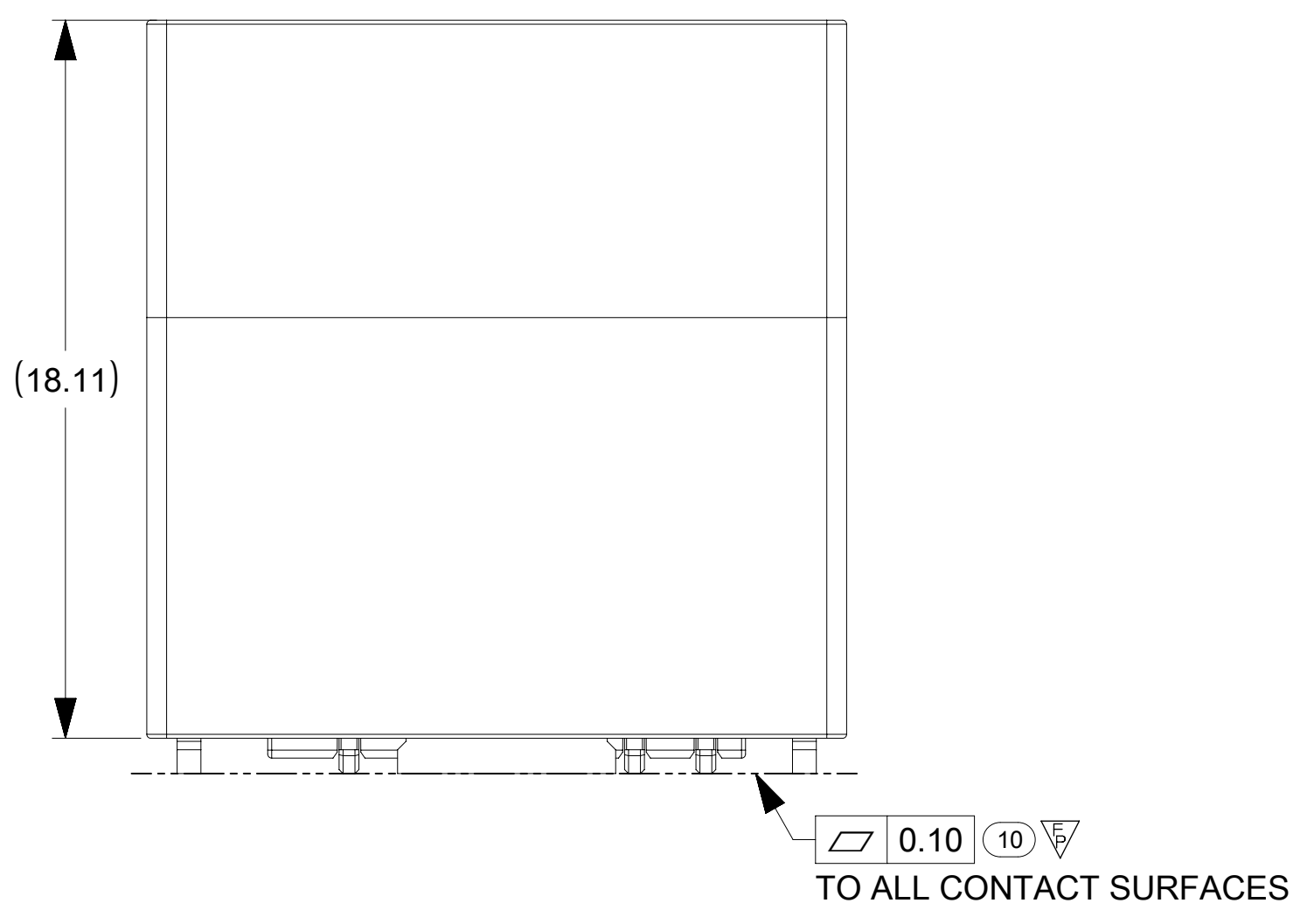
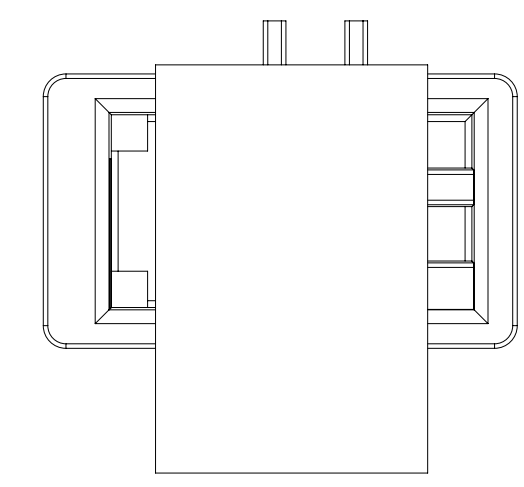
B5	UPDATE: VIEWS FOR SWITCH TO PICKUP TAPE FROM CAP; POL B COLOR FROM GREY TO NATURAL
B4	NO CHANGE TO SALES DRAWING, CHANGED ENGINEERING AND ASSEMBLY DRAWING
B3	UPDATED TOLERANCE ON DIM 3 FROM 0.10 TO 0.20MM
B2	CHANGED CLEANBODY SERIES NUMBER IN THE TABLE
B1	ADDED DIM 1a
B	REMOVED DATUMS D, E, & F; ADDED DATUM G; UPDATED PCB LAYOUT; REMOVED HIGH PERFORMANCE PART NUMBERS; ADDED "NO CAP" PART NUMBERS; UPDATED STANDARD PERFORMANCE PLATING; RENUMBERED DIMENSIONS
A3	UPDATED TOLERANCE ON DIMS 1 & 5 FROM 0.20 TO 0.25MM; UPDATED DIM A; ADDED DIM 8
A2	UPDATED DIM B (LATCH AREA WALL THICKNESS INCREASED BY 0.5MM), C, D & E
A1	ADDED NOTE TO PCB LAYOUT
REV	DESCRIPTION

INSPECTION BALLOON LOG		CURRENT REV DESC:			
PER DRAWING REVISION: B5		EC NO: 672688			
LAST BALLOON USED: 10		DRWN: KHEWITT 2021/05/13		CONNTAK50 SR VERT HDR SALES DRAWING PRODUCT CUSTOMER DRAWING	
ADDED BALLOON NUMBERS: 1a		CHK'D: VBALASUBRAMA 2021/08/09			
REMOVED BALLOON NUMBERS:		APPR: JDUNAJ 2021/08/09		DOCUMENT NUMBER: 2080350003 DOC TYPE: PSD DOC PART: 000 REVISION: B5	
THIS DRAWING CONTAINS INFORMATION THAT IS PROPRIETARY TO MOLEX ELECTRONIC TECHNOLOGIES, LLC AND SHOULD NOT BE USED WITHOUT WRITTEN PERMISSION		INITIAL REVISION: DRWN: VBALASUBRAMA 2018/11/29			
DIMENSION UNITS: mm		SCALE: 5:1		MATERIAL NUMBER: SEE TABLE	
GENERAL TOLERANCES (UNLESS SPECIFIED)		DRAFT WHERE APPLICABLE MUST REMAIN WITHIN DIMENSIONS		CUSTOMER: GENERAL MARKET	
ANGULAR TOL: ± °		THIRD ANGLE PROJECTION		SHEET NUMBER: 1 OF 2	
4 PLACES ± 0.0		DRAWING: D-SIZE		SERIES: 208035	
3 PLACES ± 0.0		SERIES: 208035		SHEET NUMBER: 1 OF 2	
2 PLACES ± 0.0		DRAWING: D-SIZE		SERIES: 208035	
1 PLACE ± 0.0		SERIES: 208035		SHEET NUMBER: 1 OF 2	
0 PLACES ± 0.0		DRAWING: D-SIZE		SERIES: 208035	

6CKT KEY A (2080353061) SHOWN EXCEPT WHERE NOTED
 REFER TO 2046310001 FOR INTERFACE DIMENSIONS



2CKT WITH TAPE
 SHOWN FOR REFERENCE



KEYING OPTIONS			
KEY A (BLACK)	KEY B (NATURAL)	KEY C (BLUE)	KEY D (VIOLET)

THIS DRAWING CONTAINS INFORMATION THAT IS PROPRIETARY TO MOLEX ELECTRONIC TECHNOLOGIES, LLC AND SHOULD NOT BE USED WITHOUT WRITTEN PERMISSION

DIMENSION UNITS mm	SCALE 6:1	CURRENT REV DESC:					
GENERAL TOLERANCES (UNLESS SPECIFIED)		EC NO: 672688					
ANGULAR TOL ± °		DRWN: KHEWITT 2021/05/13		PRODUCT CUSTOMER DRAWING			
4 PLACES ± 0.0		CHK'D: VBALASUBRAMA 2021/08/09		DOCUMENT NUMBER			
3 PLACES ± 0.0		APPR: JDUNAJ 2021/08/09		2080350003			
2 PLACES ± 0.0		INITIAL REVISION:		DOC TYPE DOC PART REVISION			
1 PLACE ± 0.0		DRWN: VBALASUBRAMA 2018/11/29		PSD 000 B5			
0 PLACES ± 0.0		APPR: JDUNAJ 2019/04/15		SHEET NUMBER			
DRAFT WHERE APPLICABLE MUST REMAIN WITHIN DIMENSIONS		THIRD ANGLE PROJECTION	DRAWING	SERIES	MATERIAL NUMBER	CUSTOMER	SHEET NUMBER
			D-SIZE	208035	SEE TABLE	GENERAL MARKET	2 OF 2