

MATERIALS AND FINISHES:

BODY BRASS
PLATED GOLD

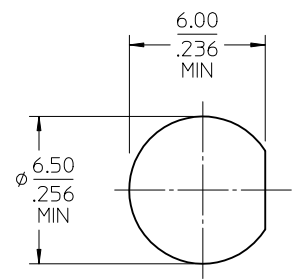
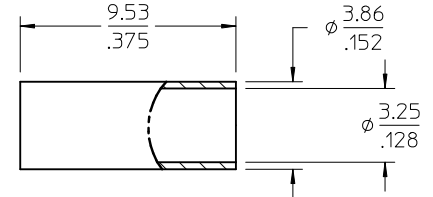
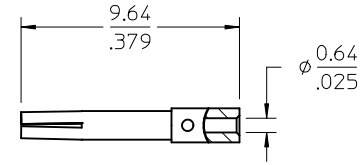
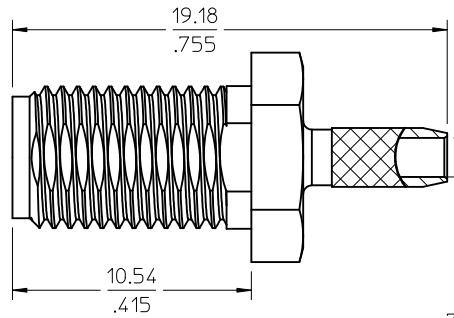
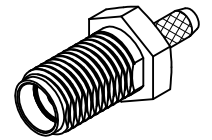
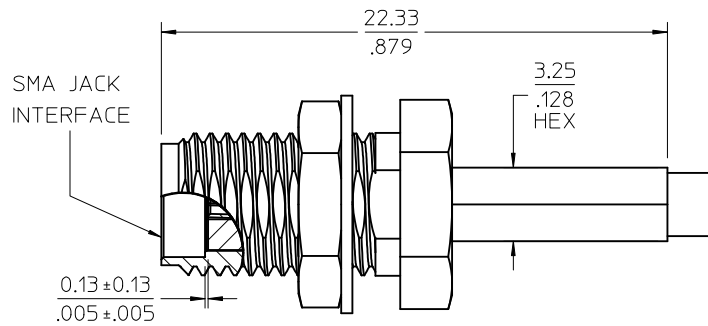
CONTACT PHOSPHOR BRONZE
PLATED GOLD

INSULATOR TEFLON

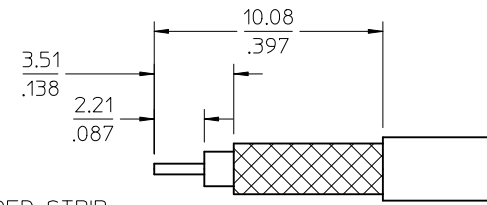
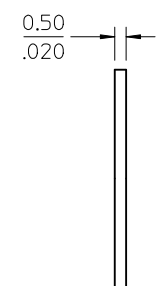
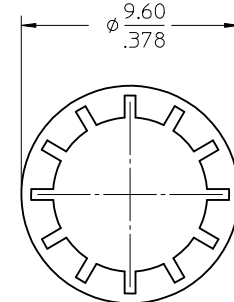
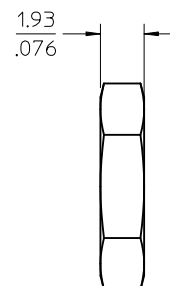
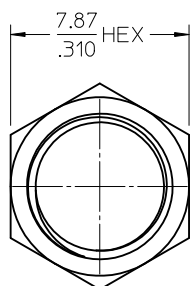
JAM NUT BRASS
PLATED GOLD

LOCKWASHER PHOSPHOR BRONZE
PLATED GOLD

CRIMP TUBE BRASS
PLATED NICKEL



RECOMMENDED PANEL
CUTOUT



RECOMMENDED STRIP
DIMENSIONS

ORIGINAL DRAWN: CLAIRE 2001/04/19

MIL-STD-348A, FIG. 310.2	INTERFACE
SPECIFICATION	DESCRIPTION

PART # 73391-0220

CHG: UPDATED VIEWS EC NO: URF2011-0531 DRWN: JLEE02 CHKD: SSS APPR: WIENER	2011/03/09	2011/03/09	2011/03/09
	DESCRIPTION	QUALITY SYMBOLS	DESCRIPTION
	▽=0	▽=0	
	B2		

GENERAL TOLERANCES (UNLESS SPECIFIED)	
mm	INCH
4 PLACES ± .005	± .0005
3 PLACES ± .005	± .0005
2 PLACES ± .005	± .0005
1 PLACE ± .005	± .0005
ANGULAR ± 2°	
DRAFT WHERE APPLICABLE MUST REMAIN WITHIN DIMENSIONS	

DIMENSION STYLE MM/IN	
DRAWN BY	DATE
SSHAH	2011/02/15
CHECKED BY	DATE
SSS	2011/03/09
APPROVED BY	DATE
JWIENER	2011/02/16
MATERIAL NO.	733910220

SCALE	DESIGN UNITS METRIC	THIRD ANGLE PROJECTION
TITLE		
SMA JACK STR BLKHD		
50 OHMS RG174		
EWR-4625 SMA-PC		
MOLEX INCORPORATED		SHEET NO. 1 OF 1
DOCUMENT NO. SD-73391-022		