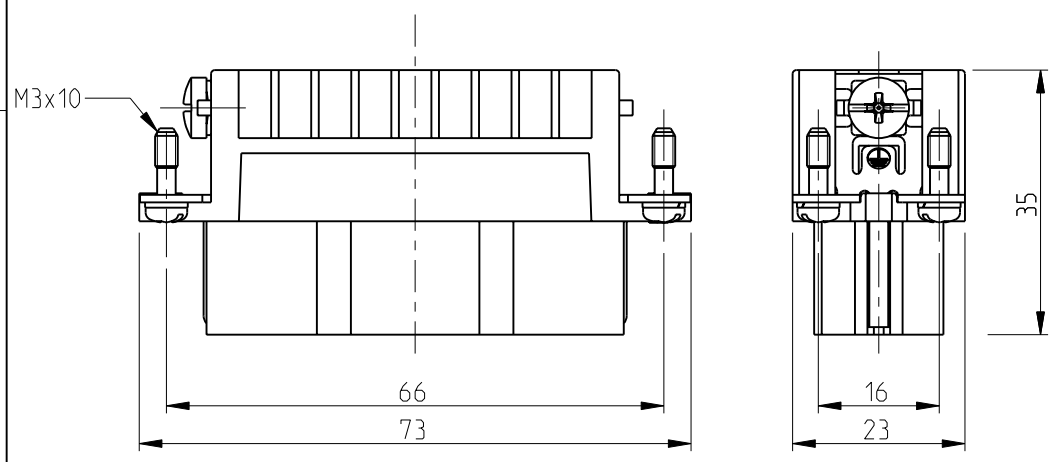


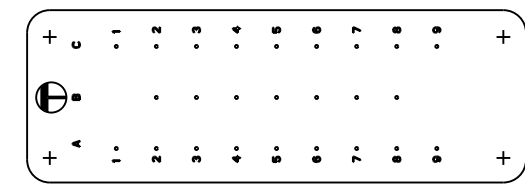
THIS DRAWING IS UNPUBLISHED. RELEASED FOR PUBLICATION .1997
 © COPYRIGHT 1997 BY TYCO ELECTRONICS CORPORATION. ALL RIGHTS RESERVED.

LOC	DIST	REVISIONS					
A1		P	LTR	DESCRIPTION	DATE	DWN	APVD
			A5	Released as per ECR-08-019210	31.Jul.2008	SP	TS

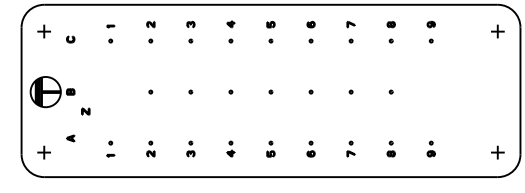
PN 2-3 as shown



CONTACT ARRANGEMENT FOR PN 2-3 & 2-8
VIEW FROM TERMINATION SIDE



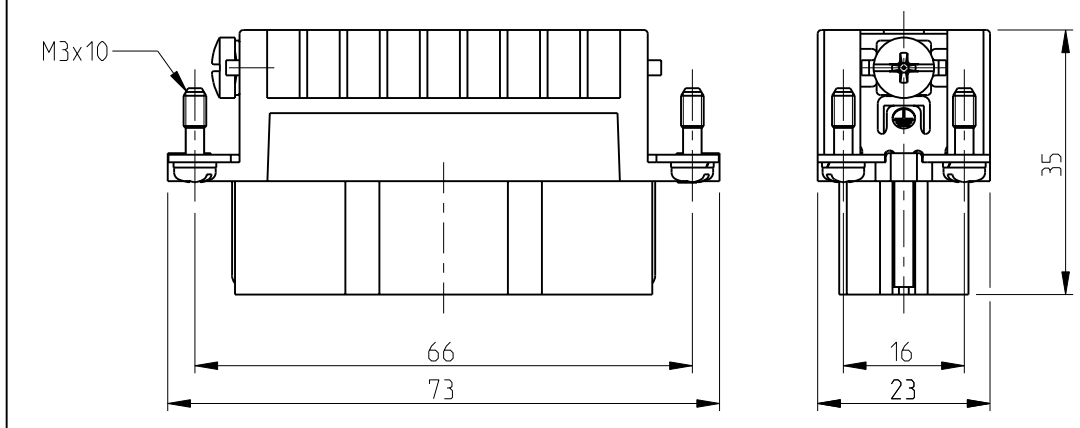
CONTACT ARRANGEMENT FOR PN 0-1
VIEW FROM TERMINATION SIDE



NOTES

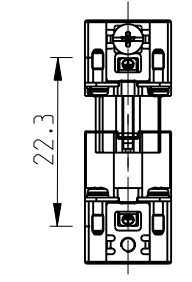
- 1 Material: Insert , PC UL-File Nr : E101788(R)
- 2 Finish: Zinc plated contact: Ag, Au
- 3 Packaging quantity 5 pieces in box.

PN 0-1 as shown

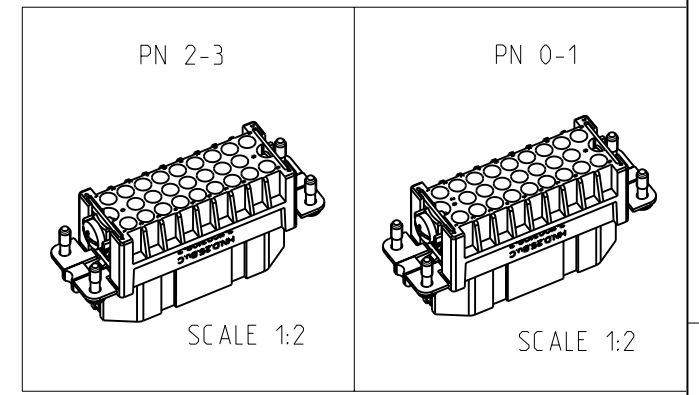


ASSEMBLING INSTRUCTION

Max. 24mm was away for safe contacting

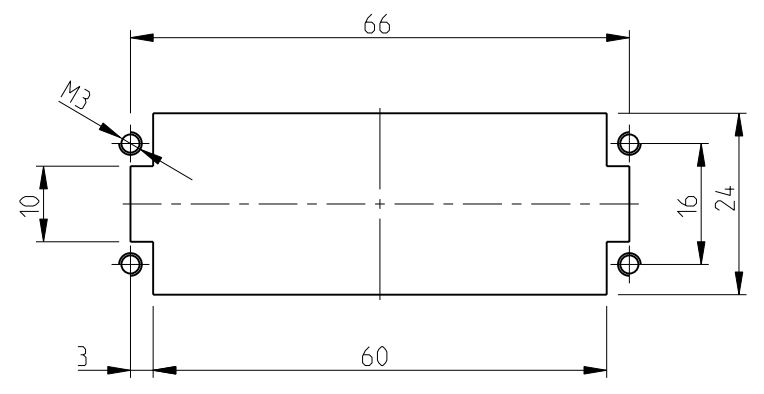


SCALE 1:2



Panel cutout for contact insert

When used without housing



OBSOLETE	1	1	Socket Insert HN.D25	Ryton	Dark Brown	2	
	0-1	2-8	2-3	Socket Insert HN.D25	Dark Grey	1	
			DESCRIPTION	MATERIAL	COLOR	ITEM NO	NOTES
			ORDERING TEXT				
			HN.D25.Bu.C B1-25				
			HN.D RY.25.Bu.C B1-25				
			HN.D25.Bu.C B1-25/Z				

THIS DRAWING IS A CONTROLLED DOCUMENT FOR TYCO ELECTRONICS CORPORATION IT IS SUBJECT TO CHANGE AND THE CONTROLLING ENGINEERING ORGANIZATION SHOULD BE CONTACTED FOR THE LATEST REVISION.	
DIMENSIONS: mm	TOLERANCES UNLESS OTHERWISE SPECIFIED: n:ISO 80: n:ISO 2768-mS-E: n:DIN 9130-120
	0 PLC ± 1 PLC ± 2 PLC ± 3 PLC ± 4 PLC ± ANGLES ±
MATERIAL 1	FINISH 2

DWN	Schneider	03.11.1999	Tyco Electronics		Tyco Electronics.AMP.GmbH D-53819.Neunkirchen.Germany	
CHK	Schweiger	03.11.1999	NAME			
APVD	-	-	Female insert HN.D.25.Bu.C			
PRODUCT SPEC	-	-	SIZE	CAGE CODE	DRAWING NO	RESTRICTED TO
APPLICATION SPEC	-	-	A3	00779	1103109	
WEIGHT	57 g		CUSTOMER DRAWING		SCALE 1:1	SHEET 1 OF 1
					REV A5	