

# Type BLR-I-301 Fuse Block - Indicating For Regular Auto Blade Fuses



www.optifuse.com (619)-593-5050

**Fuse Style:** Regular Auto Blade Fuses

**Specifications:**

**Rating:** 24V DC 30A

**Material:**

**Body:** Nylon (UL Flame: 94V-2)

**Cap:** Polycarbonate (UL Flame: 94V-2)

**Terminal:** Tin plated Brass – 0.25” (6.4mm) Quick Connect

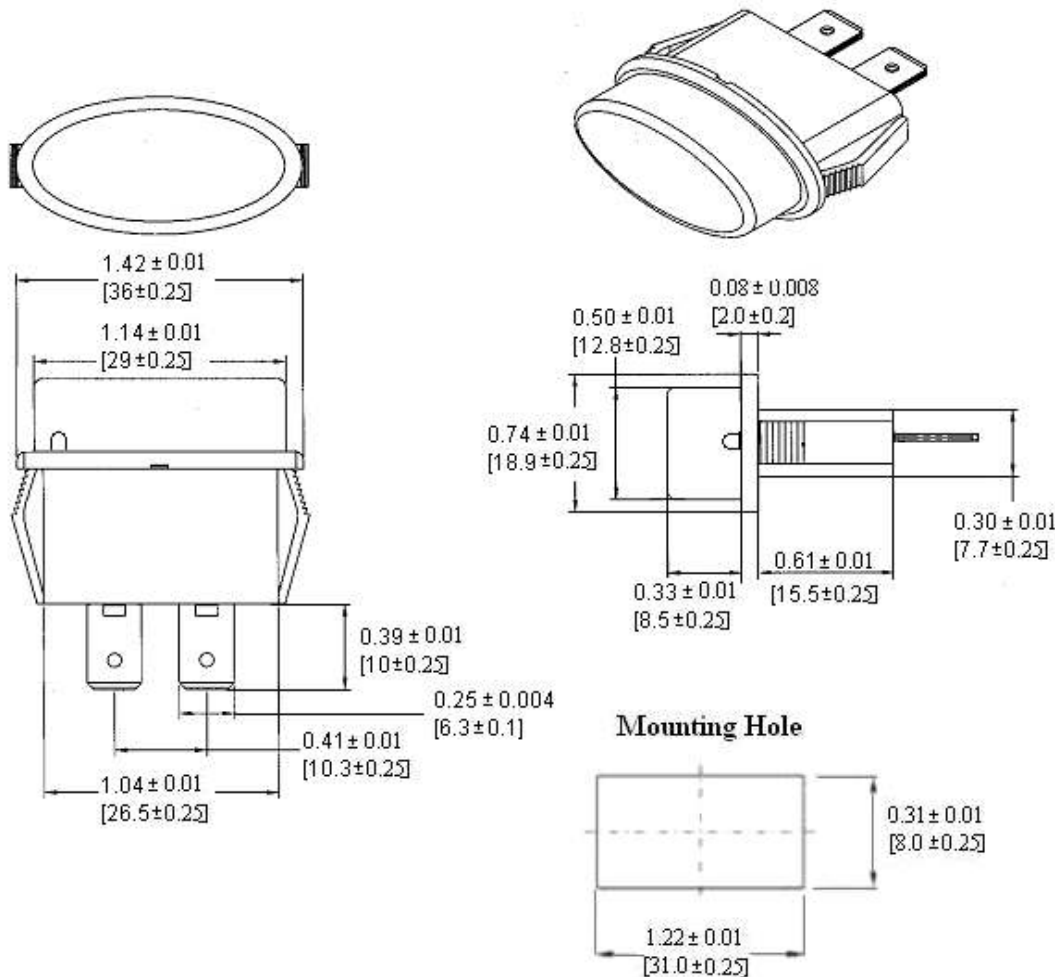
**Indicating:** Red LED

**Panel Thickness:** 0.5 ~ 7.0mm

**Mounting:** Snap-in

**Ambient/Operating Temperature:** -20 °C to +85 °C

**Product Dimensions:** Inches [mm]



**Warning:**



-Operation beyond the specified maximum ratings or improper use may result in damage and possible electrical arcing and/or flame.

-Avoid contact of Fuse Block with chemical solvent. Prolonged contact will damage the device performance.