

B313M27N0**

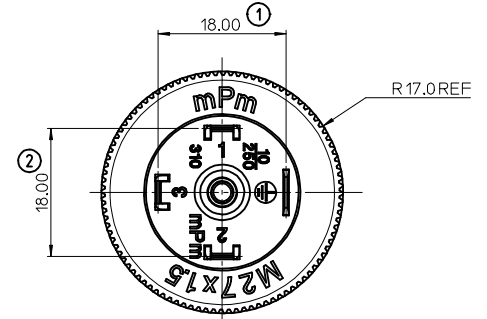
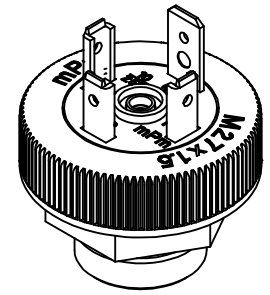
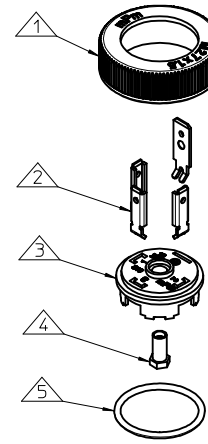
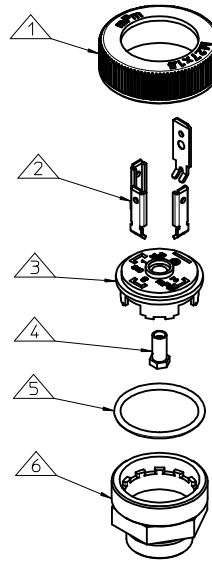
SERIES _____
 B31= FORM A
 POLES _____
 2= 2 POLE & 3= 3 POLE
 THREAD FIXING SIZE _____
 P09= PG9 THREAD, P11= PG11 THREAD, P14= PG13.5 THREAD
 M27= M27x1.5 THREAD LOCK RING WITHOUT COVER HOUSING
 MATERIAL AND HOUSING COLOUR _____
 G= PA6 GRAY, N= PA6 BLACK, W= PA6 BLACK V0, T= TRANSPARENT
 SCREW AND GASKET _____
 0= NO SCREW, NO GASKET
 NON STANDARD COMPONENTS _____

NOTES
 1. PLEASE SEE TABLE FOR CURRENTLY CONFIGURED PART NUMBERS.
 FOR SPECIFIC PART NUMBERS PLEASE CONTACT SALES OR CONSULT
 THE INTELLIGENT PART NUMBERS IN THE TABLE ATTACHED.
 3. FOR PACKAGING SEE PACKAGING SPEC PK-121013-B31
 4. PRODUCT SPEC: SEE PS-121201-001
 4. TERMINALS BENT AFTER INSERTION FOR BEND ANGLE SEE TABLE

LAST INSPECTION NUMBER 2

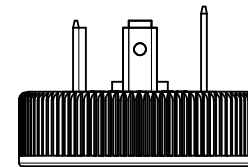
VERSION A

VERSION B

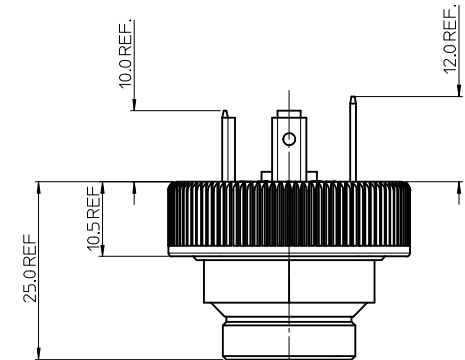


ITEM	DESCRIPTION
1	LOCK RING
2	TERMINALS
3	BASE HOUSING
4	INSERT
5	GASKET
6	COVER HOUSING

PART No.	mPm PART No.	DESCRIPTION	TERMINAL BEND ANGLE (°)	VERSION
1210120116	B312M27N0	TYPE A 2P BLACK, M27 THREAD	45	B
1210120117	B312P09N0	TYPE A 2P BLACK, PG9 THREAD	45	A
1210120118	B312P11N0	TYPE A 2P BLACK, PG11 THREAD	45	A
1210120119	B312P14N0	TYPE A 2P BLACK, PG13.5 THREAD	45	A
1210120120	B313M27N0	TYPE A 3P BLACK, M27 THREAD	45	B
1210120121	B313P09N0	TYPE A 3P BLACK, PG9 THREAD	45	A
1210120122	B313P11N0	TYPE A 3P BLACK, PG11 THREAD	45	A
1210120123	B313P14N0	TYPE A 3P BLACK, PG13.5 THREAD	45	A
1210120135	B313P11W0SA	TYPE A 3P BLACK, PG11 THREAD CRUUS LOGO	45	A



VERSION B (M27 LOCK RING)



VERSION A (PG9, PG11 OR PG13.5 THREAD)

ADD PART NUMBER EC NO: IFC2016-1460 DRWN:BCAFFREY 2016/04/28 CHKD:DSHEA 2016/05/04 APPR:STGRIFIN 2016/05/18 D	DESCRIPTION REV	QUALITY SYMBOLS ▽=0 ▽=0	GENERAL TOLERANCES (UNLESS SPECIFIED) <table border="1"> <thead> <tr> <th></th> <th>mm</th> <th>INCH</th> </tr> </thead> <tbody> <tr> <td>4 PLACES</td> <td>± ---</td> <td>± ---</td> </tr> <tr> <td>3 PLACES</td> <td>± ---</td> <td>± ---</td> </tr> <tr> <td>2 PLACES</td> <td>± 0.1</td> <td>± ---</td> </tr> <tr> <td>1 PLACE</td> <td>± 0.2</td> <td>± ---</td> </tr> <tr> <td colspan="3">ANGULAR ± ---°</td> </tr> </tbody> </table>		mm	INCH	4 PLACES	± ---	± ---	3 PLACES	± ---	± ---	2 PLACES	± 0.1	± ---	1 PLACE	± 0.2	± ---	ANGULAR ± ---°			DIMENSION STYLE MM ONLY	SCALE 2:1	DESIGN UNITS METRIC	THIRD ANGLE PROJECTION
			mm	INCH																					
		4 PLACES	± ---	± ---																					
		3 PLACES	± ---	± ---																					
2 PLACES	± 0.1	± ---																							
1 PLACE	± 0.2	± ---																							
ANGULAR ± ---°																									
DRAFT WHERE APPLICABLE MUST REMAIN WITHIN DIMENSIONS			DRAWN BY JOCONNOR DATE 2011/06/27	TITLE B31 SERIES BASE																					
APPROVED BY EFOLAN DATE 2011/07/21			MATERIAL NO. SEE CHART				MOLEX INCORPORATED DOCUMENT NO. SD-121012-008																		
			THIS DRAWING CONTAINS INFORMATION THAT IS PROPRIETARY TO MOLEX INCORPORATED AND SHOULD NOT BE USED WITHOUT WRITTEN PERMISSION				SHEET NO. 1 OF 1																		