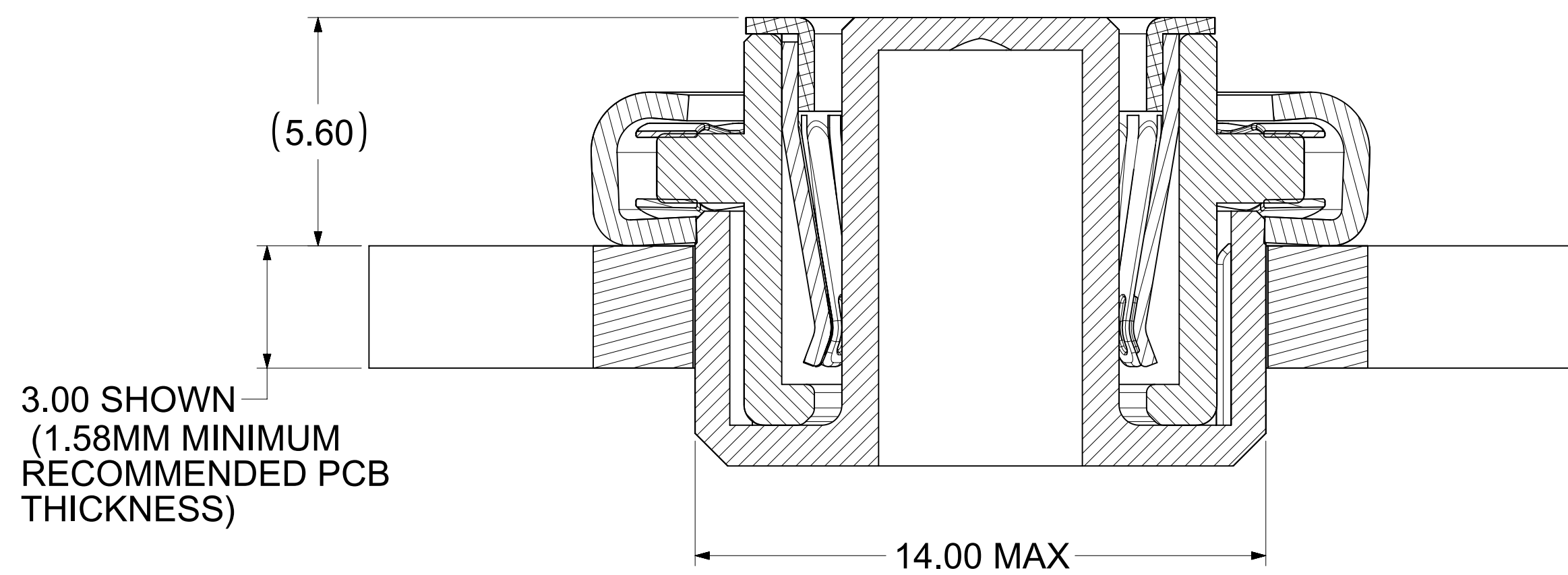
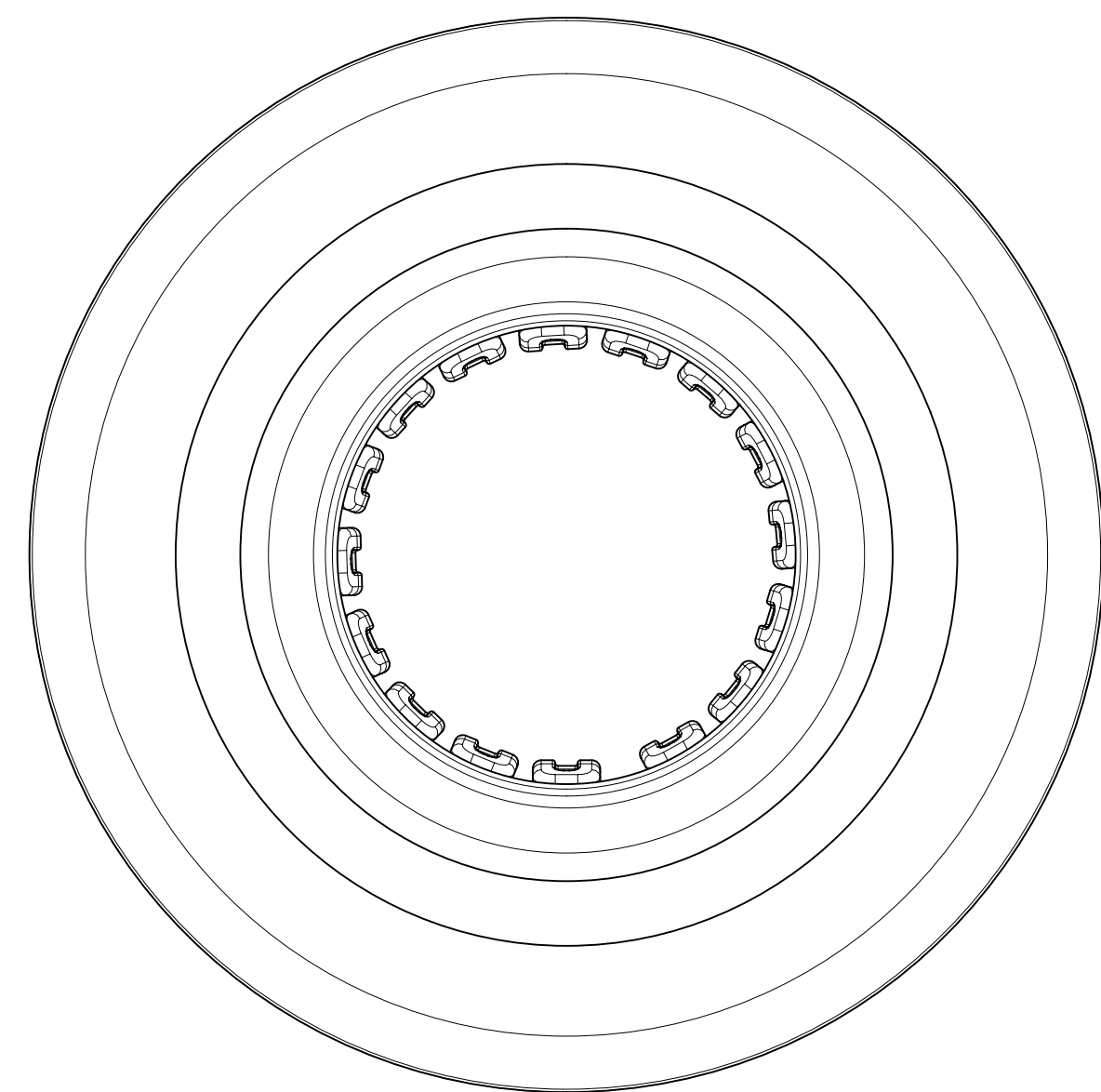
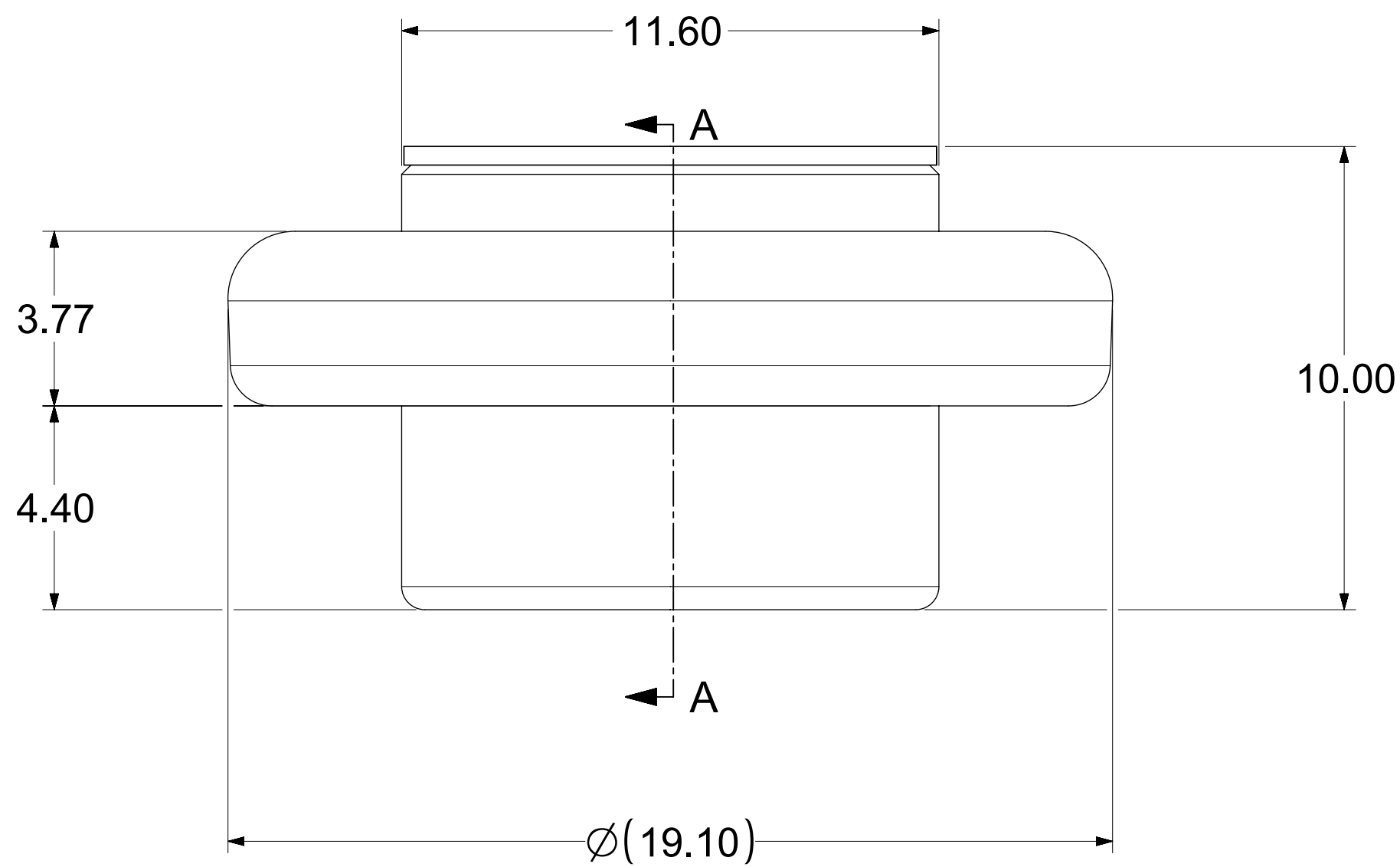


MATING PROFILE



PICK AND PLACE CAP SHOWN  
SECTION A-A

NOTES:

- MATERIALS:  
 PICK AND PLACE CAP: LCP UL94, V-0 COLOR BLACK  
 RETENTION CAP: STAINLESS STEEL  
 BASE METAL: HIGH CONDUCTIVE COPPER ALLOY  
 PLATING ON CONTACTS: 0.75 MICRON MIN GOLD OVER 1.27 MICRON MIN NICKEL  
 PLATING ON BODY: 3.18 MICRON MIN SILVER OVER 1.27 MICRON MIN NICKEL
- MATES WITH STANDARD PIN DRAWINGS  
 (MATING DISTANCE BASED ON 1.58MM BOARD THICKNESS):
  - 8.0MM SMT DRAWING 2032633080-SD, MIN. MATING DISTANCE 4.97MM
  - 8.0MM PRESS FIT DRAWING 2032630001-SD, MIN. MATING DISTANCE 5.32MM
  - 8.0MM SCREW MOUNT DRAWING 2032634185-SD, MIN. MATING DISTANCE 8.32MM
- PRODUCT SPECIFICATION: 2043130001-PS
- APPLICATION SPECIFICATION: 2043130001-AS  
 SEE APPLICATION SPEC FOR SOLDERING INFORMATION.
- PACKAGING SPECIFICATION: 2043650010-PK
- SILVER COMPONENTS WILL BE SUPPLIED TARNISH FREE BUT MAY TARNISH OVER TIME.
- PICK AND PLACE CAP TO BE REMOVED AFTER SOLDERING. CAP TO BE PUSHED OUT OF BOTTOM FROM THE TOP.
- DATE CODE TO BE LASER MARKED APPROXIMATELY WHERE SHOWN USING DDDYY FORMAT

|   |        |   |  |              |  |            |  |                 |  |
|---|--------|---|--|--------------|--|------------|--|-----------------|--|
| THIS DRAWING CONTAINS INFORMATION THAT IS PROPRIETARY TO MOLEX ELECTRONIC TECHNOLOGIES, LLC AND SHOULD NOT BE USED WITHOUT WRITTEN PERMISSION |        |   |  |              |  |            |  |                 |  |
| DIMENSION UNITS   | SCALE  | CURRENT REV DESC: UPDATED THE TITLE BLOCK |  |              |  |            |  |                 |  |
| mm  | NTS    |   |  |              |  |            |  |                 |  |
| GENERAL TOLERANCES (UNLESS SPECIFIED)   |        |   |  |              |  |            |  |                 |  |
| ANGULAR TOL   | ± 0.5° |   |  |              |  |            |  |                 |  |
| 4 PLACES  | ±      | EC NO: 730607                             |  |              |  |            |  |                 |  |
| 3 PLACES  | ±      | DRWN: SOURAJ 2022/11/30                   |  |              |  |            |  |                 |  |
| 2 PLACES  | ± 0.15 | CHK'D: GSHARMA 2022/12/08                 |  |              |  |            |  |                 |  |
| 1 PLACE   | ± 0.25 | APPR: HTHYAGARAJ 2022/12/14               |  |              |  |            |  |                 |  |
| 0 PLACES  | ±      | INITIAL REVISION:                         |  |              |  |            |  |                 |  |
| DRAFT WHERE APPLICABLE MUST REMAIN WITHIN DIMENSIONS  |        | THIRD ANGLE PROJECTION                    |  | DRAWING      |  | SERIES     |  | MATERIAL NUMBER |  |
|   |        | D-SIZE                                    |  | 204365       |  | 2043655010 |  | GENERAL MARKET  |  |
| DOCUMENT STATUS   |        | P1  |  | RELEASE DATE |  | 2022/12/14 |  | 06:00:35        |  |
| DOCUMENT NUMBER   |        | DOC TYPE                                  |  | DOC PART     |  | REVISION   |  |                 |  |
| 2043655010-SD   |        | PSD                                       |  | 000          |  | B2         |  |                 |  |
| SHEET NUMBER  |        | 1 OF 1                                    |  |              |  |            |  |                 |  |