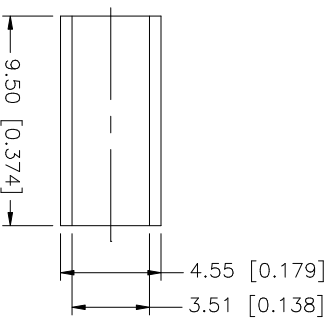
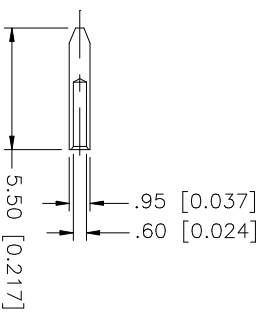
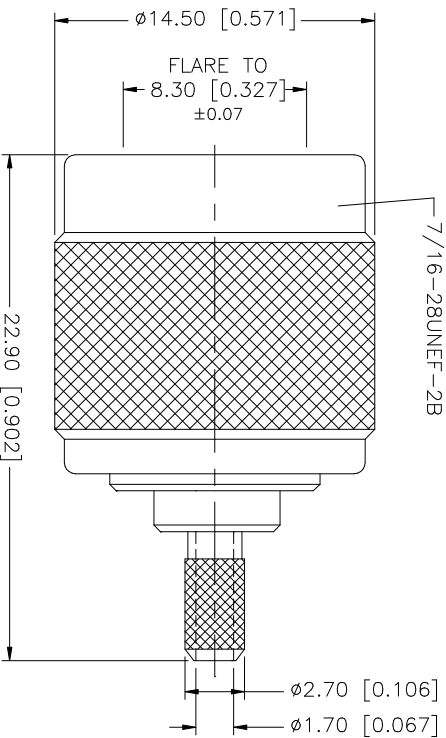
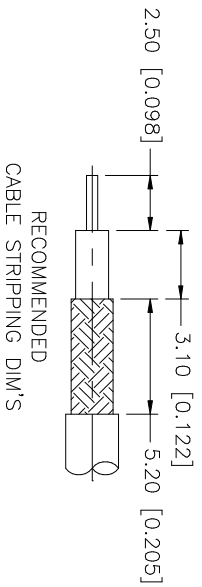


REV.	DATE	DESCRIPTION
A	12/01/99	UPDATE DRAWING ADD DOUBLE BRAID
B	05/23/03	UPDATE DRAWING FORMAT / MODIFY FERRULE



- NOTES:
1. CRIMPED FERRULE
HEX SIZE .151"
 2. CRIMPED CONTACT PIN
SQ. CRIMP SIZE 0.7mm

8																									
7																									
6																									
5	CONTACT PIN	BRASS	GOLD	1	0.5 - 8mm ± 0.20mm																				
4	FERRULE	COPPER	NICKEL	1	8 - 30mm ± 0.40mm																				
3	CONTACT PIN	PHOS. BRONZE	GOLD	1	30 - 120mm ± 0.30mm																				
2	INSULATOR	DELRI	NATURAL	1	0.20 - .315 = ± 0.007"																				
1	BODY	BRASS	NICKEL	1	.315 - 1.180 = ± 0.015" 1.180 - 4.724 = ± 0.020"																				
	DESCRIPTION	MATERIAL	FINISH	QTY	DO NOT SCALE DRAWING																				
UNLESS OTHERWISE SPECIFIED DIMENSIONS ARE IN MILLIMETERS. DIMENSIONS IN [] ARE IN INCHES AND FOR CUSTOMER REFERENCE ONLY. TOLERANCES FOR MILLIMETERS ARE:						APPROVALS		DATE																	
UNLESS OTHERWISE SPECIFIED TOLERANCES FOR MILLIMETERS ARE:						DRAWN		05/23/03																	
0.5 - 8mm ± 0.20mm						CHECKED																			
8 - 30mm ± 0.40mm						ISSUED																			
30 - 120mm ± 0.30mm						SHEET		1 OF 1																	
UNLESS OTHERWISE SPECIFIED TOLERANCES FOR INCHES ARE:						CAD FILE		C:/122/122375.DWG		DWG. NO.		122375.DWG		REV.		B		SIZE		A		SCALE		NA	
.20 - .315 = ± 0.007"						PART DESCRIPTION																			
.315 - 1.180 = ± 0.015"																									
1.180 - 4.724 = ± 0.020"						TNC CRIMP PLUG - DOUBLE BRAID																			
						(RG-174/U, 188A/U, 316/U CABLE)																			
						122375																			

Amphenol Connex