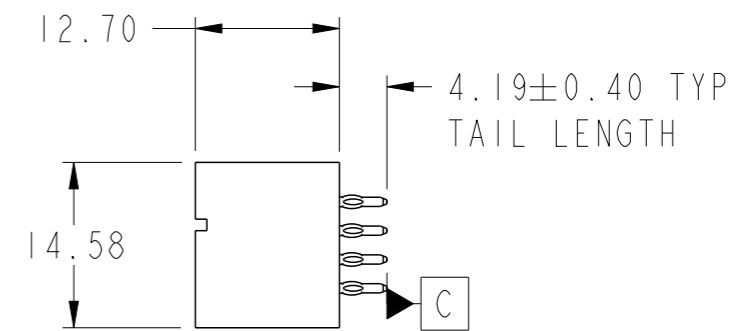
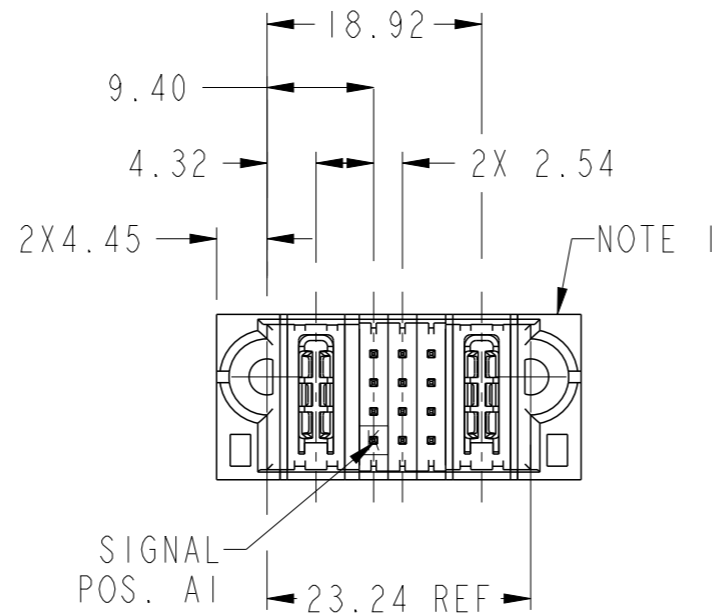
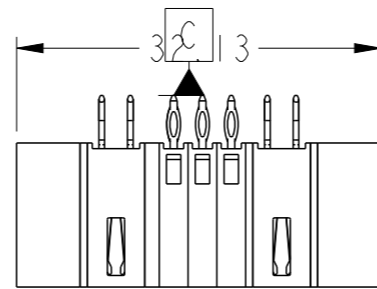
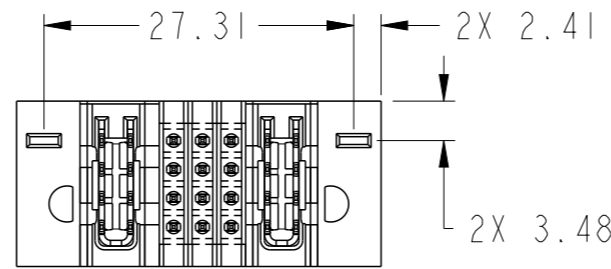


PART NUMBER SEE SHEET 2



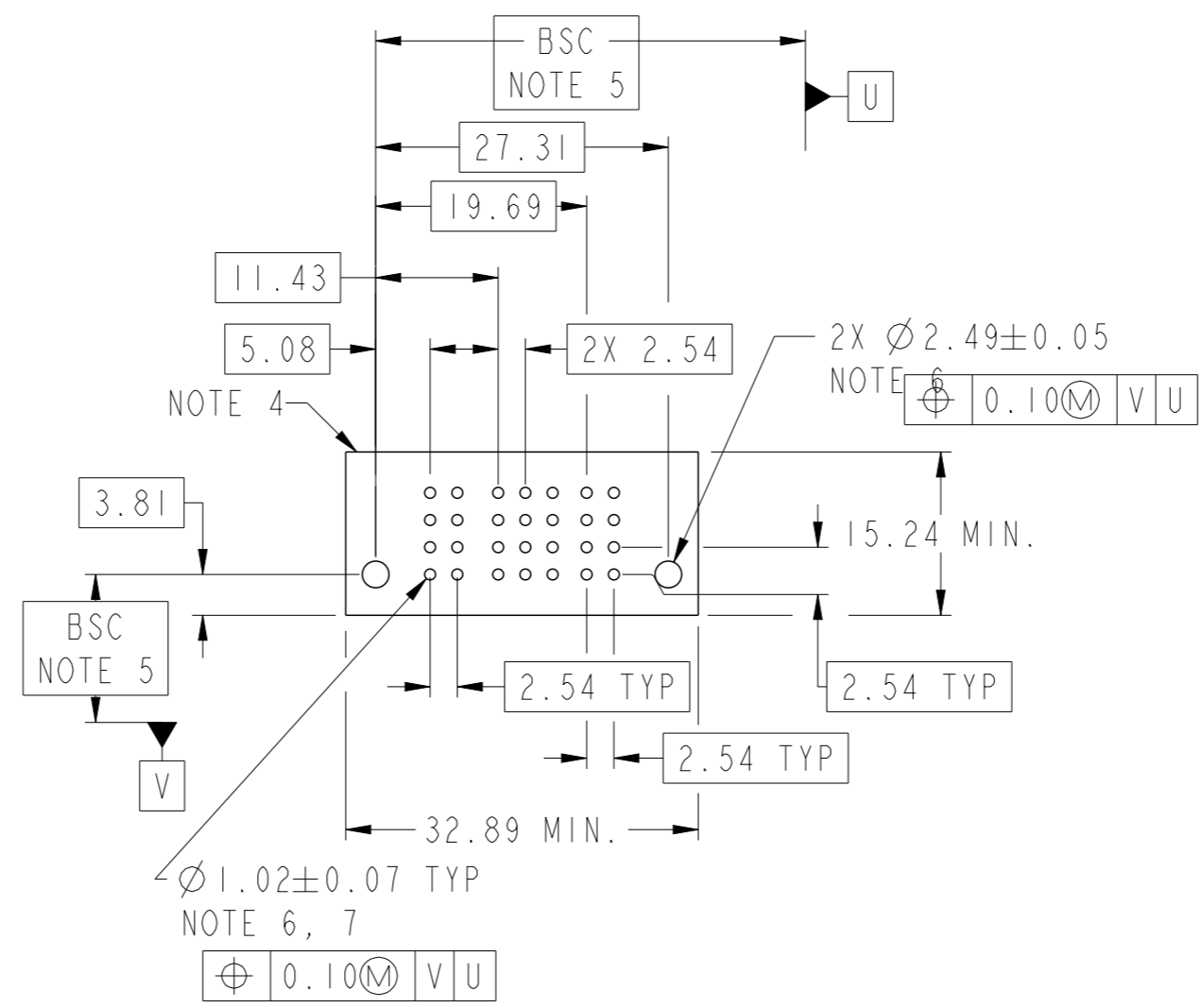
spec ref	*	dr	Xie Bob	2013/06/27	projection	MM	size	A3	scale	3:2														
tolerance std	ASME Y14.5	eng	Helen Zhang	2013/07/08			ecn no	-	rel level	Released														
TOLERANCES UNLESS OTHERWISE SPECIFIED		chr	Li-He	2013/07/07			product family	PwrBlade+																
surface	<table border="1"> <tr> <td>linear</td> <td>0.X</td> <td>±0.5</td> </tr> <tr> <td></td> <td>0.XX</td> <td>±0.25</td> </tr> <tr> <td></td> <td>0.XXX</td> <td>±0.10</td> </tr> <tr> <td>angular</td> <td>0°</td> <td>±2°</td> </tr> </table>	linear	0.X	±0.5		0.XX	±0.25		0.XXX	±0.10	angular	0°	±2°	appr	Pei-Ming Zheng	2013/07/08			cat. no.	IP+12S+IP	dwg no	10106267-2003001	rev	A
linear	0.X	±0.5																						
	0.XX	±0.25																						
	0.XXX	±0.10																						
angular	0°	±2°																						
ASME Y14.5		www.fci.com			Product - Customer Drw		sheet 1 of 3																	



Copyright FCI.

PRODUCT NO.	ROWS	HP		SIG			HP	
		E1	P1	1	2	3	P2	E2
10106267-2003001LF	DCBA		H4	G	G	G	H4	

CODE	DESCRIPTION
G	STD SIGNAL CONTACT'
H4	STD HIGH POWER CONTACT'



Copyright FCI.

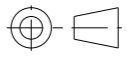
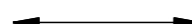

dr	Xie Bob	2013/06/27	projection	MM	size	A3	scale	3:2	
eng	Helen Zhang	2013/07/08		← →	ecn no				
chr	Li-He	2013/07/07			-				
appr	Pei-Ming Zheng	2013/07/08	product family	PwrBlade+	rel level	Released			
		title			IP+12S+IP	dwg no	10106267-2003001	rev	A
www.fci.com		cat. no.	Product - Customer Drw			sheet 2 of 3			

NOTES:

- 1) "FCI", PART NUMBER AND DATE CODE TO BE MARKED ON THIS SURFACE.
THE MARK CAN BE OMITTED IF THERE IS NOT ENOUGH SPACE ON THIS SURFACE.
- 2) MATERIALS:
-HOUSING - GLASS FILLED WITH HIGH TEMP THERMOPLASTIC, UL94V-0.
-SIGNAL CONTACT - COPPER ALLOY.
-POWER CONTACT - HIGH CONDUCTIVITY COPPER ALLOY.
- 3) PLATING SPECIFICATION REFER TO FCI 10116351
- 4) DENOTES CONNECTOR KEEP OUT ZONE.
- 5) DATUM AND BASIC DIMENSIONS WERE ESTABLISHED BY CUSTOMER.
- 6) ALL HOLE DIAMETERS ARE FINISHED HOLE SIZES.
- 7) 1.15 ± 0.025 MM DRILLED HOLE PLATED WITH 0.00762MM MIN Sn
OVER 0.0254-0.0762MM Cu PLATING TO ACHIEVE A 1.02 ± 0.07 MM HOLE.
- 8) PRODUCT SPECIFICATION REFER TO FCI GS-12-658.
APPLICATION SPECIFICATION REFER TO FCI GS-20-141.
PRODUCT PACKAGED IN TRAYS, REFER TO FCI GS-14-1502.



Copyright FCI.

dr	Xie Bob	2013/06/27	projection 	MM 	size	A3	scale	3:2
eng	Helen Zhang	2013/07/08			ecn no	-		
chr	Li-He	2013/07/07			rel level	Released		
appr	Pei-Ming Zheng	2013/07/08			product family	PwrBlade+		
		title IP+12S+IP VERTICAL PF HEADER		dwg no 10106267-2003001	rev A			
www.fci.com		cat. no.	Product - Customer Drw		sheet 3 of 3			