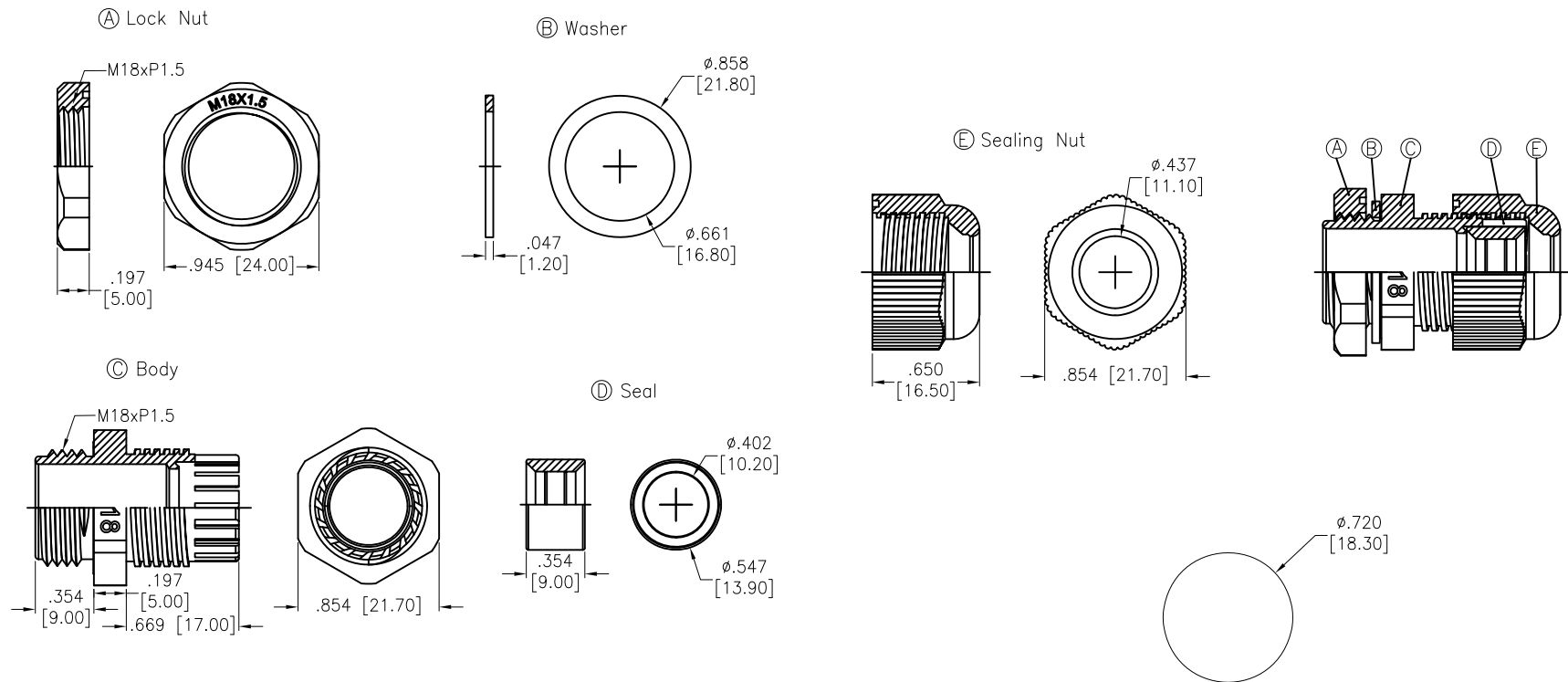


APPROVED: \_\_\_\_\_  
 DATE: \_\_\_\_\_ TITLE: \_\_\_\_\_

Rev	AWO #	Description	Date	Appr
-		RELEASED	11/1/22	
A		UPDATE SPEC.	11/30/22	JJ/RC



**SPECIFICATIONS:**

Material:  
 Lock Nut: PA66, rated UL 94V-2  
 Body: PA66, rated UL 94V-2  
 Sealing Nut: PA66, rated UL 94V-2  
 Washer: Nitrile Butylene  
 Seal: Nitrile Butylene  
 Mechanical:  
 Cable Range O.D.: 5-10mm  
 Thread O.D. L2: 18mm  
 Thread Length L2: 9mm  
 Spanner Size A&E: 24/22mm  
 Nut Torque: 1.5Nm Max.  
 Environmental:  
 Waterproof: IP68  
 Lead free, RoHS compliant.



RECOMMENDED  
 PANEL CUT-OUT  
 (.110 [2.8] MAX PANEL THICKNESS)

UNLESS OTHERWISE SPECIFIED ALL DIMENSIONS ARE INCHES [MM]. TOLERANCES: EXCEPT AS NOTED			<b>ADAM TECH</b> 909 Rahway Avenue, Union, NJ 07083 Phone: 908-687-5000 Fax: 908-687-5710
INCHES	HOLES		
.X ± .10	Ø.X ± .10		TITLE WATERPROOF CONNECTOR, M18, 1 HOLE, CABLE GLAND, WATERPROOF: IP68
.XX ± .020	Ø.XX ± .015		
.XXX ± .015	Ø.XXX ± .010		
DRAWN	WX	11/1/22	SIZE X
CHECKED	RC	11/1/22	
APPROVED			
THIS DRAWING CONTAINS INFORMATION THAT IS PROPRIETARY AND SHOULD NOT BE USED WITHOUT PRIOR WRITTEN PERMISSION FROM ADAM TECH			PART NO. CG-P-M18-1.5
REF: S00211C	SCALE: NTS	SHEET 1 OF 1	REV. A