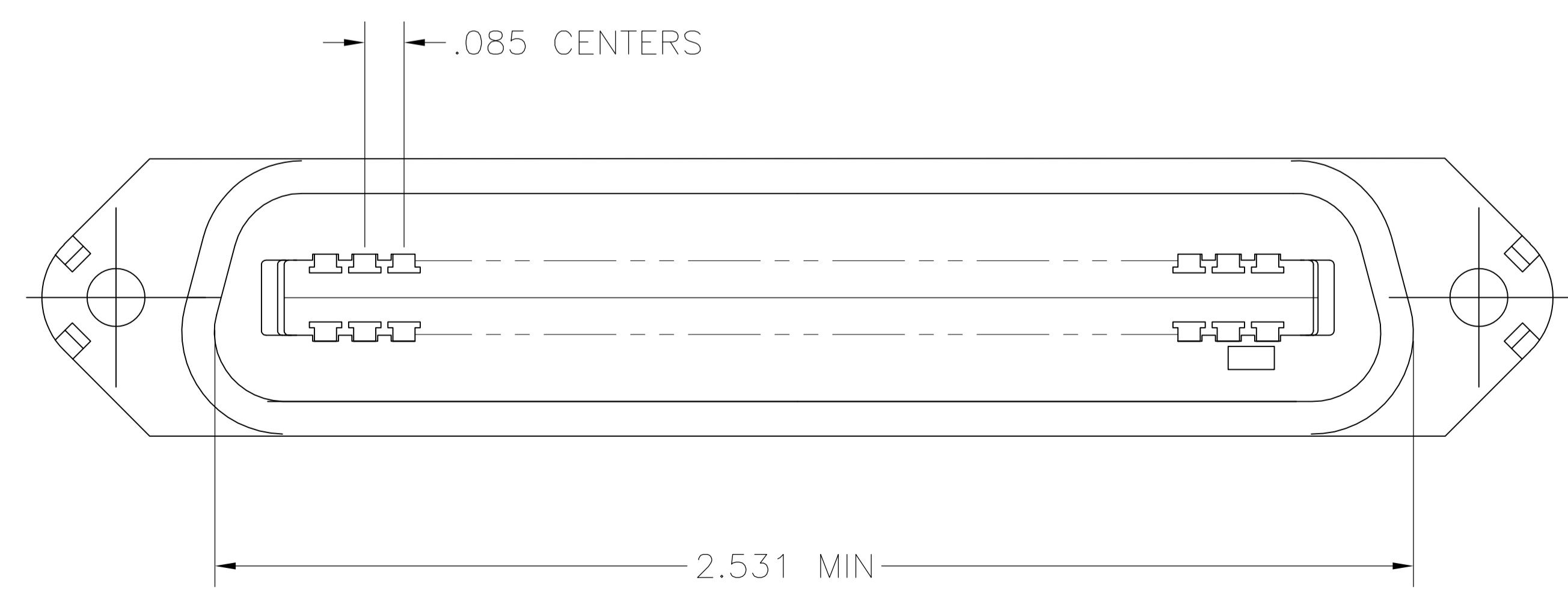
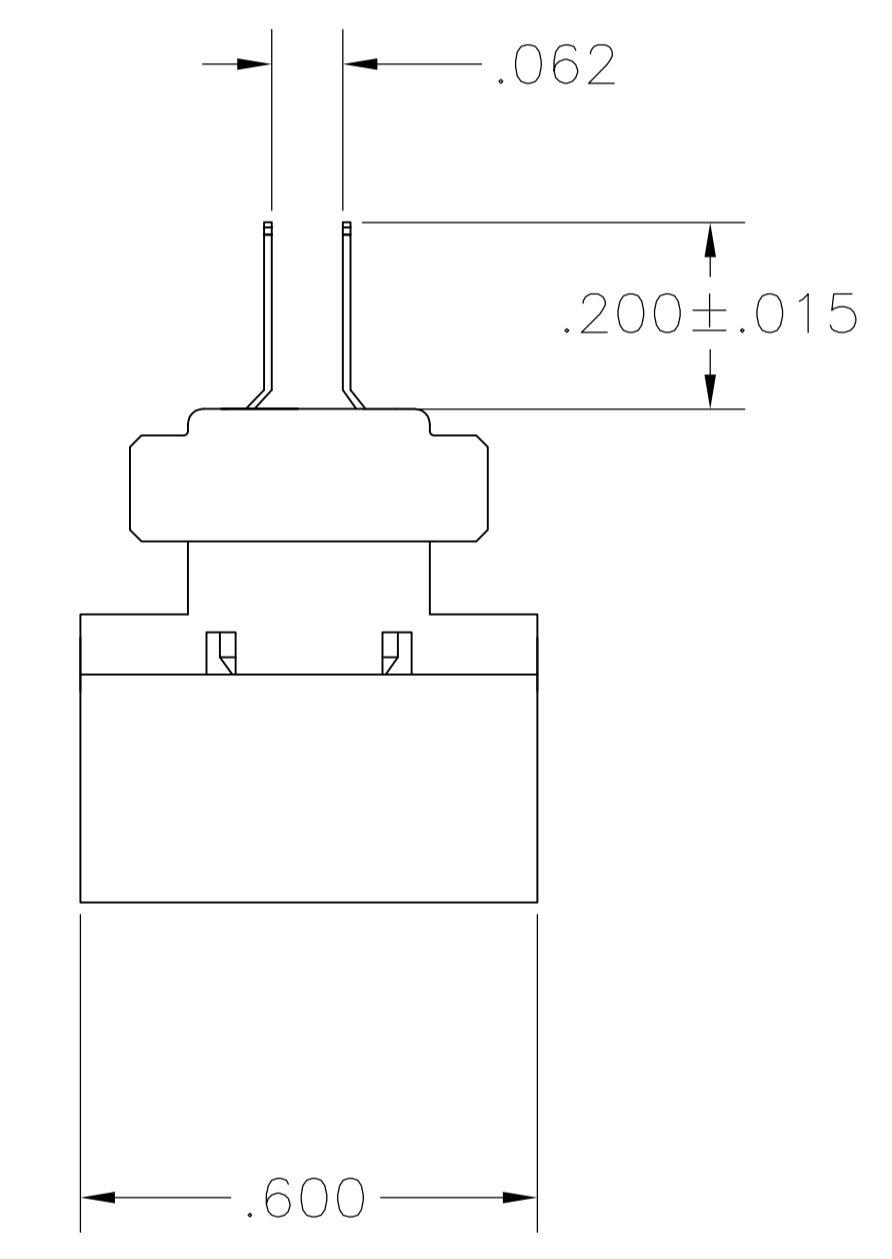
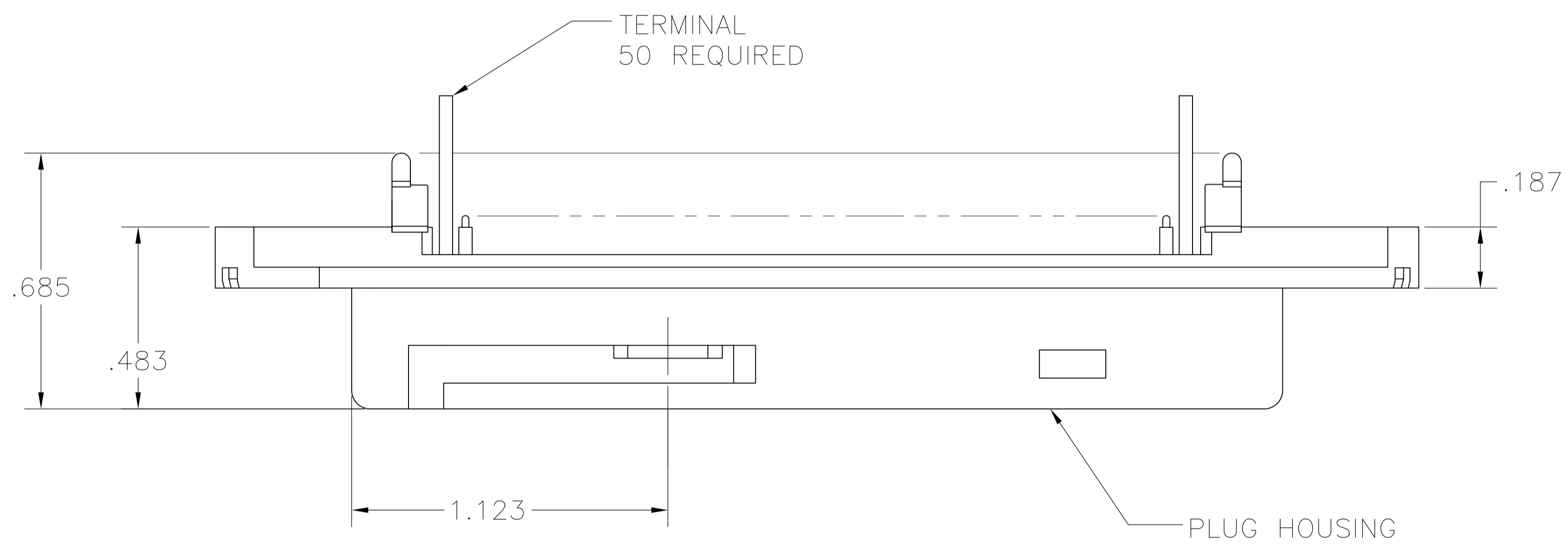


1. THE CONTACT SURFACES OF THE TERMINALS ARE COATED WITH LUBRICANT.
2. MATERIAL: HOUSING - POLYESTER, BLACK. TERMINAL - PHOS BRONZE PLATED WITH EITHER .000030 MINIMUM GOLD PLATE OR GOLD FLASH OVER PALLADIUM NICKEL PLATE, .000030 MINIMUM TOTAL ON MATING SURFACE. .000120 MINIMUM TIN PLATE ON TAILS OVER .000050 MINIMUM NICKEL UNDERPLATE OVER ENTIRE TERMINAL.
3. ALL DIMENSIONS SHOWN ARE FOR REFERENCE ONLY UNLESS OTHERWISE SPECIFIED.



5552126-1  
PART NUMBER

THIS DRAWING IS A CONTROLLED DOCUMENT.		DIN: B. LATTUCA	22AUG05	Tyco Electronics Corporation Harrisburg, PA 17105-3608	
DIMENSIONS: INCHES		CHK: W. MILLHIMES	22AUG05	NAME: PLUG ASSY, 50 POSN, EDGE MTG, CHAMP-LOK	
TOLERANCES UNLESS OTHERWISE SPECIFIED:		APPD: M. WALMSLEY	22AUG05	APPLICATION SPEC: -	
0. PLC	± .005	SIZE: A1		RESTRICTED TO: -	
1. PLC	± .002	CAGE CODE: 00779		WEIGHT: -	
2. PLC	± .001	DRAWING NO: 5552126		SCALE: 4:1	
3. PLC	± .0005	CUSTOMER DRAWING		SHEET 1 OF 1	
4. PLC	± .0002			REV B	
ANGLES	± .0001				