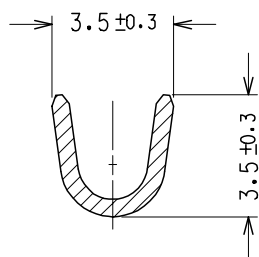
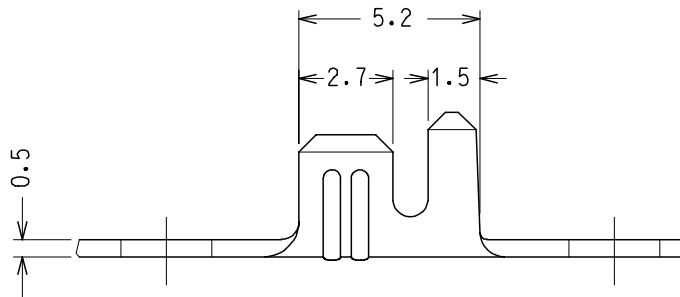
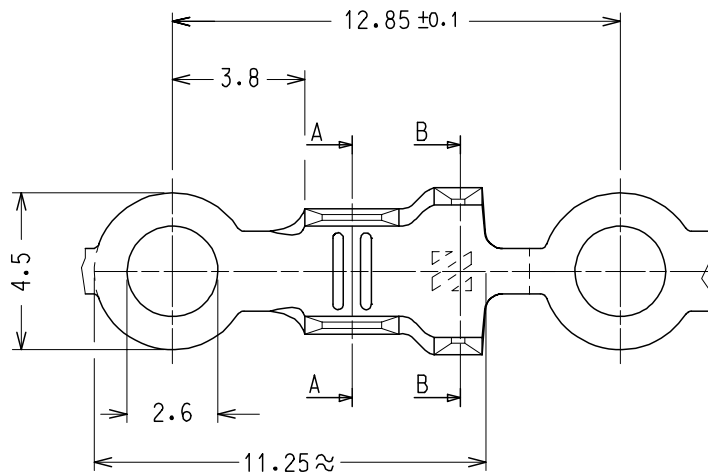


SEZ. B - B



SEZ. A - A



CODICE P/N	MATERIALE MATERIAL	FINITURA PLATING
94030-0301	OTTONE BRASS	GREGGIO PLAIN
94030-0300		STAGNATO TIN

S.P.Q. = 60000 PZ.

Std.Descr.: "RING TONGUE TERMINAL 1.0-2.5

EC NO: Z2005-0030 DRWN:FGOTTARD 2004/09/23 CHKD:RSANDANO 2004/09/23 APPR:GZUIN 2004/09/23	QUALITY SYMBOLS ▽=0 ◻=0	GENERAL TOLERANCES (UNLESS SPECIFIED)		DIMENSION STYLE	SCALE	DESIGN UNITS	<input checked="" type="checkbox"/> FIRST ANGLE PROJECTION		
			mm	INCH	MM ONLY	5:1		METRIC	
		4 PLACES	± ---	± ---	DRAWN BY	DATE	TITLE RING TONGUE TERMINAL WIRE RANGE 1.0 - 2.5 MMQ		
		3 PLACES	± ---	± ---	FGOTTARD	1991/03/19			
2 PLACES	± ---	± ---	CHECKED BY	DATE	MOLEX INCORPORATED				
1 PLACE	± 0.1	± ---	APPROVED BY	DATE					
ANGULAR ± 3 °				MPREVIAT	1991/03/19	MATERIAL NO. SEE CHART		DOCUMENT NO. SD-94030-056	SHEET NO. 1 OF 1
DRAFT WHERE APPLICABLE MUST REMAIN WITHIN DIMENSIONS				THIS DRAWING CONTAINS INFORMATION THAT IS PROPRIETARY TO MOLEX INCORPORATED AND SHOULD NOT BE USED WITHOUT WRITTEN PERMISSION					