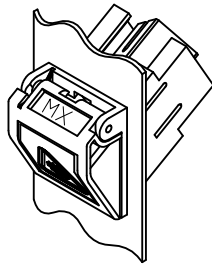
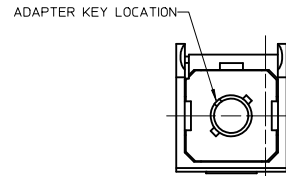


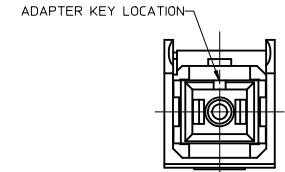
KIT P/N	VERSION	SLEEVE MATERIAL	ADAPTER COLOR
106004-3380	1 (ST-SC)	PHOSPHOR BRONZE	METAL
106004-3381		ZIRCONIA	
106004-3382	2 (FC-SC)	PHOSPHOR BRONZE	
106004-3383		ZIRCONIA	
106004-3384	3 (SC-SC)	PHOSPHOR BRONZE	BLACK
106004-3385		ZIRCONIA	
106004-3388	4 (MTP-MTP)	N/A	
106004-3389			



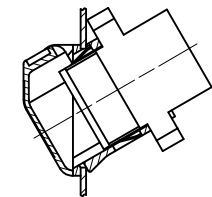
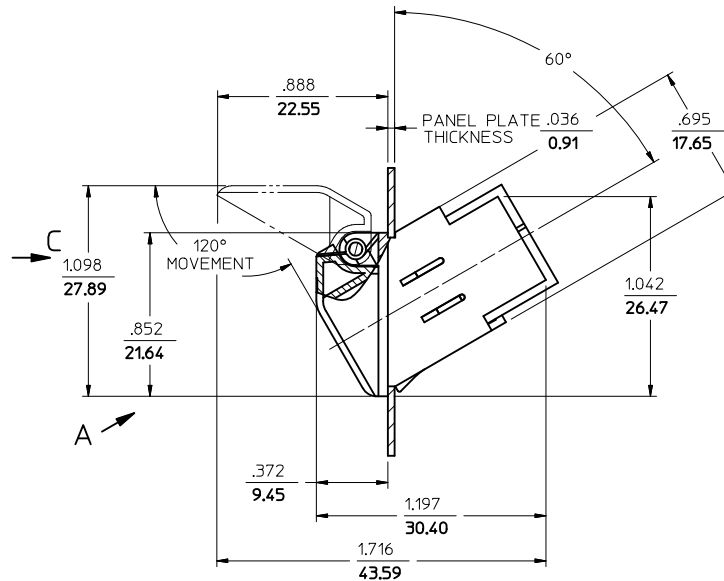
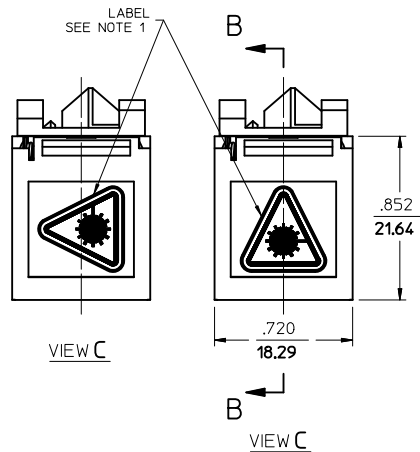
ISOMETRIC VIEW



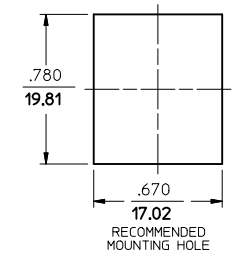
VIEW A
VERSION 1 & 2 (KEY LOCATION)
DOOR REMOVED
ROTATED 30° CW



VIEW A
VERSION 3 (SC-SC)
DOOR REMOVED
ROTATED 30° CW



SECTION B-B
VERSION 4 (MTP-MTP)
SEE NOTE 2



- NOTES:
- LABEL TO BE INSTALLED BY CUSTOMER.
 - MTP-MTP ADAPTER (VERSION 4) TO BE ASSEMBLED BY CUSTOMER, AFTER BEZEL IS INSTALLED IN PANEL CUTOUT.

ENTER DESCRIPTION EC NO: MF2012-0258 DRWNG: PEVZNER 2011/11/11 CHKD: IGJMIN APPR: IGJMIN 2011/11/14	QUALITY SYMBOLS = 0 = 0	GENERAL TOLERANCES (UNLESS SPECIFIED)		DIMENSION STYLE IN/MM	SCALE 2:1	DESIGN UNITS INCH	THIRD ANGLE PROJECTION
		4 PLACES ± --- ± --- 3 PLACES ± --- ± --- 2 PLACES ± --- ± --- 1 PLACE ± --- ± ---	DRAWN BY: RPACIFICI DATE: 2005/10/20 CHECKED BY: _____ DATE: _____	TITLE METALIZED SIMPLEX BEZEL ADAPTER KITS			
		APPROVED BY: _____ DATE: _____		MOLEX INCORPORATED			
		MATERIAL NO. SEE TABLE DRAFT WHERE APPLICABLE MUST REMAIN WITHIN DIMENSIONS		DOCUMENT NO. SD-106004-338X	SHEET NO. 1 OF 1		