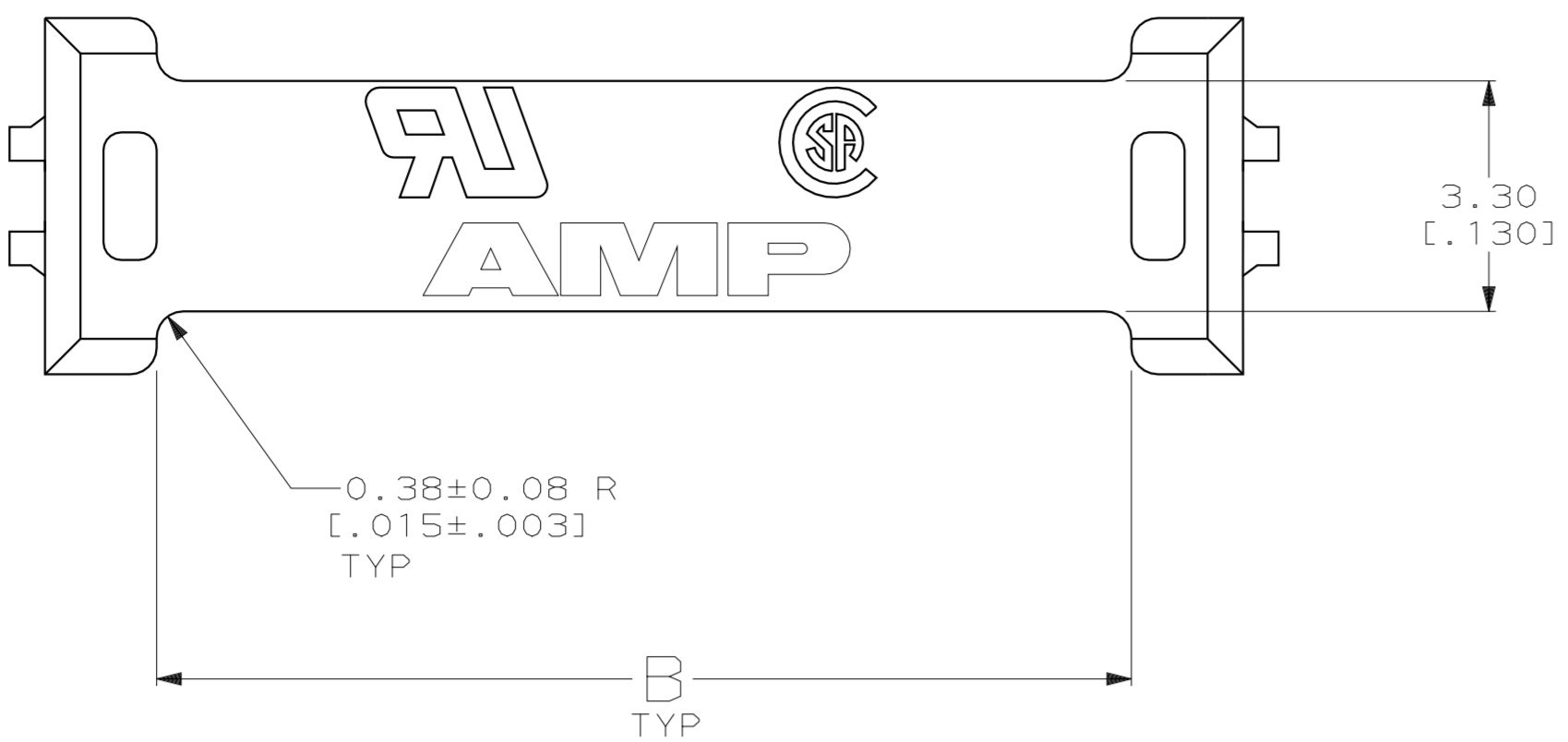
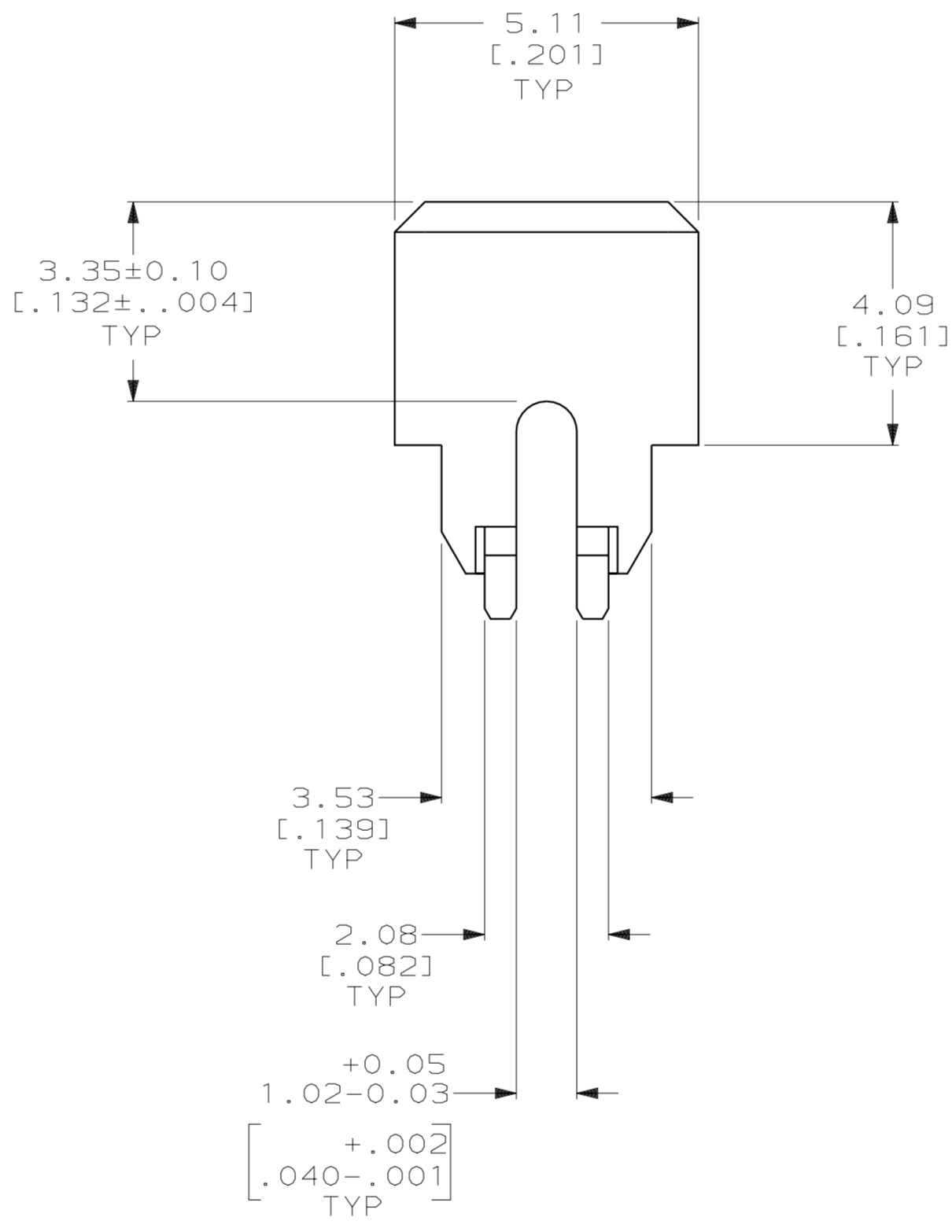
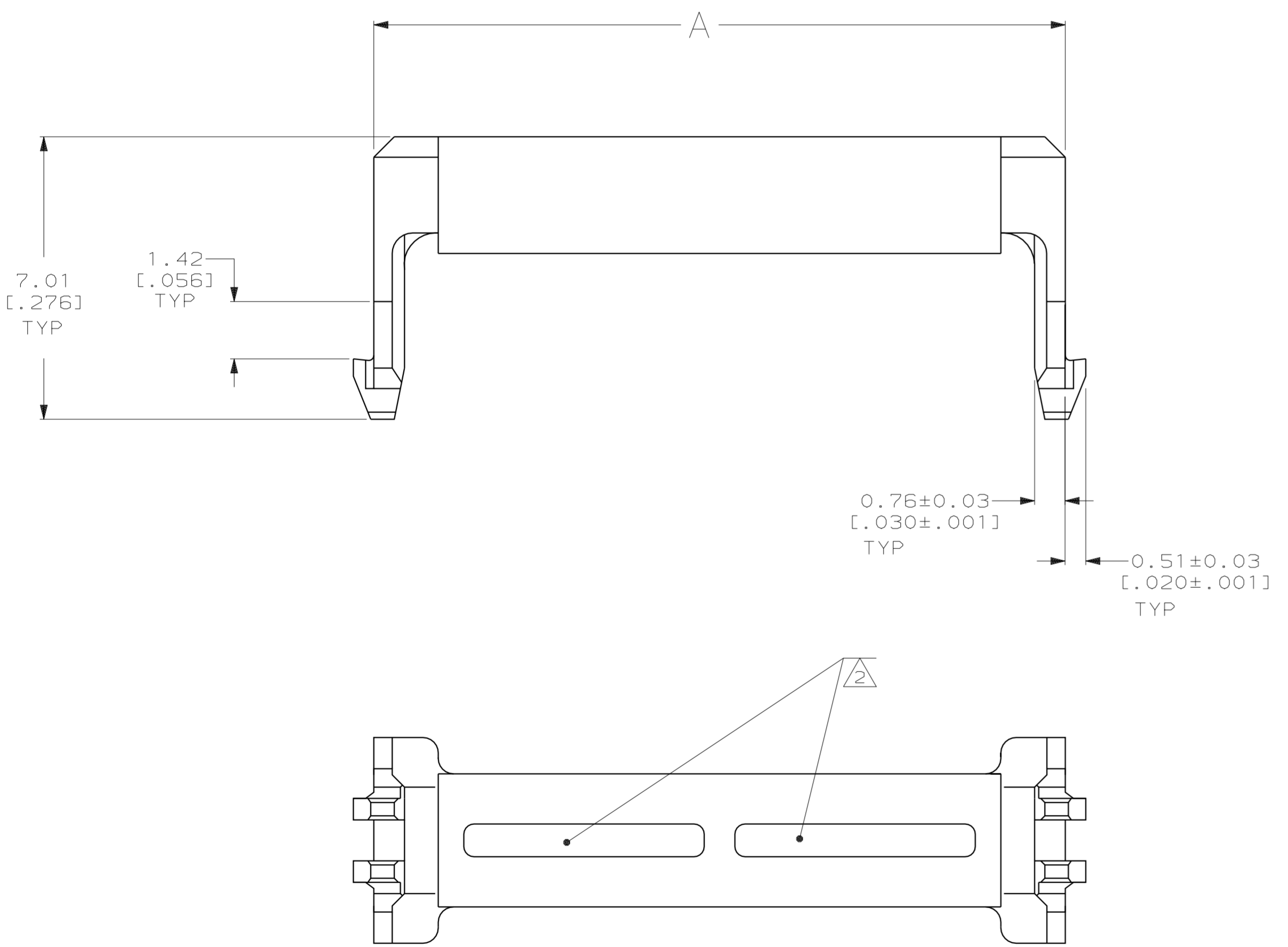


REVISIONS				DATE	APPD			
LOC	DIST	P	F	ZONE	LTR	DESCRIPTION	DATE	APPD
GP	00					K1 REVISED PER ECO 05-008301	11MAY06	JG



- 1 POLYESTER, BLACK, UL94 V-0.
- 2 CORING CONFIGURATION VARIES BY PART SIZE.
- 3. MAXIMUM ACCEPTABLE CABLE THICKNESS 0.97 [0.038].



B	A	NO OF POSN	PART NO
11.94 [2.470]	15.14 [2.596]	12	1-111614-7
7.98 [2.022]	11.18 [2.841]	8	1-111614-6
21.97 [5.596]	25.17 [6.404]	22	1-111614-5
67.97 [17.254]	71.17 [18.084]	68	1-111614-4
63.96 [16.248]	67.18 [17.188]	64	1-111614-3
59.97 [15.241]	63.17 [16.289]	60	1-111614-2
49.96 [12.691]	53.16 [13.549]	50	1-111614-1
43.97 [11.169]	47.17 [12.041]	44	1-111614-0
39.98 [10.151]	43.18 [11.041]	40	111614-9
33.96 [8.633]	37.16 [9.541]	34	111614-8
29.97 [7.615]	33.17 [8.541]	30	111614-7
25.96 [6.597]	29.16 [7.541]	26	111614-6
23.98 [6.099]	27.18 [7.041]	24	111614-5
19.96 [5.081]	23.16 [5.941]	20	111614-4
15.98 [4.063]	19.18 [4.941]	16	111614-3
13.97 [3.545]	17.17 [4.441]	14	111614-2
9.96 [2.527]	13.16 [3.441]	10	111614-1

DO NOT SCALE PRINT. UNLESS SPECIFIED DIMENSIONS IN mm [INCHES] TOLERANCES ON: 2 PLC DEC ± 0.05 (.002) 3 PLC DEC ± - ANGLES ± -		DR 02-21-92 C.OBERMAN CHK 03-2-92 R.STONE APPD 03-2-92 R.LOCATI APPD 03-3-92 D.HOFFMAN	AMP Incorporated Harrisburg, PA 17105-3608	
MATERIAL 1	PRODUCT SPEC 108-1372	NAME STRAIN RELIEF, 2mm CL, AMP-LATCH		
FINISH -	APPLICATION SPEC -	SIZE D	CAGE CODE 00779	DRAWING NO 111614
WEIGHT -		SCALE 10:1	SHEET 1 OF 1	