

SACB- 8/3-L-20,0PUR-M8 HD - Sensor/actuator box



1197338

<https://www.phoenixcontact.com/pc/products/1197338>

Please be informed that the data shown in this PDF document is generated from our online catalog. Please find the complete data in the user documentation. Our general terms of use for downloads are valid.



Sensor/actuator box, application: Standard, connection method: M8 socket Metal, number of slots: 8, number of positions: 3, coding: A, slot assignment: single, status display: Yes, pnp; master cable connection: Fixed connection 180°, PUR/PVC, cable length: 20 m, shielding: no

Your advantages

- Safety in the field, thanks to molded housing and high degree of protection
- Convenient: increased machine availability thanks to quick and easy diagnostics

Commercial data

| | |
|--------------------------------------|---------------|
| Item number | 1197338 |
| Packing unit | 1 pc |
| Minimum order quantity | 1 pc |
| Product key | BF3BCA |
| GTIN | 4063151256241 |
| Weight per piece (including packing) | 2,070 g |
| Weight per piece (excluding packing) | 1.953 g |
| Customs tariff number | 85444290 |
| Country of origin | DE |

1197338

<https://www.phoenixcontact.com/pc/products/1197338>

Technical data

Notes

| | |
|---------|--|
| General | NOTE: Observe the permissible bending radii when laying conductors, since the degree of protection may be put in jeopardy if the bending forces are too high. Alleviate mechanical loads upstream of the connector, e.g. by using cable ties. |
| General | Unused slots are to be sealed off prior to commissioning. Suitable sealing elements are to be found under "Accessories". |

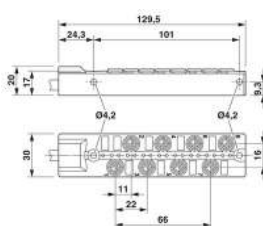
Product properties

| | |
|---------------------|--|
| Product type | Distributor boxes with M8 to M12 slots |
| Number of positions | 3 |
| Application | Standard |
| Number of slots | 8 |
| Coding | A |
| LED | yes |

Material specifications

| | |
|--------------------------|----------|
| Material | Cu alloy |
| | PBT |
| | PUR |
| Seal material O-ring | FKM |
| Contact material | CuZn |
| Contact surface material | Ni/Au |
| Contact carrier material | PBT |

Dimensions

| | |
|---------------------|--|
| Dimensional drawing |  |
| Width | 30 mm |
| Height | 20 mm |
| Length | 129.5 mm |

Connection data

Conductor connection

| | |
|--|------------------|
| Connection method | Fixed connection |
| Tightening torque slot sensor/actuator cable | 0.2 Nm |

SACB- 8/3-L-20,0PUR-M8 HD - Sensor/actuator box

1197338

<https://www.phoenixcontact.com/pc/products/1197338>

Pin assignment

| Slot/position = Wire color or connection | |
|--|-----------------------|
| | 1 / 4 (A) = WH |
| | 2 / 4 (A) = GN |
| | 3 / 4 (A) = YE |
| | 4 / 4 (A) = GY |
| | 5 / 4 (A) = PK |
| | 6 / 4 (A) = RD |
| | 7 / 4 (A) = BK |
| | 8 / 4 (A) = VT |
| | 1-8 / 1 (+ 24 V) = BN |
| | 1-8 / 3 (0 V) = BU |

Signaling

| | |
|------------------------|-----|
| Status display present | Yes |
|------------------------|-----|


Electrical properties

| | |
|---|-------------------------------|
| Max. operating voltage U_{max} | 30 V DC |
| Local diagnostics | Supply voltage Green LED |
| | Status display I/O Yellow LED |
| Nominal voltage U_N | 24 V DC |
| Rated current, total | 6 A |
| Max. current carrying capacity per path | 2 A |
| Current carrying capacity per slot | 2 A |

Cable/line

| | |
|--------------|------|
| Cable length | 20 m |
|--------------|------|

PUR/PVC black [PUR]

| | |
|---------------------------------|--|
| Dimensional drawing |  |
| Cable weight | 92 kg/km |
| UL AWM Style | 20549 |
| Number of positions | 10 |
| Shielded | no |
| Cable type | PUR/PVC black [PUR] |
| Conductor structure signal line | 19x 0.15 mm |
| AWG signal line | 22 |
| Conductor cross section | 8x 0.34 mm ² (Signal line) |

SACB- 8/3-L-20,0PUR-M8 HD - Sensor/actuator box



1197338

<https://www.phoenixcontact.com/pc/products/1197338>

| | |
|---|---|
| | 2x 0.75 mm ² (power line) |
| Wire diameter incl. insulation | 1.3 mm ±0.1 mm (Signal line) |
| | 1.8 mm ±0.1 mm (power line) |
| External cable diameter | 7.9 mm ±0.2 mm |
| Outer sheath, material | PUR |
| External sheath, color | black RAL 9005 |
| Conductor material | Bare Cu litz wires |
| Material wire insulation | PVC |
| Single wire, color | brown, blue, white, green, yellow, gray, pink, red, black, violet |
| Inner sheath thickness | ≥ 0.15 mm |
| Thickness, outer sheath | ≥ 0.38 mm |
| Overall twist | Wires twisted in layers |
| Nominal voltage, cable | 300 V |
| Test voltage | 2000 V |
| Minimum bending radius, fixed installation | 7.5 x D |
| Minimum bending radius, flexible installation | 10 x D |
| Max. bending cycles | 1500000 |
| Flame resistance | DIN EN 50265 |
| Resistance to oil | according to VDE 0472 Part 803 |
| Other resistance | Highly resistant to acids, alkaline solutions and solvents |
| Special properties | Silicone-free |
| Ambient temperature (operation) | -40 °C ... 90 °C (cable, fixed installation) |
| | -5 °C ... 80 °C (Cable, flexible installation) |
| | 80 °C (in acc. with UL) |

Standards and regulations

| | |
|--------------------------|-----------------|
| Standard designation | M8 connector |
| Standards/specifications | IEC 61076-2-104 |

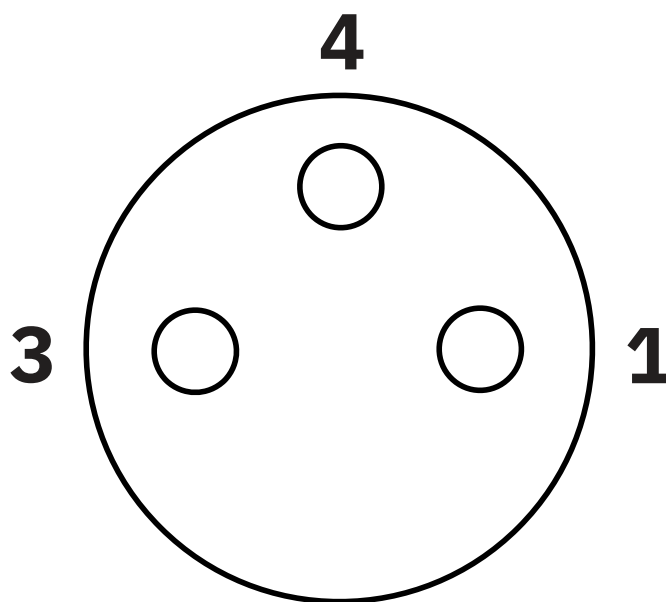
Environmental and real-life conditions

Ambient conditions

| | |
|---------------------------------|------------------|
| Degree of protection | IP67 |
| Ambient temperature (operation) | -25 °C ... 80 °C |

Drawings

Schematic diagram



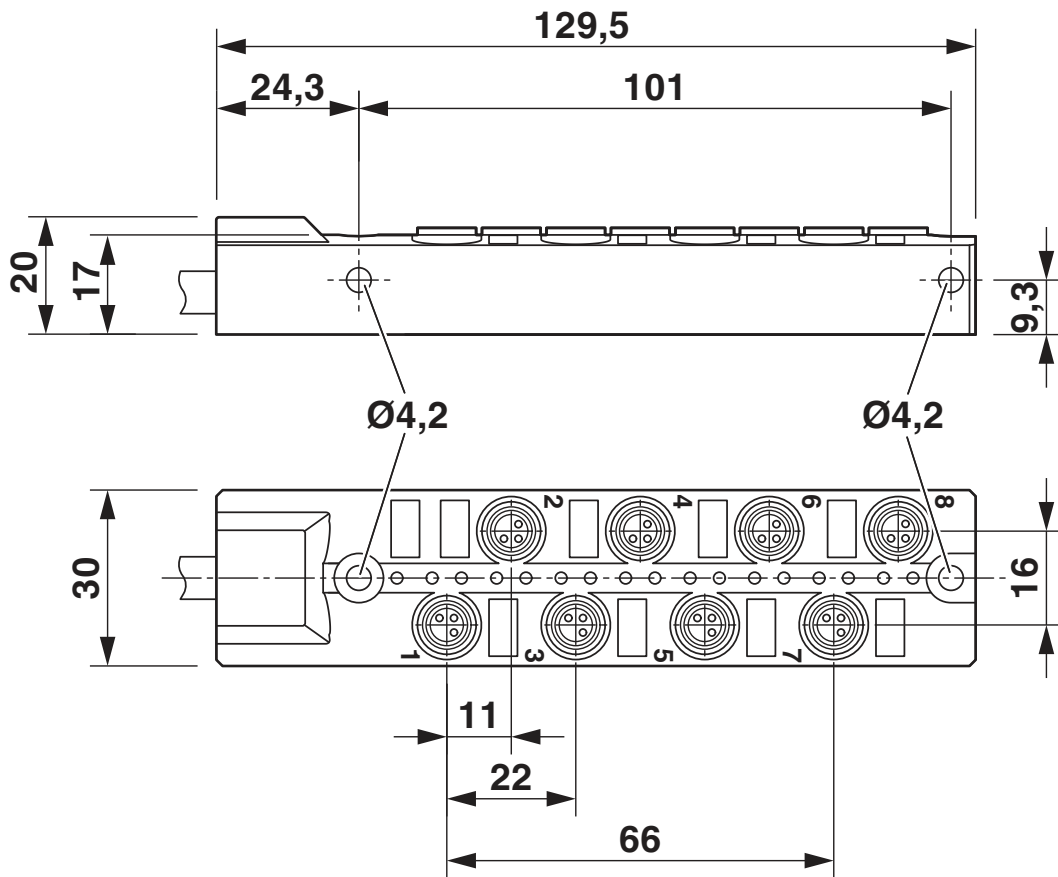
M8 slot, socket, 3-pos.

SACB- 8/3-L-20,0PUR-M8 HD - Sensor/actuator box

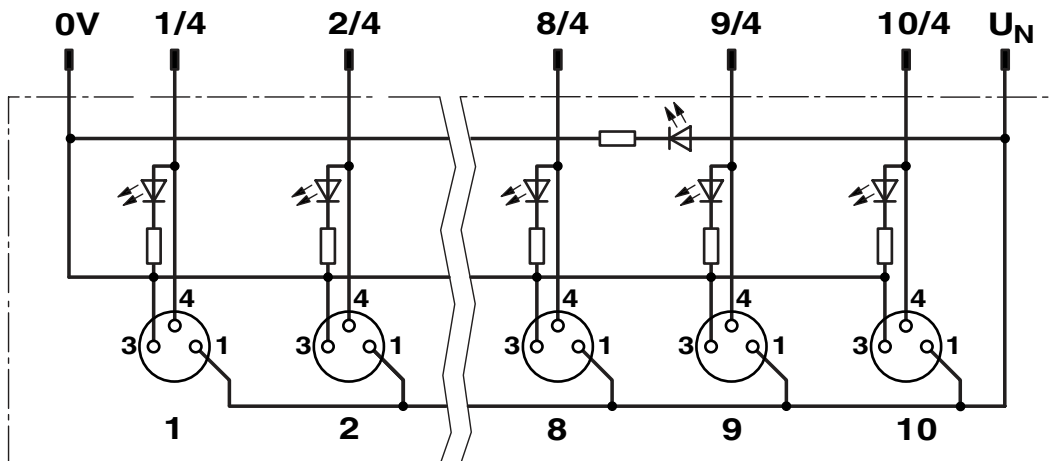
1197338

<https://www.phoenixcontact.com/pc/products/1197338>

Dimensional drawing



Circuit diagram



SACB- 8/3-L-20,0PUR-M8 HD - Sensor/actuator box



1197338

<https://www.phoenixcontact.com/pc/products/1197338>

Classifications

ECLASS

| | |
|-------------|----------|
| ECLASS-11.0 | 27440108 |
| ECLASS-12.0 | 27440108 |
| ECLASS-13.0 | 27440108 |

ETIM

| | |
|----------|----------|
| ETIM 8.0 | EC002585 |
|----------|----------|

UNSPSC

| | |
|-------------|----------|
| UNSPSC 21.0 | 31251500 |
|-------------|----------|

SACB- 8/3-L-20,0PUR-M8 HD - Sensor/actuator box



1197338

<https://www.phoenixcontact.com/pc/products/1197338>

Environmental product compliance

| | |
|------------|---|
| China RoHS | Environmentally friendly use period: unlimited = EFUP-e |
| | No hazardous substances above threshold values |

SACB- 8/3-L-20,0PUR-M8 HD - Sensor/actuator box



1197338

<https://www.phoenixcontact.com/pc/products/1197338>

Accessories

UCT-TM 6 - Marker for terminal blocks

0828736

<https://www.phoenixcontact.com/pc/products/0828736>



Marker for terminal blocks, Sheet, white, unlabeled, can be labeled with: TOPMARK NEO, TOPMARK LASER, BLUEMARK ID COLOR, BLUEMARK ID, BLUEMARK CLED, THERMOMARK PRIME, THERMOMARK CARD 2.0, THERMOMARK CARD, mounting type: snapped, for terminal block width: 6.2 mm, lettering field size: 5.6 x 10.5 mm, Number of individual labels: 60

PROT-M8 - Screw plug

1682540

<https://www.phoenixcontact.com/pc/products/1682540>



An M8 screw plug for the unoccupied M8 sockets of the sensor/actuator cable, boxes and flush-type connectors

SACB- 8/3-L-20,0PUR-M8 HD - Sensor/actuator box



1197338

<https://www.phoenixcontact.com/pc/products/1197338>

TSD 02 SAC - Torque screwdriver

1208487

<https://www.phoenixcontact.com/pc/products/1208487>



Torque screwdriver, with preset torque of 0.2 Nm and 4 mm hexagonal drive for M8 connectors

SAC BIT M8-D10 - Tool

1208461

<https://www.phoenixcontact.com/pc/products/1208461>



Nut for assembling M8 connectors with longitudinal knurl and a knurl diameter of 10 mm, for 4 mm hexagonal drive

SACB- 8/3-L-20,0PUR-M8 HD - Sensor/actuator box



1197338

<https://www.phoenixcontact.com/pc/products/1197338>

SACC BIT M8-D12 - Tool

1208474

<https://www.phoenixcontact.com/pc/products/1208474>



Nut for assembling M8 connectors with longitudinal knurl and a knurl diameter of 12 mm, for 4 mm hexagonal drive

WIREFOX-D 40 - Stripping tool

1212161

<https://www.phoenixcontact.com/pc/products/1212161>



Stripping tool, for stripping cables of 4.5 mm - 40 mm-Ø, insulation thickness of up to 4.5 mm, pivoting blade for round, lengthwise, and spiral cuts

SACB- 8/3-L-20,0PUR-M8 HD - Sensor/actuator box



1197338

<https://www.phoenixcontact.com/pc/products/1197338>

WIREFOX-D 11 - Stripping tool

1212160

<https://www.phoenixcontact.com/pc/products/1212160>



Stripping tool, for stripping multicore signal, control and fiberglass wires of \varnothing 2.5 - 11 mm. Insulation thickness up to 1 mm

WIREFOX-D 13 - Stripping tool

1212162

<https://www.phoenixcontact.com/pc/products/1212162>



Stripping tool, for stripping installation lines of \varnothing 8 - 13 mm , e.g. NYM 3 x 1.5 mm² to 5 x 2.5 mm², single line stripping 0.2 mm² - 4 mm² , with longitudinal cut blade and sliding knife

SACB- 8/3-L-20,0PUR-M8 HD - Sensor/actuator box



1197338

<https://www.phoenixcontact.com/pc/products/1197338>

WIREFOX-MP VDE - Stripping tool

1212528

<https://www.phoenixcontact.com/pc/products/1212528>



Multifunction stripping tool, for removing the jacket from cables with a diameter of 8 to 13 mm, for stripping cables with a cross section of 0.2 to 10 mm², with full-fledged diagonal cutter, VDE 1000 V AC/1500 V DC tested

WIREFOX 2,5 - Stripping tool

1212368

<https://www.phoenixcontact.com/pc/products/1212368>



Stripping tool, for conductors and cables with a conductor cross section from 0.08 to 2.5 mm², self-adjusting, stripping length adjustable up to 15 mm, cutting capacity up to 6 mm² stranded/1.5 mm² solid

Phoenix Contact 2023 © - all rights reserved
<https://www.phoenixcontact.com>

PHOENIX CONTACT GmbH & Co. KG
Flachsmarktstraße 8
D-32825 Blomberg
+49 (0) 5235-3 00
info@phoenixcontact.com