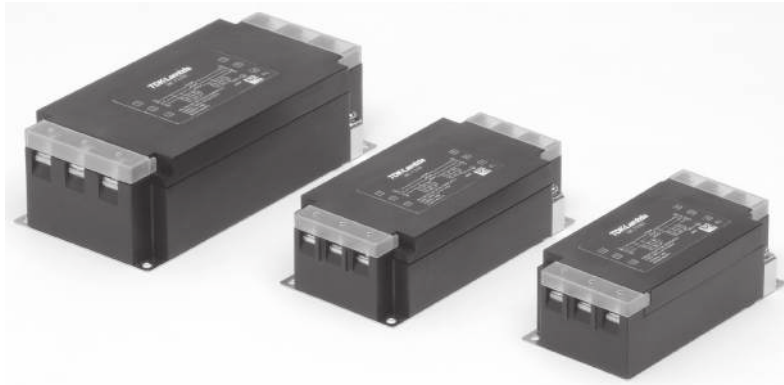


RTAN SERIES

Three-Phase External Noise Prevention Filter (For Immunity)



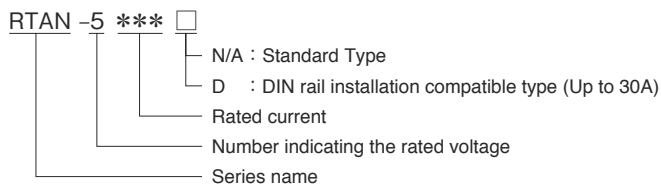
FEATURES

- Self-tightening screws and an open/close type cover make wiring work easier.
- Small and light plastic body.
- Low-profile design.
- Best for high-voltage pulse noise prevention.
- DIN rail installation compatible type is also available.

SAFETY STANDARDS

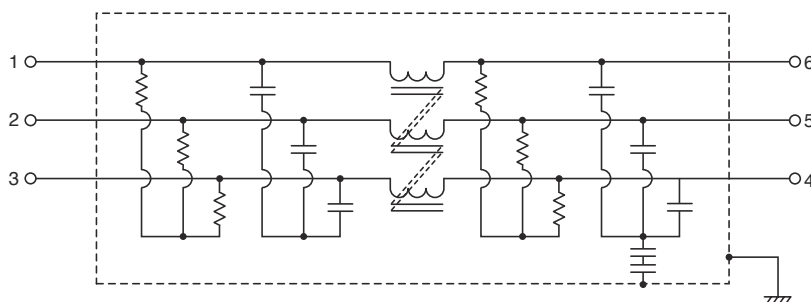
UL1283 UL File No. E62388
 EN60939-1/-2 (ENEC14) Licence Ref. No. SE/07115-5

PRODUCT IDENTIFICATION



CONFORMITY TO RoHS Directive

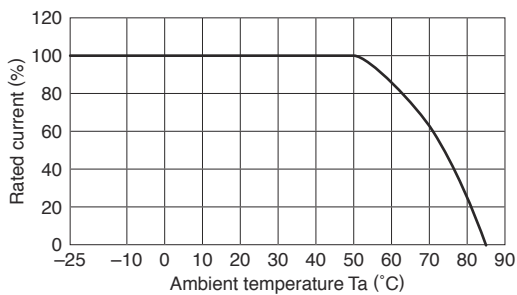
CIRCUIT DIAGRAM



ELECTRICAL CHARACTERISTICS

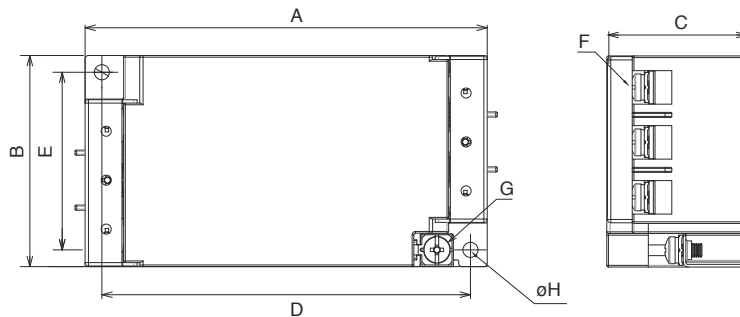
Part No.	Rated voltage (AC/DC)	Rated current (AC/DC)	Withstand voltage	Insulation resistance	Leakage current	Operating temperature range	With derating over	DC resistance (mΩ)	Attenuation frequency range (MHz)		Weight (kg)
									Common mode	Differential mode	
									at 25dB	at 25dB	
RTAN-5006	500V	6A	AC.2500V 60s [Between line to ground]	100MΩ min. [DC.500V/ 1min]	2.5mA max. [250V/60Hz]	-25 to +85°C	50°C	145 max.	0.2 to 10	0.2 to 30	0.36
RTAN-5010		10A						60 max.	0.3 to 10	0.2 to 30	0.36
RTAN-5020		20A						25 max.	0.4 to 10	0.2 to 30	0.57
RTAN-5030		30A						13 max.	0.6 to 10	0.3 to 30	0.57
RTAN-5040		40A						10 max.	0.5 to 8	0.2 to 30	1.12
RTAN-5050		50A						7 max.	0.6 to 10	0.3 to 30	1.12
RTAN-5060		60A						5 max.	0.7 to 10	0.3 to 30	1.12

DERATING GRAPH

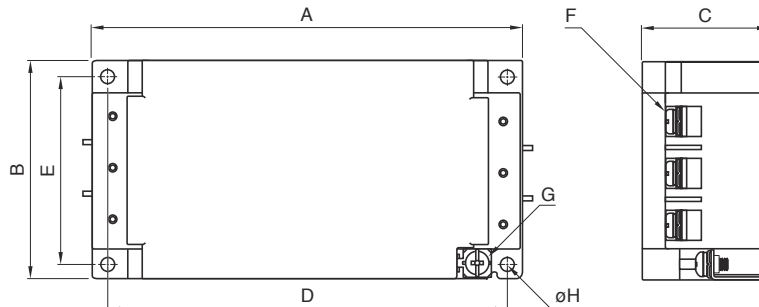


MECHANICAL

RTAN-5006/5010



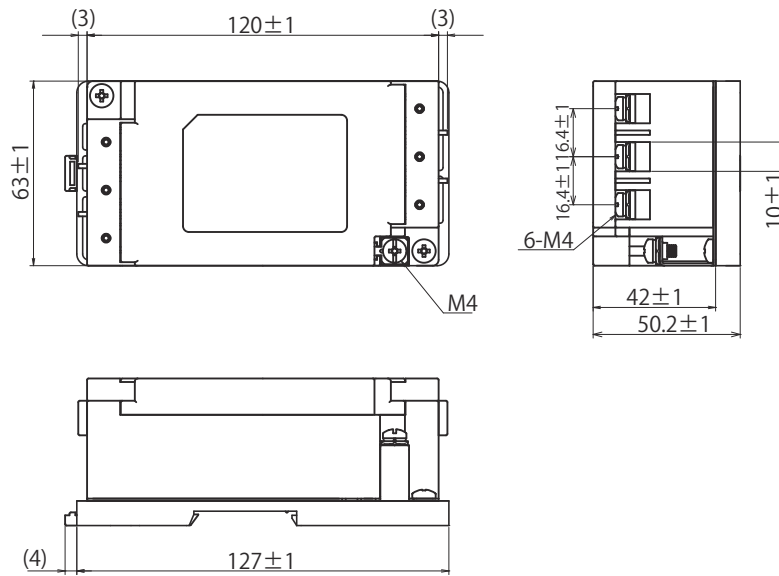
RTAN-5020/5030/5040/5050/5060



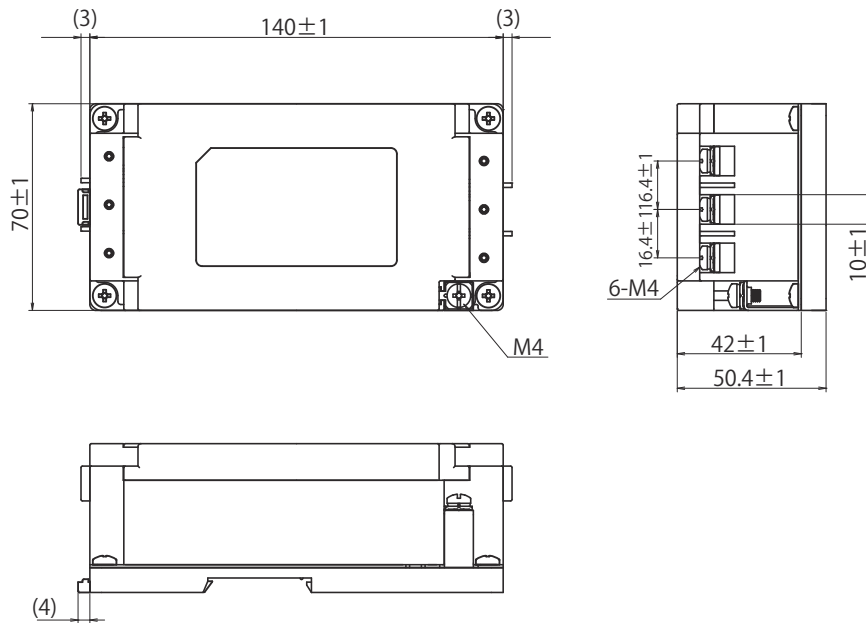
Dimensions in mm

Part No.	A	B	C	D	E	F	G	φH	Recommended clamping torque
RTAN-5006	120	63	42	110	53	M4	M4	4.5	M4 : 1.27N · m M5 : 2.5N · m
RTAN-5010									
RTAN-5020	140	70	42	130	60	M4	M4	4.5	
RTAN-5030									
RTAN-5040									
RTAN-5050	170	90	54	160	80	M5	M4	4.5	
RTAN-5060									

RTAN-5006D/5010D



RTAN-5020D/5030D

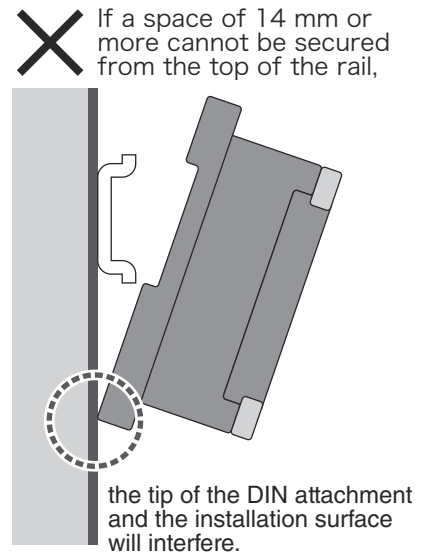
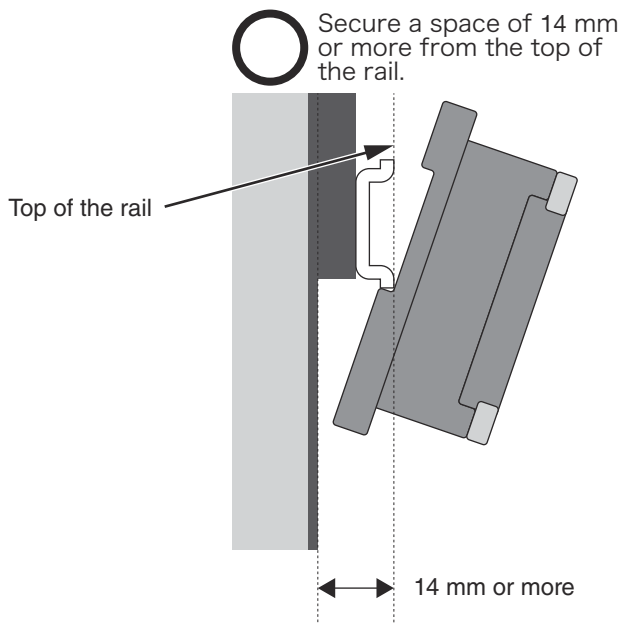


Dimensions in mm

*Please see the next page: "Precautions of DIN rail mounting".

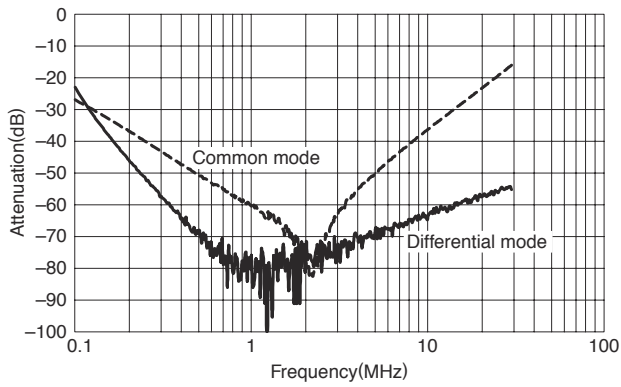
Precautions of DIN rail mounting

When installing on a DIN rail, secure a space with a depth of 14 mm or more from the top of the rail. If there is no depth space, the tip of the DIN attachment and the installation surface may interfere and it may not be possible to install it.

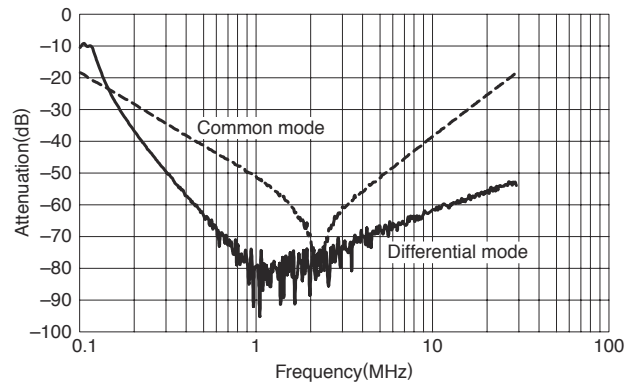


ATTENUATION vs. FREQUENCY CHARACTERISTICS

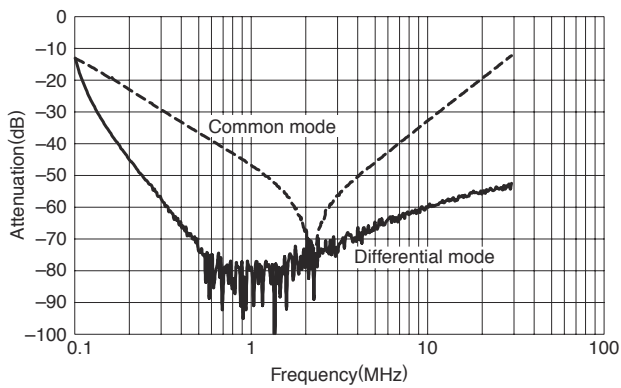
RTAN-5006



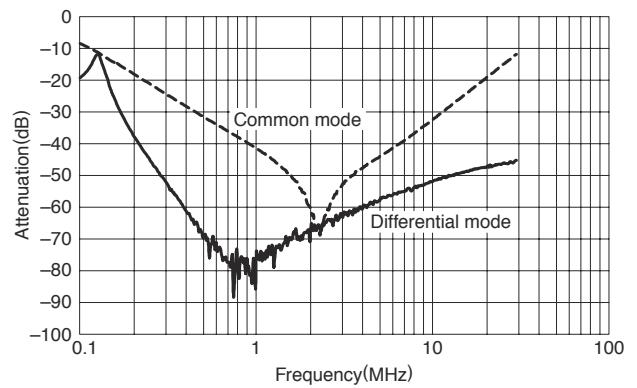
RTAN-5010



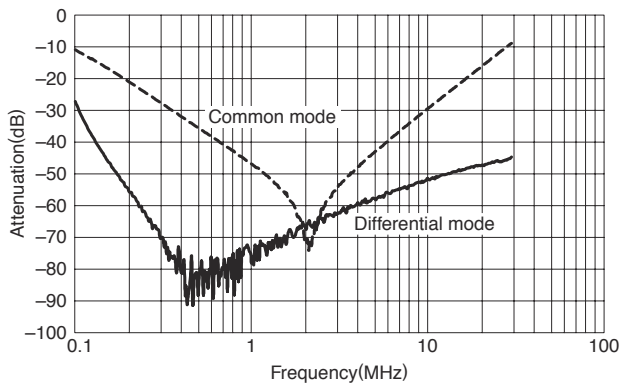
RTAN-5020



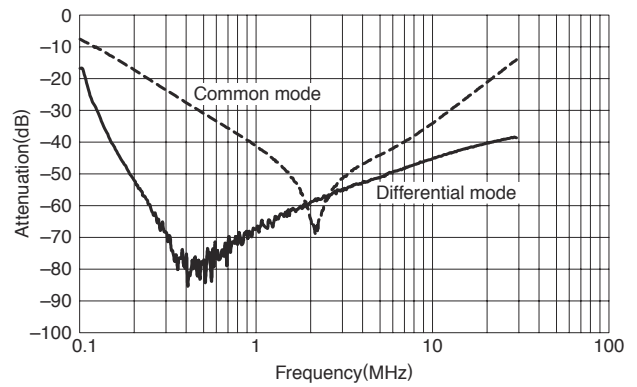
RTAN-5030



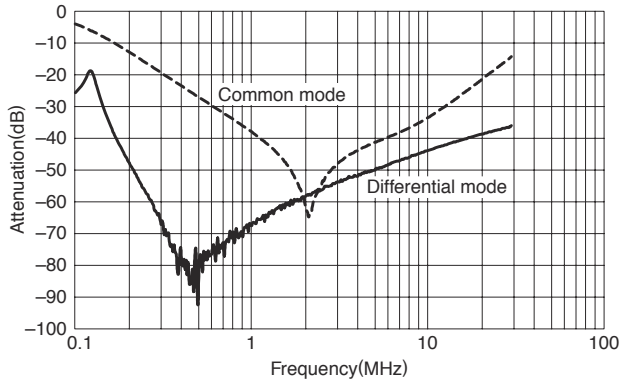
RTAN-5040



RTAN-5050

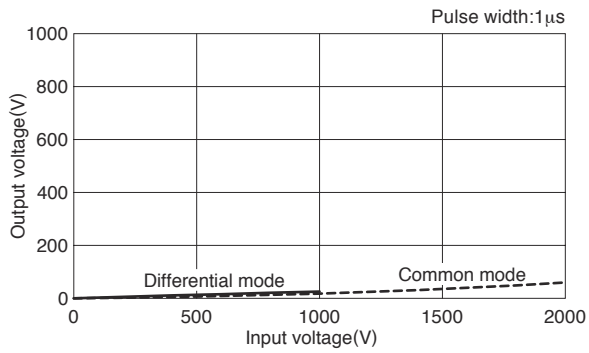


RTAN-5060

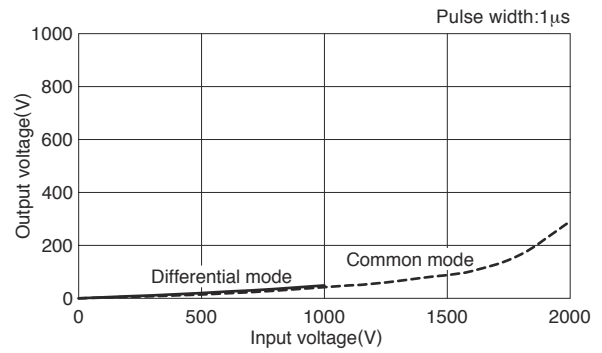


PULSE ATTENUATION CHARACTERISTICS

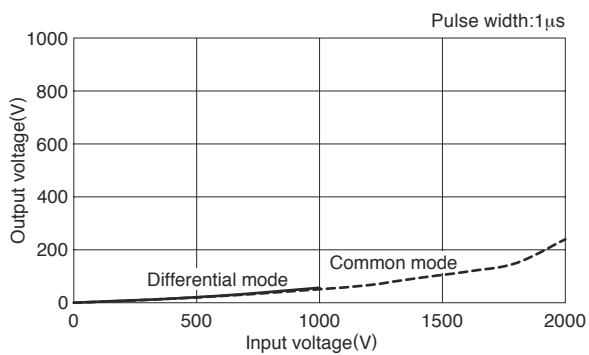
RTAN-5006



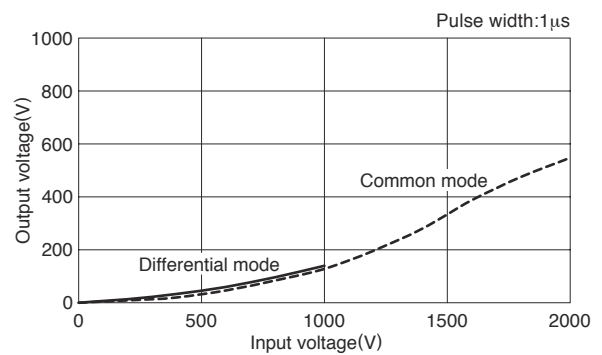
RTAN-5010



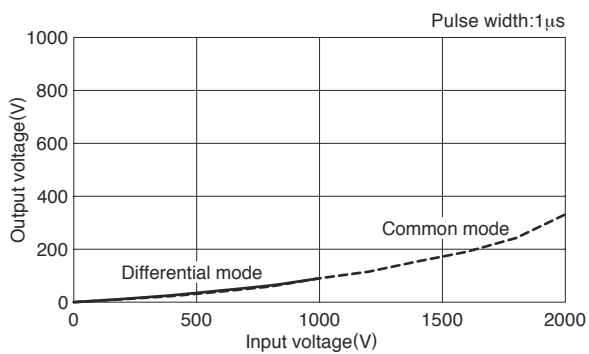
RTAN-5020



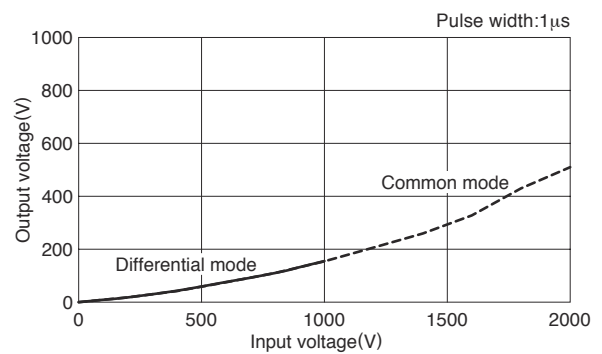
RTAN-5030



RTAN-5040



RTAN-5050



RTAN-5060

