

General Specifications

Motor Protection:

Auto Restart/Polarity Protection/Hot Swap: Available

Insulation Resistance:

min 10M Ω by DC500V Megger

Dielectric Withstand Voltage: AC 700V 1s

Allowable Ambient Temperature Range:

-10°C ~ +60°C (Operating)

-40°C ~ +60°C (Storage)

(non-condensing environment)

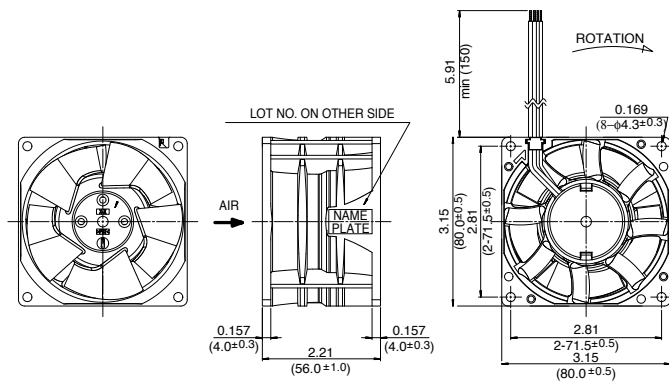
Expected Life

Failure Rate: 10%

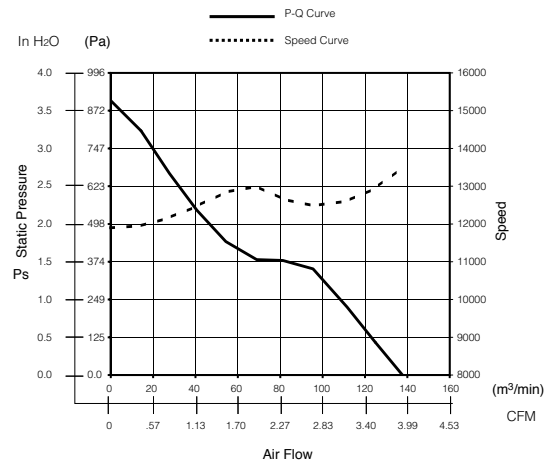
25°C 100,000 Hours

Outline

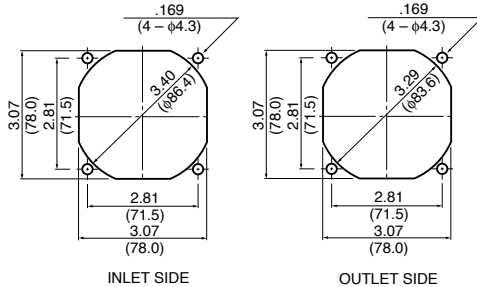
Units: $\frac{\text{inch}}{\text{mm}}$



Characteristic Curves



Panel Cut-outs



Material

Casing : Plastic (Black) 94V-0

Impeller : Plastic (Black) 94V-0

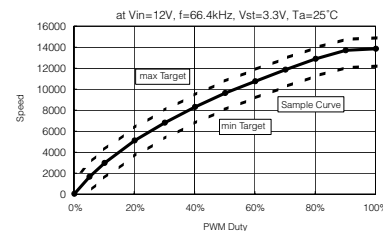
Bearing : Ball Bearing

Lead Wire : UL3385, AWG20 or 22, +Red, -Black

Tach Sig. : White AWG22 or 24

PWM Control : Brown AWG22 or 24

Reference PWM Duty vs Speed Curve



PWM Control Voltage

V_{st} = 0V ~ 0.3V

Low Speed Duty 0% = Low Speed

V_{st} = 3.2V ~ 4.5V

High Speed Duty 100% = Full Speed

V_{st} = Open

High Speed Duty 100% = Full Speed

I_{PWM} = max 1.2mA

(At T_a = 25°C, rated voltage + 12VDC and f=66.4 kHz)

Specifications

MODEL	Rated Voltage	Operating Voltage	Current	Input Power	Speed	Max. Air Flow	Max. Static Pressure	Noise	Mass	
	Product No.	(V)	(V)	(A) ^{*1}	(W) ^{*1}	(min) ⁻¹	CFM ^{*1} (m ³ /min) ^{*1}	in H ₂ O (Pa) ^{*1}	(dB) ^{*1}	(g)
3122FT-D4W-B56-	EXX	12	10.8 ~ 13.2	3.90	46.80	13,500	138.0 3.90	3.63 905.0	65.5	220

Rotation: Clockwise

Airflow Outlet: Air Out Over Struts

*1: Average Values in Free Air