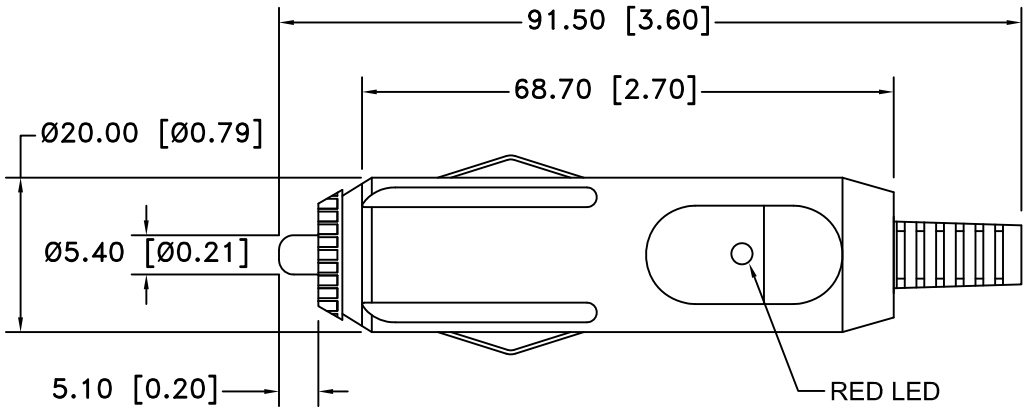



Date	SYM	REVISION RECORD	AUTH	DR.	CK.
12/09/11	A	UPDATED NOTES	T.B.	B.S.	
02/24/12	B	UPDATED NOTES AND TITLE	T.B.	B.S.	
11/07/14	C	UPDATED TO ROHS 2 COMPLIANT	T.B.	B.S.	



NOTE:
 CASING: ABS
 CAP: ABS
 TERMINALS: STEEL, NICKEL PLATED
 TIP: BRASS, NICKEL PLATED
 FUSE: 3AMP., 250V, GLASS
 LED: RED, T-1, 3mm
 SPRING: SWG, ZINC PLATED
 ROHS 2 COMPLIANT
 CE LISTED

Tolerance (Except as noted)	 Memory Protection Devices, Inc 200 Broad Hollow Road, Farmingdale, New York 11735	Scale	Drawn By B.S.
			Approved By T.B.
decimal $\pm .5$ (.020)	Title AUTO PLUG FOR 21mm AND 22.2mm SOCKETS WITH FUSE AND RED LED		
Fractional $\pm .8$ (.030)	Date 11/07/14	Drawing Number AP-129	