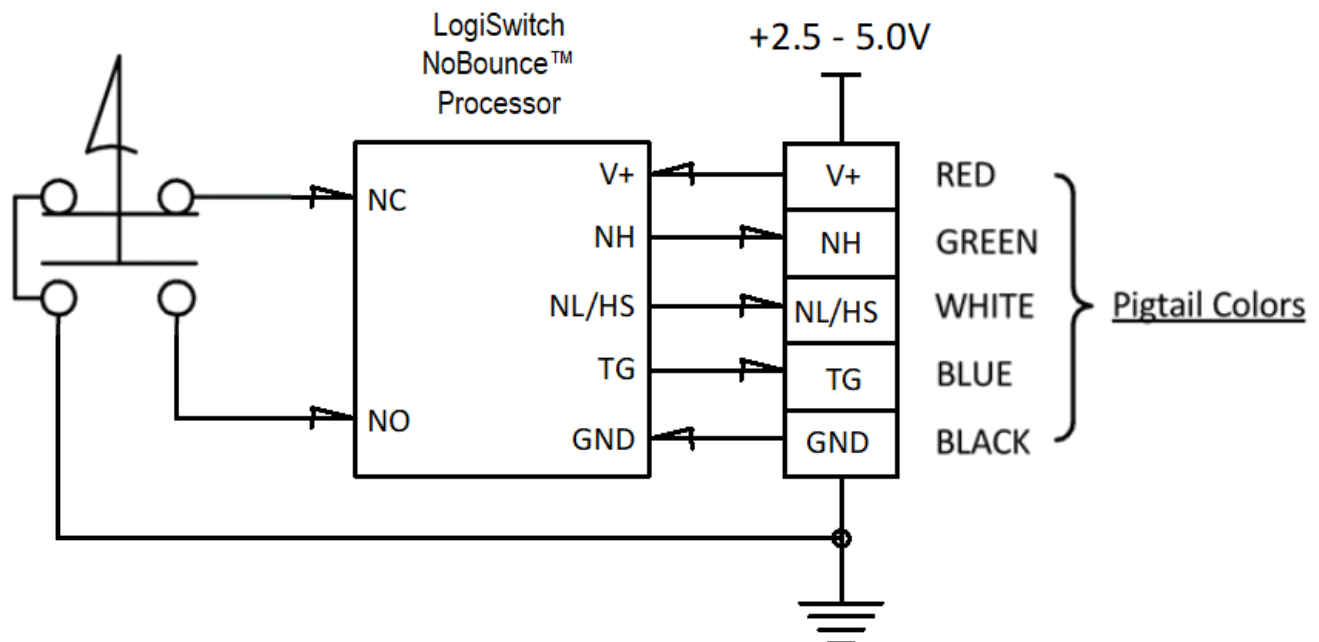


LS-8108 Mini Limit Switch with Adjustable Roller Arm

Overview

Every LogiSwitch Digital Switch uses LogiSwitch's NoBounce™ technology and comes with three separate clean, debounced outputs, including two momentary selections: Normally high (low when pressed) or Handshake (see [User Guide](#)) and a latched Toggle (push on/push off) selection.

Schematic



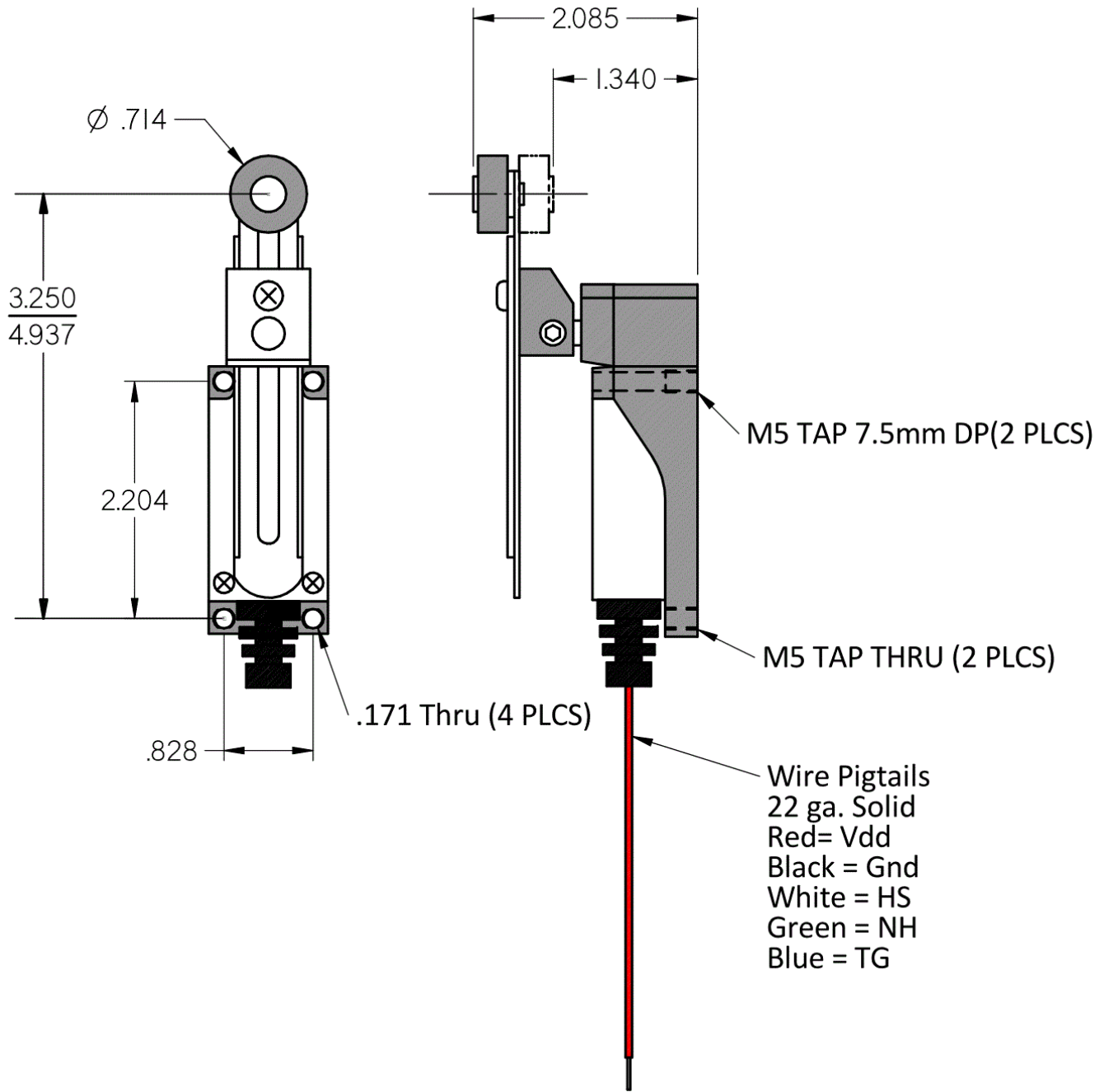
Pin functions are brought out externally from the LogiSwitch PCB with 6-inch wire pigtails, color coded as shown below:

Output Pin Definitions

As you can see the 5-pin header contains Power and Ground pins plus three outputs: TG/LED, NL HS, and NH. The function of these pins is given in the table below.

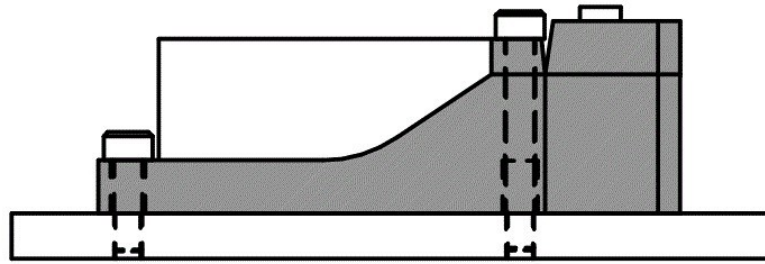
Pin	Function
NH	This debounced output is high when the switch is idle and goes low when the switch is activated (pressed). This is a totem pole output that provides up to 25 ma sourcing or sinking.
NL HS	<p>This debounced output is low when the switch is not pressed and goes high when it is activated. It is a wired-OR line with a weak pull-up resistor internal to the processor. Low level outputs can sink up to 25ma. The NL/HS I/O may be used by the user's program to terminate the switch service cycle by issuing a 5 ms low pulse, called a handshake.</p> <p>The NL/HS line is configured as an open collector wired-OR line so both the LogiSwitch device and the host computer can drive the line low simultaneously to accomplish the handshake as needed.</p>
TG/LED	The TG output powers up in the high state and changes state each time the switch is activated. It may be used in applications where a push on-push off type switch would be used.

Mechanical Drawings

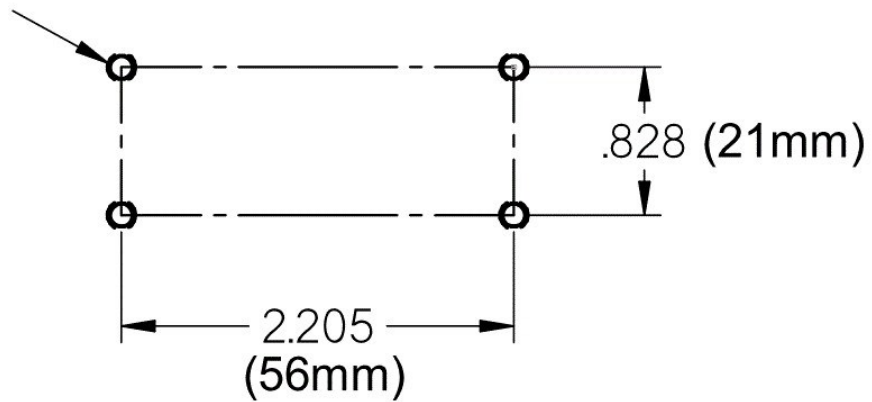


Note 1. The roller slide may be mounted in either orientation to suit the user's application.

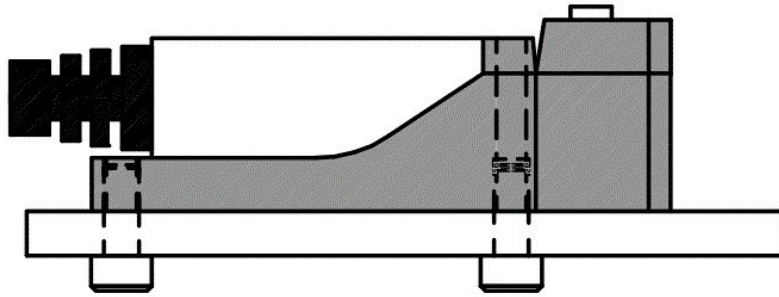
Note 2. Use M4 screws if mounting from top surface into threaded mounting holes or M5 screws if mounting from bottom.



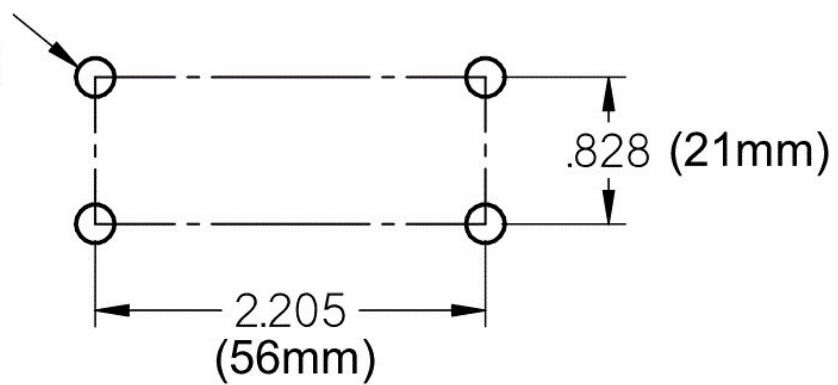
Drill & Tap
for M4 (x 4)



Panel Mounting from Upper Surface. Drill & Tap Panel for M4 Screws.



7/32" Drill for
Clearance (x 4)



Panel Mounting from Lower Surface. Use M5 Screws