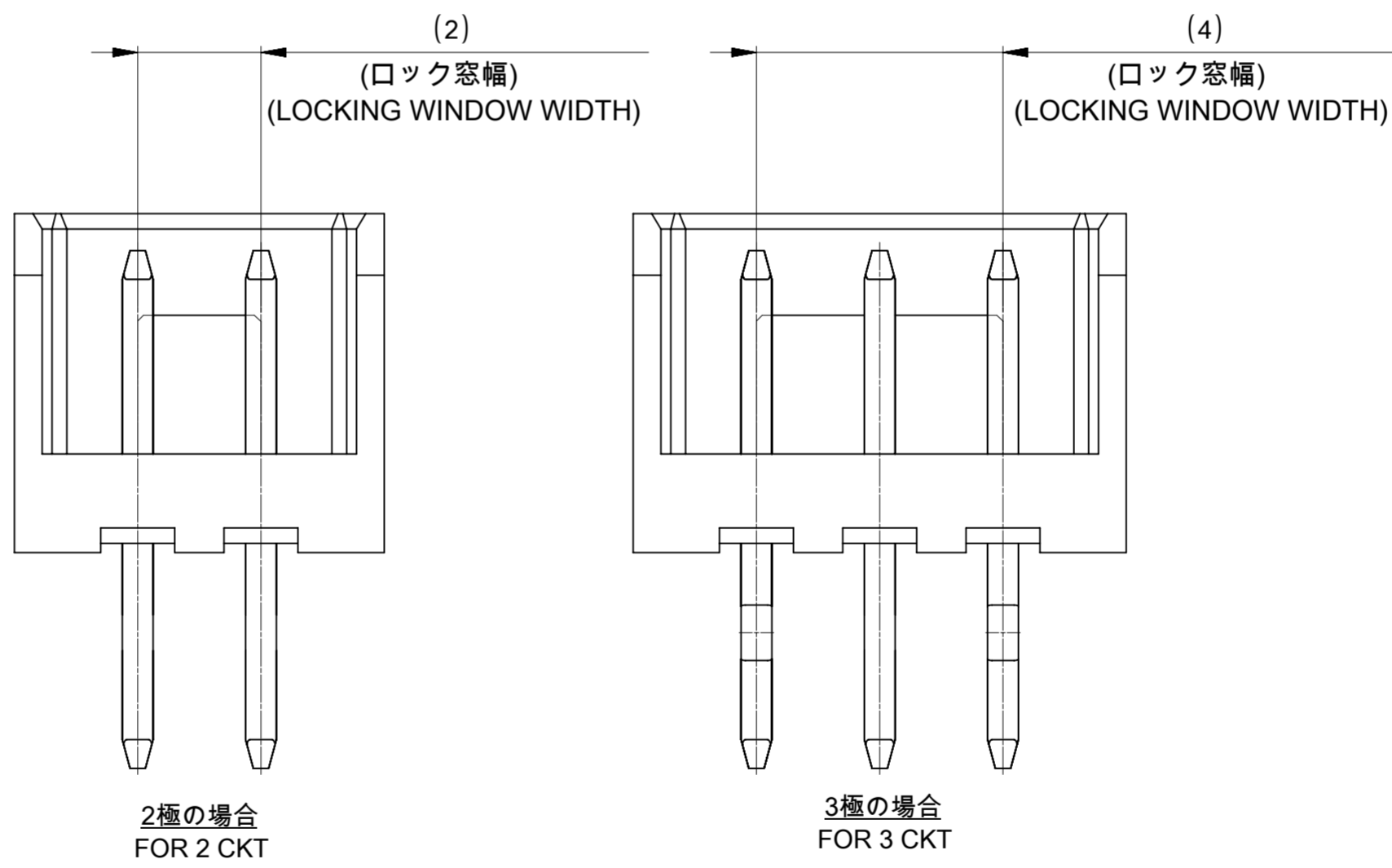
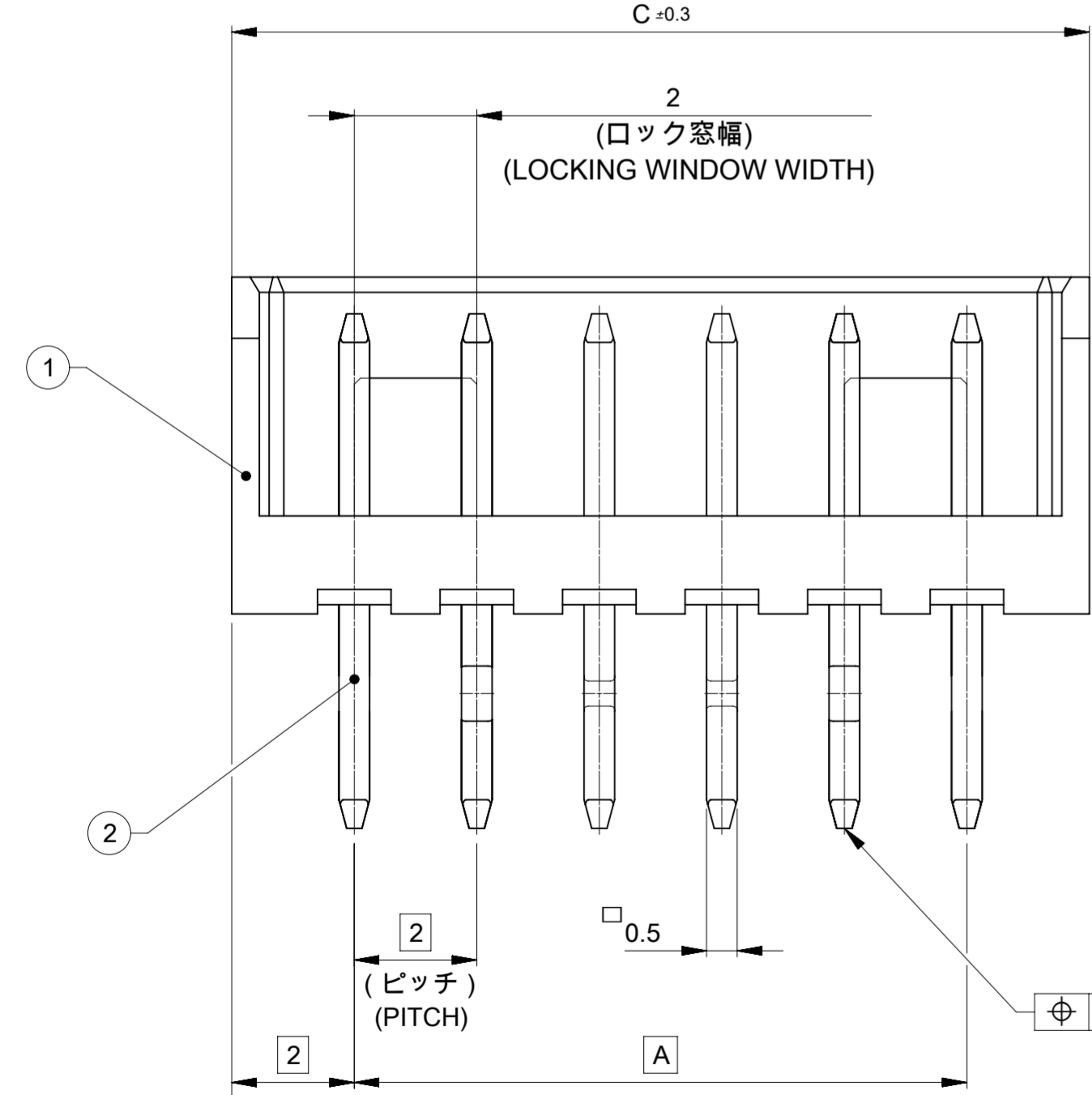
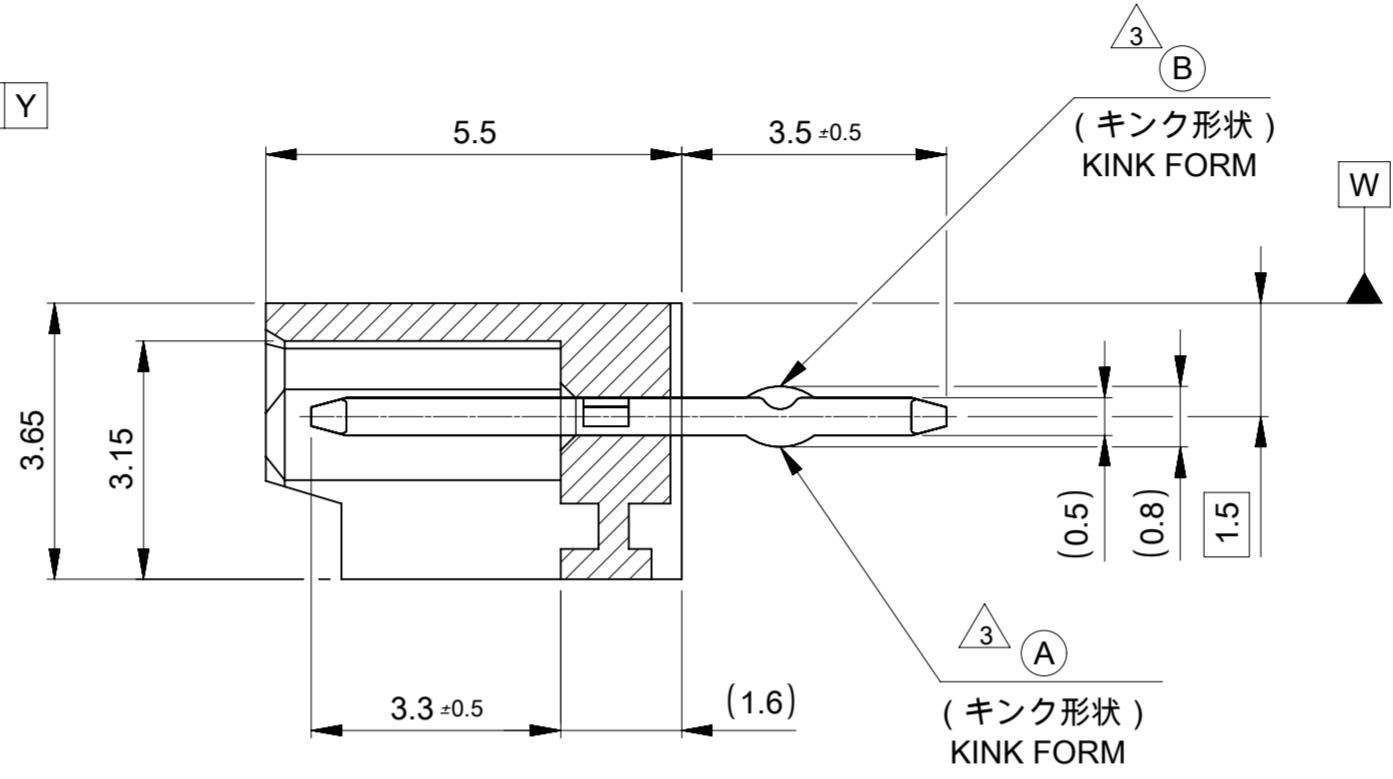


5. 基板取付穴寸法 (参考) (t = 1.6)  
RECOMMENDED P.C. BOARD HOLE DIMENSION (REFERENCE)



NOTES

- 1. 材料及仕上げ (めっき仕様) : TABLE 1参照  
MATERIAL AND FINISHES: SEE TABLE 1
  - 2. 適用製品及び各種仕様書はSHEET 2をご参考ください。  
PLEASE REFER TO SHEET 2 FOR APPLICABLE PRODUCTS AND VARIOUS SPECIFICATIONS.
  - 3. キンクは下記表の位置及び形状に付加のこと。2極はキンク無し。  
KINK TO BE APPLIED AS FOLLOWS, 2 CIRCUIT HAS NO KINK.
- | 極数 CKT               | 回路番号 CIRCUIT NO |     |     |     |     |     |     |   |
|----------------------|-----------------|-----|-----|-----|-----|-----|-----|---|
|                      | 1               | 2   | 3   | 4   | 5   | N-2 | N-1 | N |
| 6極以上 MORE THAN 6 CKT | -               | (A) | (B) | -   | -   | (B) | (A) | - |
| 5極 5CKT              | (A)             | (B) | -   | (B) | (A) |     |     |   |
| 4極 4CKT              | (A)             | (B) | (B) | (A) |     |     |     |   |
| 3極 3CKT              | (A)             | (B) | (A) |     |     |     |     |   |
- 4. 本製品は錫めっき品です。金めっきは5026030000-SD/PSD/000を御参照ください。  
THIS PRODUCT IS A TIN PLATING, PLEASE REFER TO 5026030000-SD/PSD/000 FOR GOLD PLATING.
  - 5. 本製品は極性ありません。極数番号は記載していません。  
PART-PCB間の実装には極性ありません。極数番号は記載していません。PART-TO-PCB MOUNTING IS NOT POLARIZED: NO CIRCUIT NUMBERING IS REQUIRED.

32	31.1	28	532531570	15
30	29.1	26	532531470	14
28	27.1	24	532531370	13
26	25.1	22	532531270	12
24	23.1	20	532531170	11
22	21.1	18	532531070	10
20	19.1	16	532530970	9
18	17.1	14	532530870	8
16	15.1	12	532530770	7
14	13.1	10	532530670	6
12	11.1	8	532530570	5
10	9.1	6	532530470	4
8	7.1	4	532530370	3
6	5.1	2	532530270	2
C	B	A	トレイ TRAY	極数 CKT
			材料番号 MATERIAL NO	

THIS DRAWING CONTAINS INFORMATION THAT IS PROPRIETARY TO MOLEX ELECTRONIC TECHNOLOGIES, LLC AND SHOULD NOT BE USED WITHOUT WRITTEN PERMISSION

DIMENSION UNITS	SCALE	CURRENT REV	DESC:
mm	NTS	2019/09/24	REDRAWN AND REVISED
GENERAL TOLERANCES (UNLESS SPECIFIED)			
ANGULAR TOL	± 3.0°	EC NO: 636761	
4 PLACES	± 0.2	DRWN:	HUSSIN
3 PLACES	± 0.2	CHK'D:	SAKIYAMA
2 PLACES	± 0.2	APPR:	KOMURAKAMI
1 PLACE	± 0.2	INITIAL REVISION:	
0 PLACES	± 0.2	DRWN:	HUSSIN
DRAFT WHERE APPLICABLE MUST REMAIN WITHIN DIMENSIONS			
THIRD ANGLE PROJECTION	DRAWING	SERIES	53253

**molex**

MICRO-LATCH 2.0 WT  
VERTICAL HEADER ASSY

PRODUCT CUSTOMER DRAWING

DOCUMENT NUMBER: 532530000-SD  
DOC TYPE: PSD  
DOC PART: 000  
REVISION: A

MATERIAL NUMBER: GENERAL  
CUSTOMER: GENERAL  
SHEET NUMBER: 1 OF 2

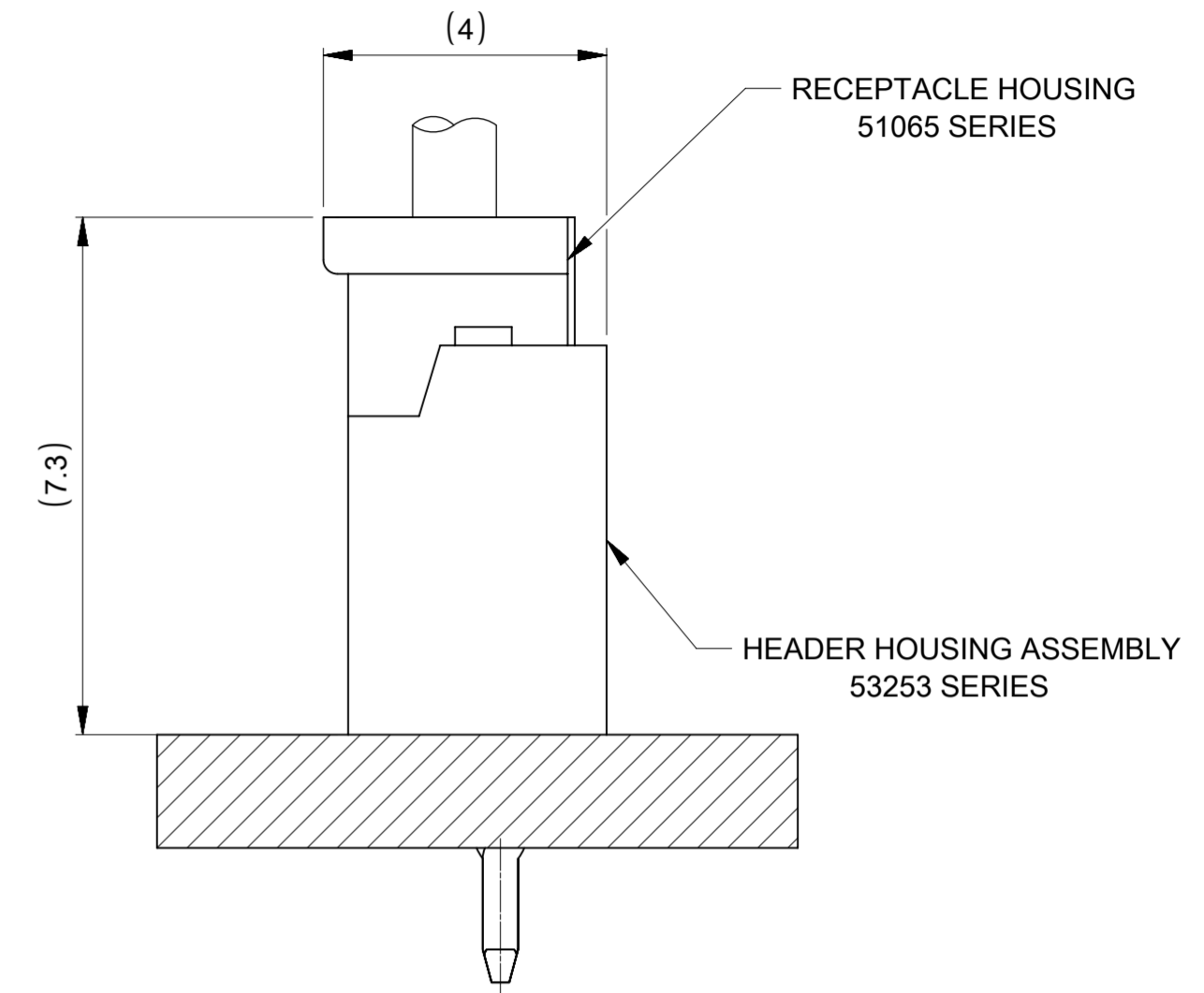
NO	部品 PART	材質 MATERIAL
1	ハウジング HOUSING	ポリアミド(PA)、UL94V-0、色: ナチュラル (ベージュ) POLYAMIDE(PA), UL94V-0, COLOR: NATURAL (BEIGE)
2	ターミナル TERMINAL	黄銅 BRASS
		下地めっき UNDER PLATING めっき PLATING
		ニッケルめっき : 0.5 micro-meters MIN NICKEL PLATING: 0.5 micro-meters MIN
		錫めっき : 1.0 micro-meter MIN リフロー処理 (前めっき) MATTE TIN: 1.0 micro-meter MIN REFLOW TREATMENT (PRE-PLATING)

△ 適用製品及び各種仕様書  
 APPLICABLE PRODUCTS AND VARIOUS SPECIFICATIONS

梱包仕様書 PACKING SPECIFICATION	PART NUMBER	SPECIFICATION NUMBER
	53253**70	SPK-53253-001

適用ハウジング APPLICABLE HOUSING	SINGLE TYPE
シリーズ番号 SERIES NO	51065
製品仕様書 PRODUCT SPECIFICATION	510650000-PS/PS/000

適用端子 APPLICABLE TERMINAL	PART NUMBER	PLATING TYPE	WIRE SIZE (AWG)
	502128*00	TIN	#24-30
	503728*00		#22-26



51065シリーズ/53253シリーズ 嵌合状態図 参考  
 51065 SERIES/ 53253 SERIES MATED DRAWING (REF)

THIS DRAWING CONTAINS INFORMATION THAT IS PROPRIETARY TO MOLEX ELECTRONIC TECHNOLOGIES, LLC AND SHOULD NOT BE USED WITHOUT WRITTEN PERMISSION											
DIMENSION UNITS	SCALE	CURRENT REV DESC: REDRAWN AND REVISED				<b>molex</b>					
mm	NTS										
GENERAL TOLERANCES (UNLESS SPECIFIED)						MICRO-LATCH 2.0 WT VERTICAL HEADER ASSY					
ANGULAR TOL	± 3.0°	EC NO: 636761				PRODUCT CUSTOMER DRAWING					
4 PLACES	± 0.2	DRWN: HHUSSIN		2019/09/24		DOCUMENT NUMBER					
3 PLACES	± 0.2	CHK'D: SAKIYAMA		2020/04/30							
2 PLACES	± 0.2	APPR: KOMURAKAMI		2020/05/01		532530000-SD		DOC TYPE	DOC PART	REVISION	
1 PLACE	± 0.2	INITIAL REVISION:						PSD	000	A	
0 PLACES	± 0.2	DRWN: HHUSSIN		2019/09/24		MATERIAL NUMBER		CUSTOMER		SHEET NUMBER	
DRAFT WHERE APPLICABLE MUST REMAIN WITHIN DIMENSIONS		APPR: KOMURAKAMI		2020/05/01							
		THIRD ANGLE PROJECTION	DRAWING	SERIES	53253	GENERAL		2 OF 2			