

REV	ECN	APP'D
A	6451	JT 12/10/09
B	6473	JT 2/8/10
C	6573	JT 8/30/10

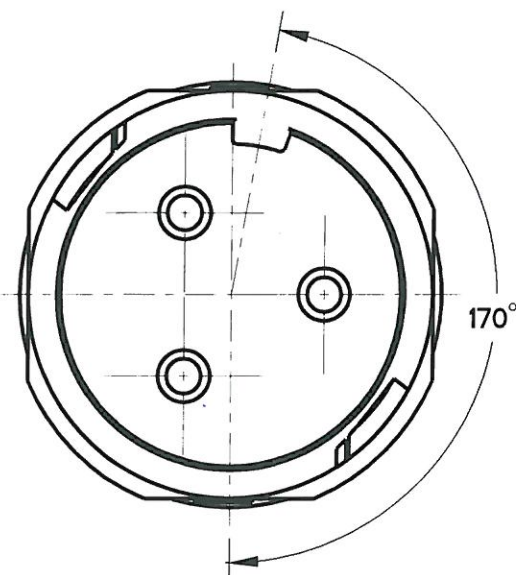
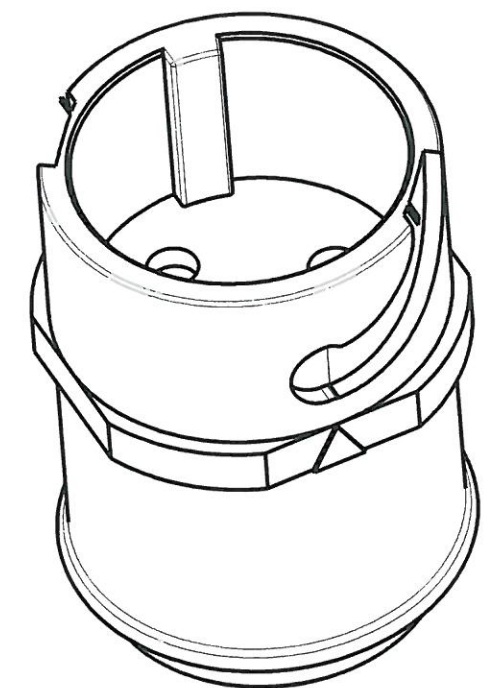
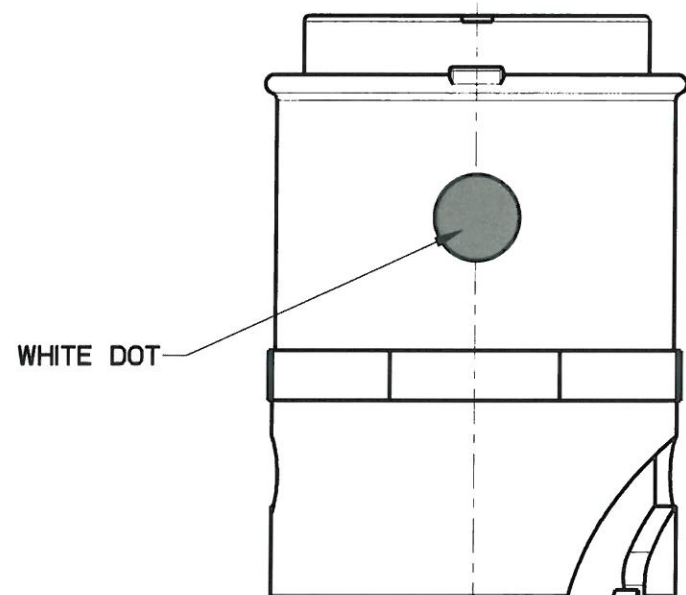
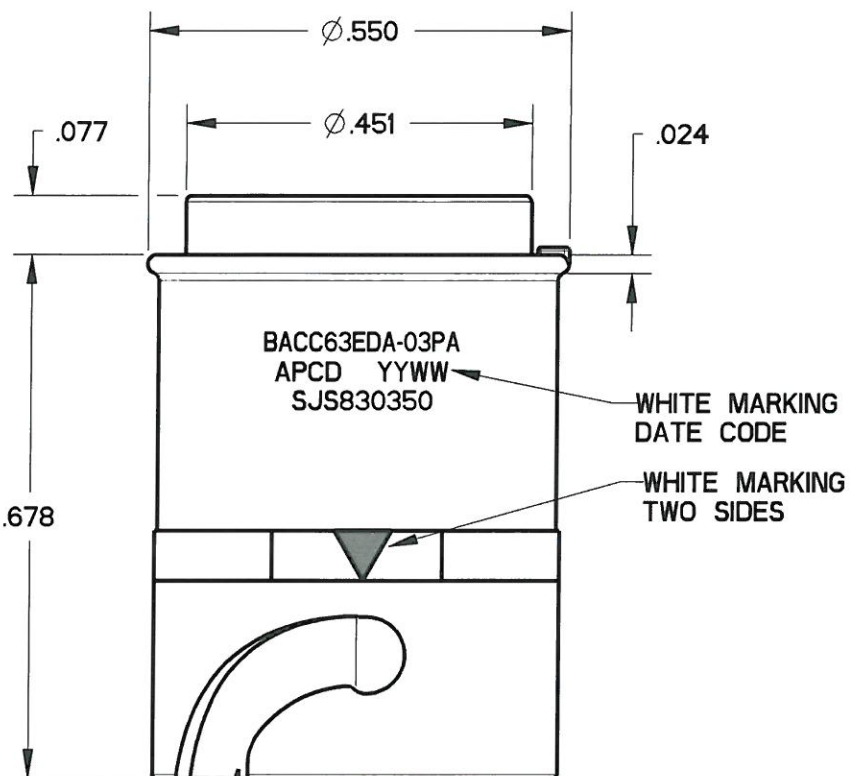
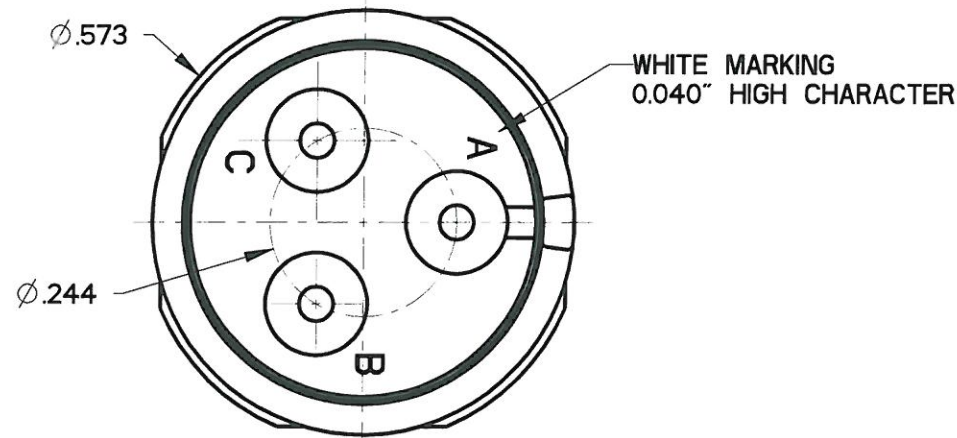


TABLE I

APCD P/N	BOEING P/N	P/N MARKING(S)	CONTACTS SUPPLIED
SJS830350	BACC63EDA-03PAH	BACC63EDA-03PA	NONE
SJS830351	BACC63EDA-03PA	SJS830350	(3) M39029/58-364

NOTES:

- MATERIALS:
HOUSING: PA6/6
CONTACT RETAINER: STAINLESS STEEL
GROMMET: SILICONE RUBBER PER A-A-59588
- MATING CONTACT: SEE TABLE I
- TEST SPECIFICATION: BACC63ED
- PART MATES WITH SJS830340
- WEIGHT: 1.9 GRAMS
- SUPPLIED WITH DUST CAP

DIMENSIONS ANSI Y14.5M UNITS: INCHES Pro/E FILE	TOLERANCES .XX ±0.01 .XXX ±0.005 ANGLES ±1.0°	PROJECTION 	Amphenol Pcd SPECIFICATION DRAWING ENGR Frank.Li 02-Mar-09		TITLE BACC63EDA-03PA 3P SZ16 INLINE ALT BLACK RECEPTACLE FOR SJS		
			ORIGINAL 	THIS DOCUMENT CONTAINS PROPRIETARY INFORMATION WHICH IS THE CONFIDENTIAL PROPERTY OF AMPHENOL PCD INC., BEVERLY, MA		CHKD 8/30/10 APPD 8/30/10	SIZE B DWG NO. SJS830350_CE REV C

SJS830350

SJS830350