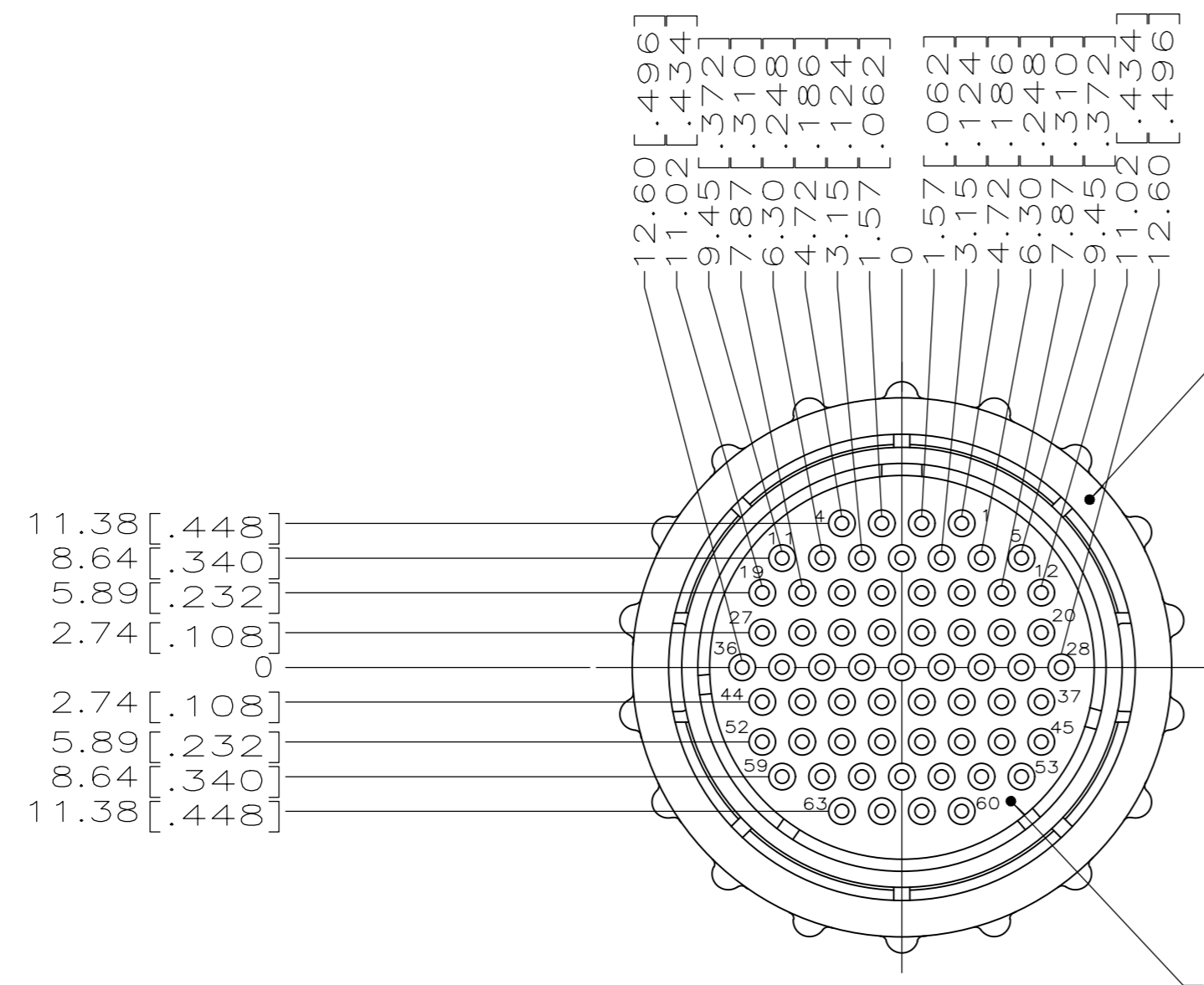


THIS DRAWING IS UNPUBLISHED. RELEASED FOR PUBLICATION  
 © COPYRIGHT - By - ALL RIGHTS RESERVED.

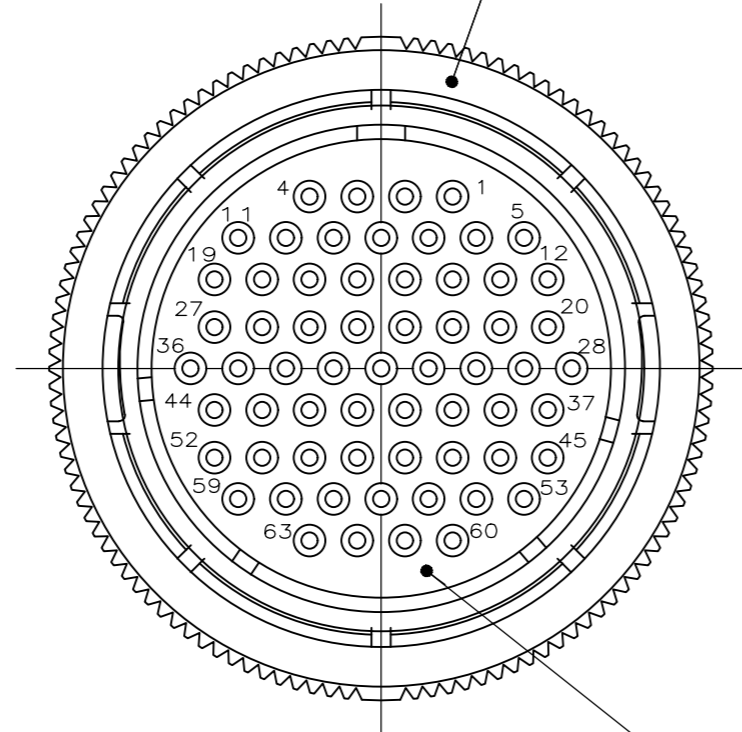
REVISIONS					
P	LTR	DESCRIPTION	DATE	DWN	APVD
K		REVISED PER ECR-16-017870	20APR2017	BDA	MZ
L		REVISED PER ECO-18-007221	21MAY2018	KH	MZ



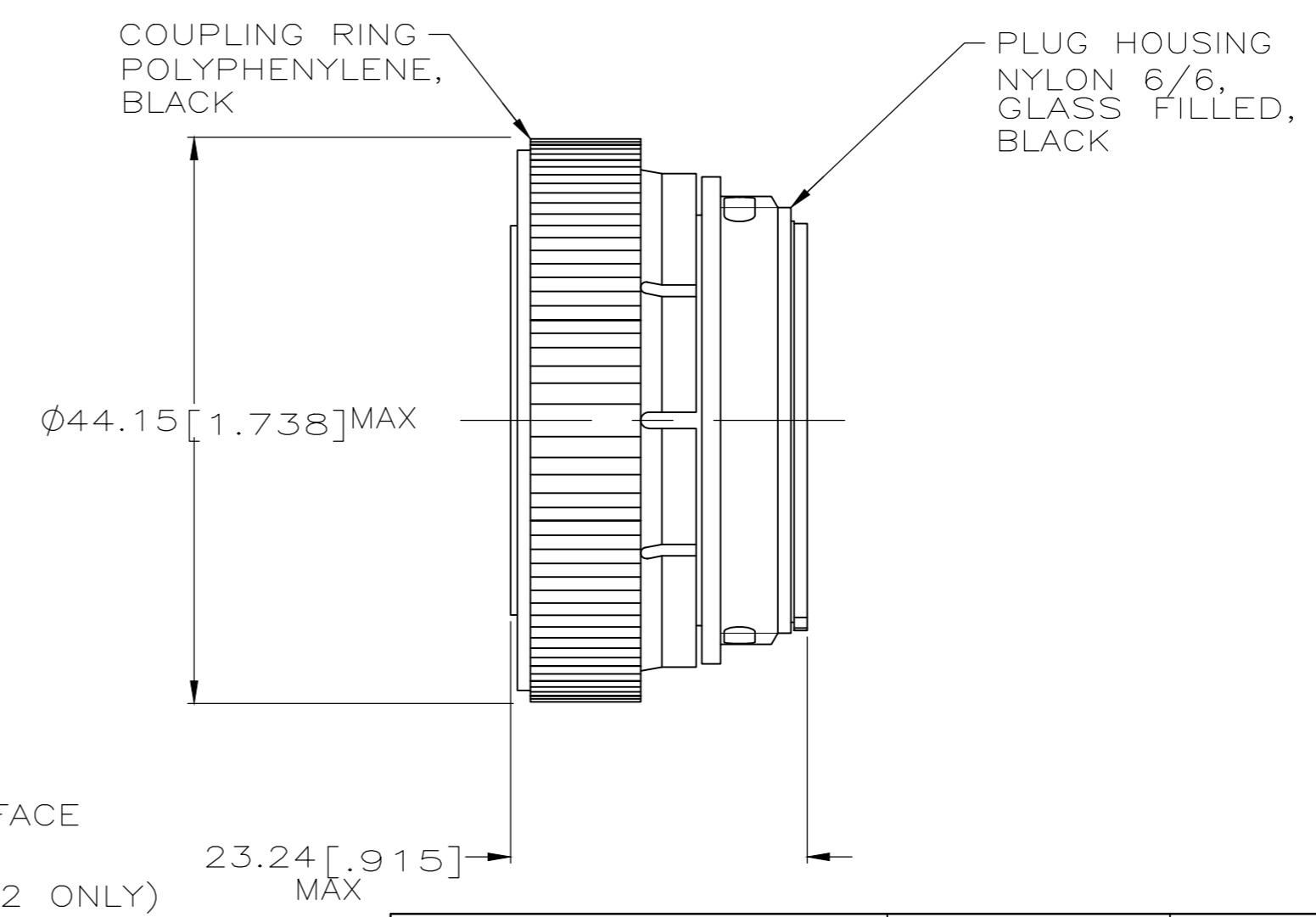
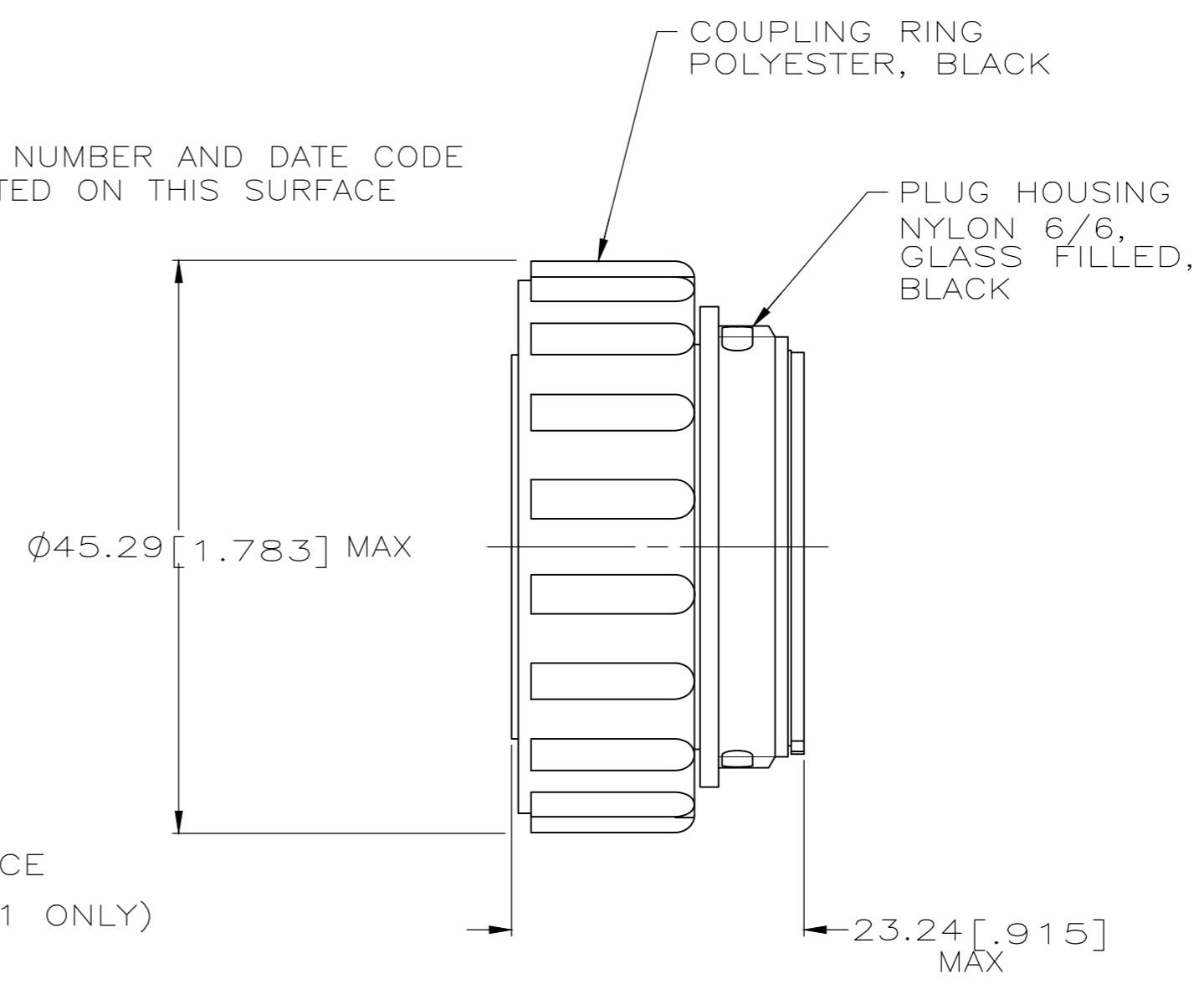
PART NUMBER AND DATE CODE LOCATED ON THIS SURFACE

MATING FACE (-1 ONLY)

AMP AND PART NO THIS SURFACE



MATING FACE (-2 ONLY)



OBSOLETE	205842-2
	205842-1
	PART NUMBER

- CONTACT CAVITIES IDENTIFIED BY CHARACTERS ON FRONT AND REAR FACES OF CONNECTOR.
- WILL ACCEPT (63) SIZE 20 SOCKET CONTACTS.

THIS DRAWING IS A CONTROLLED DOCUMENT.		DWN A. STAUB BG 4 APR 91	TE Connectivity Ltd.	
DIMENSIONS: mm [INCHES]		CHK W. LENKER 23 JUL 92		
TOLERANCES UNLESS OTHERWISE SPECIFIED:		APVD K. BEAVER 23 JUL 92	NAME	
0 PLC ± -		PRODUCT SPEC	108-10024	
1 PLC ± -		APPLICATION SPEC	-	
2 PLC ± 0.13 [.005]		WEIGHT	0	
3 PLC ± -		SCALE	A2 00779 C=205842	
4 PLC ± -		SHEET	1 OF 1	
ANGLES ± -		REV	L	
FINISH		CUSTOMER DRAWING		
SEE CALLOUTS				