

TIN LEAD PART NUMBER  
 Part number: **HM1L52ZDP499H6P**

LEAD FREE PART NUMBER  
 Part number: **HM1L52ZDP499H6PLF**

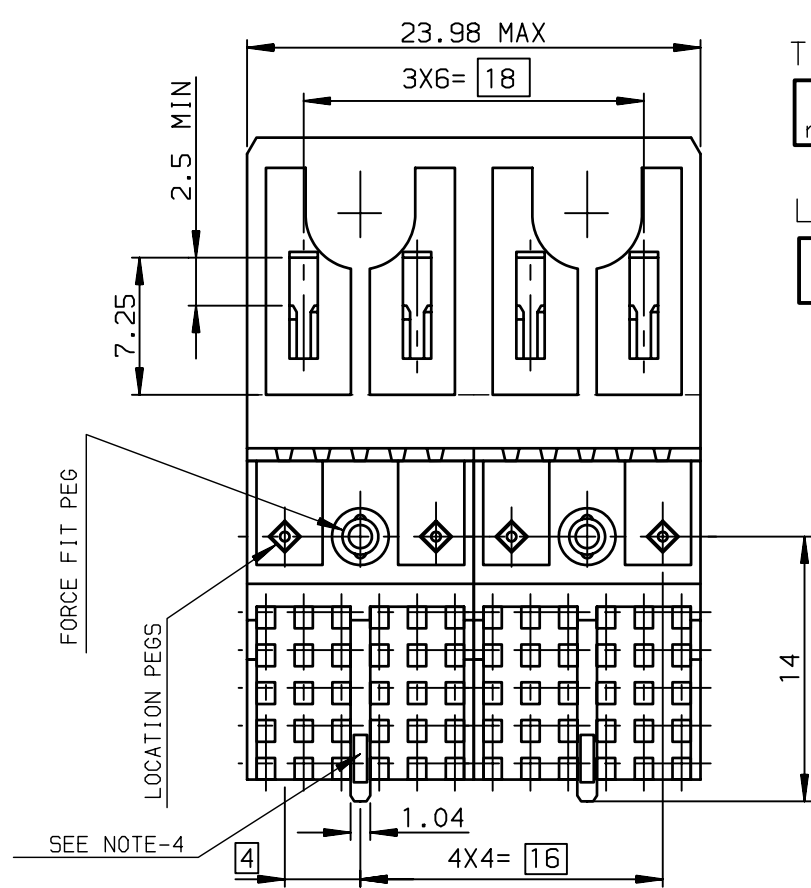
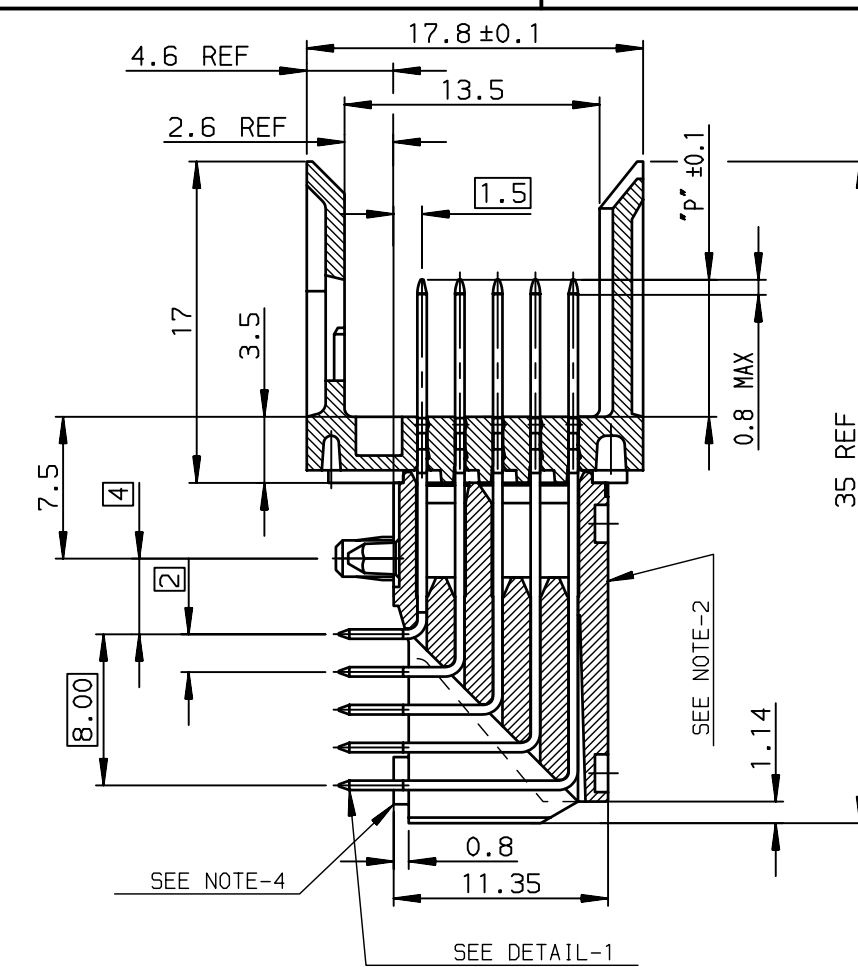
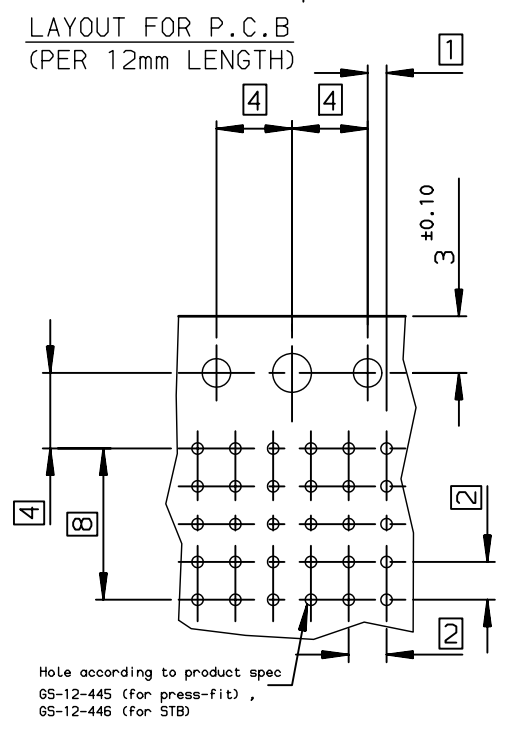
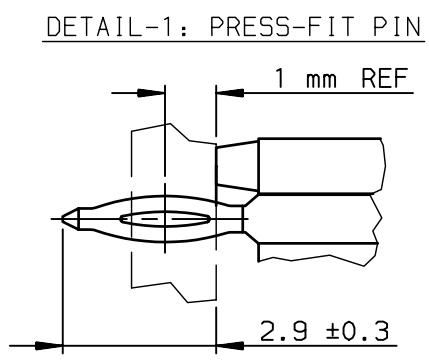
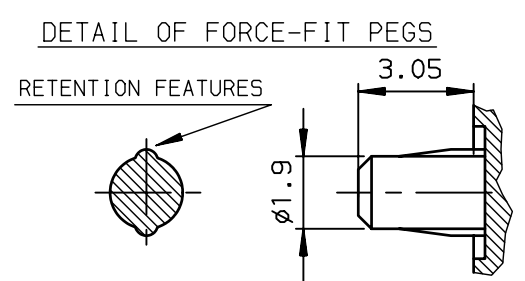


TABLE-1

	CONTACT CODE		QTE
	DIM-P	DIM-D	
01	5.00		01
02	5.75		-
03	6.50		51
04	7.25		08
19	8.00		--



**SPECIFIC DATAS:** SELECTIVE CONTACT LOADING  
 NOTE-2: FLAT ROCK INSERTION TOOLING, ON ALL THIS SURFACE  
 NOTE-3: EYE OF THE NEEDLE PRESS FIT PIN TYPE  
 NOTE-4: REAR CENTRAL SUPPORT FOR BETTER ASSY ON PCB  
 NOTE-5: IF SUFFIX "P" IS ADDED IN P/N PACKAGING IS IN TRAYS BUT CONNECTOR MARKING IS WITHOUT "P"  
 EXAMPLE: HM1XXXXXXXXXHP, MARKED HM1XXXXXXXXXH6

rev	ecn no	dr	date
A	LS06-0019	MLE	2006/03/27
B	LS06-0097	LGO	2006/07/21
C	LS07-0184	MLE	2007/07/27
-	-	-	-
-	-	-	-
-	-	-	-

FIGURE-1

	1	2	3	4	5	6	7	8	9	10	11	12
E	03	03	03	03	03	03	03	03	03	03	03	03
D	03	03	03	03	03	03	03	03	03	03	03	03
C	03	03	03	03	03	03	03	03	03	03	03	03
B	03	03	03	03	03	03	03	03	03	03	03	03
A	04	04	04	03	03	01	03	04	04	04	04	04

GENERAL CHARACTERISTICS AND ROHS INFORMATIONS:  
 SEE PRODUCT SPECIFICATION GS-12-445

www.fciconnect.com

surface ISO 1302 ✓ tolerance std ISO 406 ISO 1101 projection mm  
 TOLERANCES UNLESS OTHERWISE SPECIFIED

Dr	LENOIR	26/08/32	ANGULAR	0.X	±0.1	size	A3	Scale	2.5
Eng	LENOIR	2006/03/27	LINEAR	0.XX	±0.1	ECN	LS07-0184		
Chr	LEGARE	2006/03/27	0.XX' ±2'	0.XXX	±0.1	Spec ref	-		
Appr	LEGARE	2006/03/27	Product family	METRAL					

title: METRAL RA HDR 5 ROW PFIT  
 2MOD - Specific loading  
 catalog no: -

dwg no: C-8626-11310  
 sheet 1 of 1

Copyright FCI. **FCI**