

2120336-1 ✓ ACTIVE

MotorMan

TE Internal #: 2120336-1

Circular Connector Caps & Covers, Protective Cover, Sealable, -40

- 85 °C, MotorMan

[View on TE.com >](#)



Connectors > Circular Connectors > Circular Connector Accessories > Circular Connector Caps & Covers



Connector Cover Type: **Protective Cover**

Sealable: **Yes**

Operating Temperature Range: **-40 – 85 °C**

Features

Product Type Features

Connector Cover Type	Protective Cover
Sealable	Yes

Body Features

Primary Product Material	PA 66 GF25
Primary Product Color	Black

Dimensions

Product Length	28.5 mm[1.12 in]
----------------	------------------

Usage Conditions

Operating Temperature Range	-40 – 85 °C
-----------------------------	-------------

Packaging Features

Packaging Quantity	100
Packaging Method	Package/Box

Product Compliance

[For compliance documentation, visit the product page on TE.com>](#)



EU RoHS Directive 2011/65/EU	Compliant
EU ELV Directive 2000/53/EC	Compliant
China RoHS 2 Directive MIIT Order No 32, 2016	No Restricted Materials Above Threshold
EU REACH Regulation (EC) No. 1907/2006	<p>Current ECHA Candidate List: JUNE 2023 (235)</p> <p>Candidate List Declared Against: JAN 2023 (233)</p> <p>SVHC > Threshold: 1,6,7,8,9,14,15,16,17,17,18,18-dodecachloropentacyclo [12.2.1.16,9.02,13.05,10]octadeca-7,15-diene (Dechlorane Plus) (14.17% in Component Part)</p> <p>Article Safe Usage Statements: Wash thoroughly after handling. Do not handle until all safety precautions have been read and understood. Recycle if possible and dispose of the article by following all applicable governmental regulations relevant to your geographic location.</p>
Halogen Content	Not Low Halogen - contains Br or Cl > 900 ppm.
Solder Process Capability	Not applicable for solder process capability

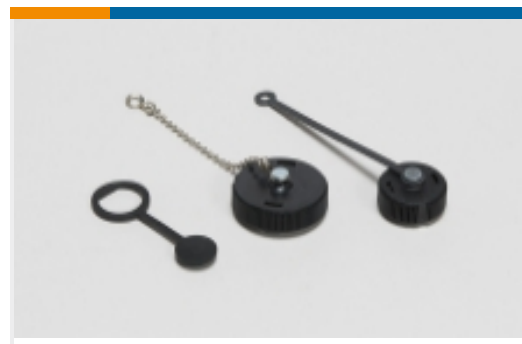
Product Compliance Disclaimer

This information is provided based on reasonable inquiry of our suppliers and represents our current actual knowledge based on the information they provided. This information is subject to change. The part numbers that TE has identified as EU RoHS compliant have a maximum concentration of 0.1% by weight in homogenous materials for lead, hexavalent chromium, mercury, PBB, PBDE, DBP, BBP, DEHP, DIBP, and 0.01% for cadmium, or qualify for an exemption to these limits as defined in the Annexes of Directive 2011/65/EU (RoHS2). Finished electrical and electronic equipment products will be CE marked as required by Directive 2011/65/EU. Components may not be CE marked. Additionally, the part numbers that TE has identified as EU ELV compliant have a maximum concentration of 0.1% by weight in homogenous materials for lead, hexavalent chromium, and mercury, and 0.01% for cadmium, or qualify for an exemption to these limits as defined in the Annexes of Directive 2000/53/EC (ELV). Regarding the REACH Regulation, the information TE provides on SVHC in articles for this part number is based on the latest European Chemicals Agency (ECHA) 'Guidance on requirements for substances in articles' posted at this URL: <https://echa.europa.eu/guidance-documents/guidance-on-reach>

Compatible Parts



Also in the Series | **MotorMan**



Circular Connector Caps & Covers(1)



Circular Connector Contact Inserts(2)



Connector Seals & Cavity Plugs(2)



Connector Strain Relief(3)



Rectangular Caps & Covers(1)



Rectangular Connector Hardware(2)



Rectangular Connector Hoods & Bases (4)



Rectangular Connector Locking(2)

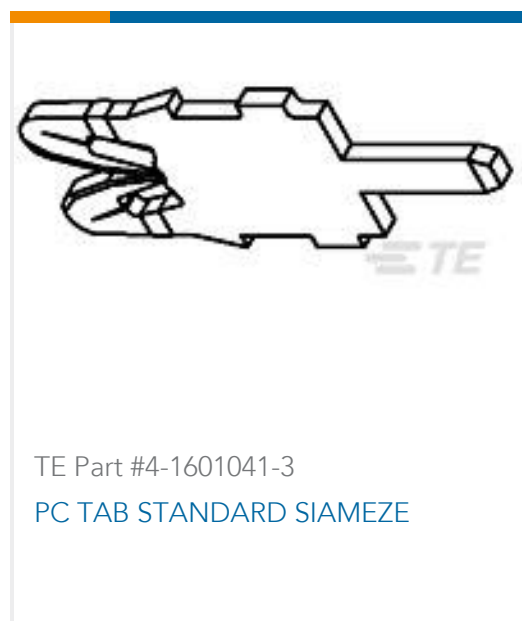


Rectangular Contact Inserts(5)

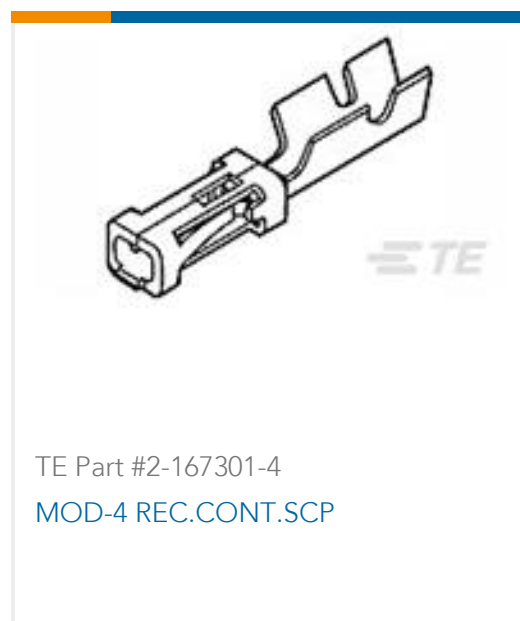


Rectangular Power Connectors(2)

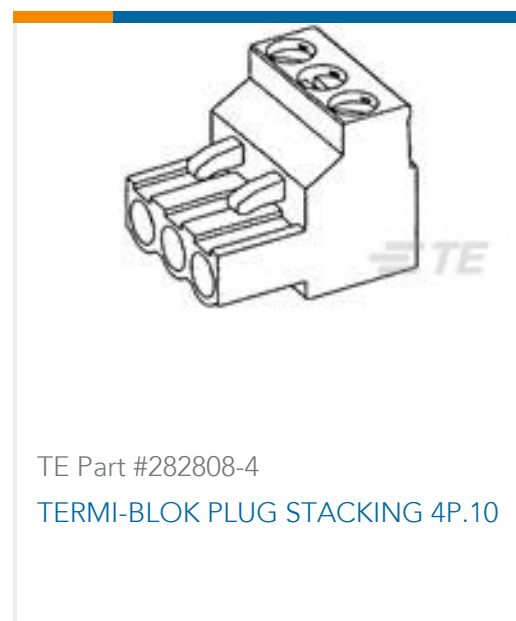
Customers Also Bought



TE Part #4-1601041-3
PC TAB STANDARD SIAMEZE



TE Part #2-167301-4
MOD-4 REC.CONT.SCP



TE Part #282808-4
TERMI-BLOK PLUG STACKING 4P.10



TE Part #2120340-1
PLASTIC HOOD / KIT

Documents

[Product Drawings](#)
[PROTECTION COVER](#)

English

[CAD Files](#)
[3D PDF](#)

3D

[Customer View Model](#)



[ENG_CVM_CVM_2120336-1_D_c-2120336-1-d.2d_dxf.zip](#)

English

Customer View Model

[ENG_CVM_CVM_2120336-1_D_c-2120336-1-d.3d_igs.zip](#)

English

Customer View Model

[ENG_CVM_CVM_2120336-1_D_c-2120336-1-d.3d_stp.zip](#)

English

By downloading the CAD file I accept and agree to the [Terms and Conditions](#) of use.

Product Environmental Compliance

TE Material Declaration

English