

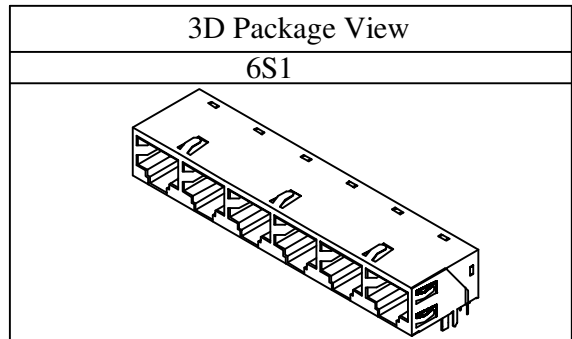


# RJ45 Integrated Connector

10/100 Base-TX, 1 x 6 Port, Through Hole

**Features:**

1. Meets IEEE 802.3 and ANSI X3.263
2. Operating Temperature: 0°C to +85°C
3. 1500Vrms Isolation
4. Enhanced Common Mode Attenuation for maximum EMI Suppression
5. Full Product Qualification Tests



Product Selection											
#	P/N	Row X Port	Pack age Style	Schematic Identification							
				Auto Xfmr	Input Pins-out		Output Pins-out		RTN	Turn Ratio	SCH #
1	TIC-L019-16	1x6	6S1	X	7,6,8	1,3,2	3,7,8,6	1,4,5,2	Shd	1ct:1ct	3
2	TIC-L065-16	1x6	6S1		1,2,3	6,7,8	1,4,5,2	3,7,8,6	Shd	1ct:1ct	18

Package Identification				
Package #	Package Style	Size LWH		Package Identification
		inches	mm	
6S1	1 x 6 Port	3.38 x 0.850 x 0.530	85.88 x 21.6 x 12.45	7 Spring taps, 6 ports, 8 pins each, no LED Plastic Mounting tap - Shield Mounting GND tap

Electrical Specification @ 25°C								
Insertion Loss (dB Max)	Return Loss (dB Min)			CMRR (dB Min)	Crosstalk (dB Min)	OCL (m H Min)	Hipot (Vrms)	Impedance (Ω)
	1-100 MHz	1-30 MHz	60 MHz	80 MHz	1-100 MHz	1-100 MHz	8mA Dc Bias	1 minute
1	-18	-16	-12	-30	-30	350	1500	100

Package Information				
Quantity		Weight		Size
qty/tray (pcs)	qty/box (pcs)	weight/pcs (g)	weight/box (kg)	box size (cm)
21	315	28.15	11.9	39.0x29.0x34.0

Product Qualification Tests			
Test #	Test Description	Test #	Test Description
1	Product Performance : Complete Electrical Test, Mechanical Measurements and Visual Inspection	6	Mechanical Shock
		7	Durability (Repeated mating / unmating)
2	Low Level Contact Resistance	8	Solderability
3	Dielectric Strength	9	Thermal Shock
4	Insulation Resistance	10	Humidity Temperature Cycling
5	Vibration		

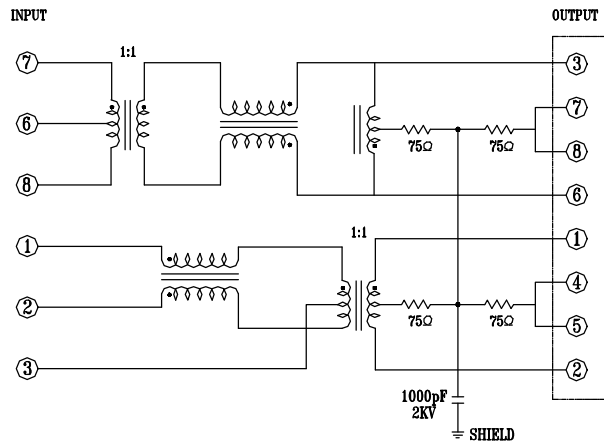


# RJ45 Integrated Connector

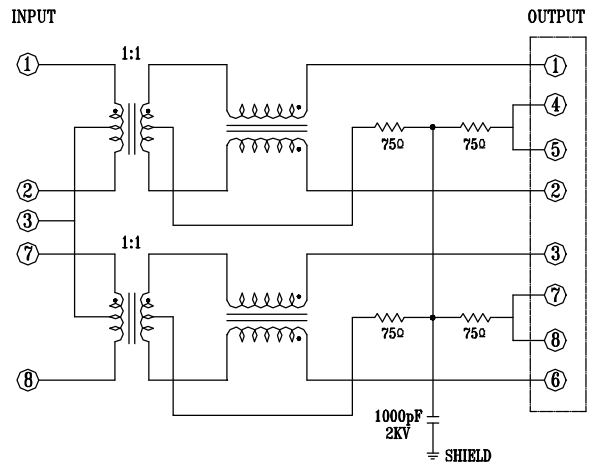
## 10/100 Base-TX, 1 x 6 Port, Through Hole

Mechanical Material Specification									
Contact Material	Contact						Housing & Insert	Shell	
	Contact Finish							Front	Back
	RJ Upper Contact			RJ Lower Contact					
	Contact Area	Solder Tail Area	Under-plating	Contact Area	Solder Tail Area	Under-plating			
Phosphor Bronze	Gold	Tin/Lead (9:1)	Nickel	Tin/Lead (9:1)	Tin/Lead (9:1)	Nickel	Thermoplastic Nylon 6T, Black	Stainless SUS 304	Stainless SUS 304
0.35 mm thick	30 μ" Min.	100 μ" Min.	50 μ" Min.	100 μ" Min.	100 μ" Min.	50 μ" Min.	UL 94V-0	0.25 mm thick	0.20 mm thick

Schematic 3



Schematic 18

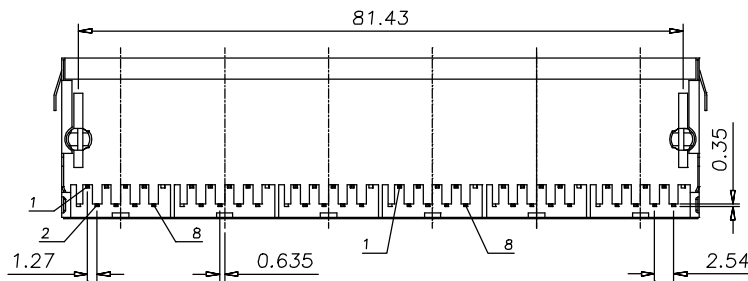
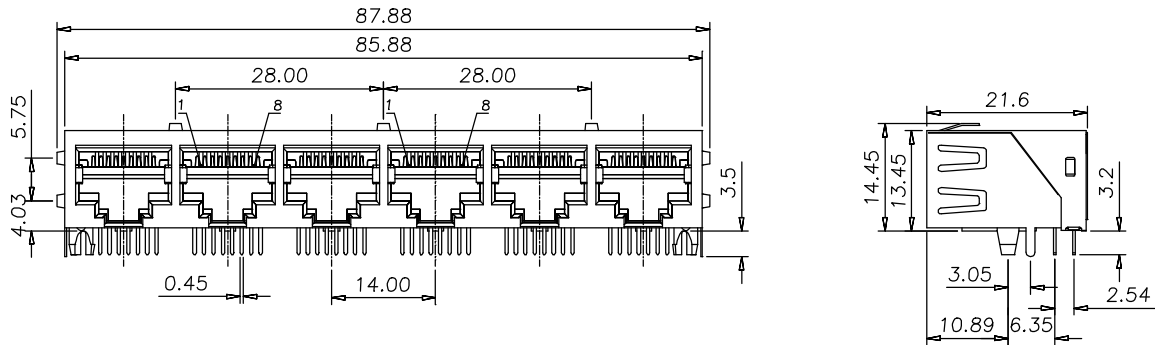




# RJ45 Integrated Connector

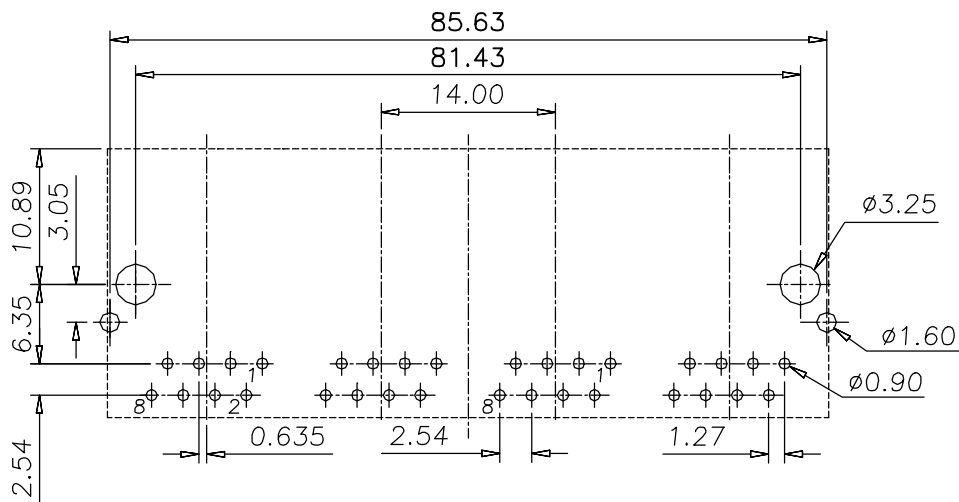
## 10/100 Base-TX, 1 x 6 Port, Through Hole

Package 6S1



GENERAL TOLERANCE

- .x ±0.38
- .xx ±0.25
- .xxx ±0.13



RECOMMENDED P.C.B. LAYOUT  
(COMPONENT SIDE)